

Qty. Description

1 CUE3X380-500V IP55 7,5KWSTO DC



Note! Product picture may differ from actual product

Product No.: [99616789](#)

CUE is a complete range of external frequency converters designed for speed control of a wide range of Grundfos pumps. CUE has a built-in PI controller and offers the same functionality and user-interface as Grundfos E-pumps. CUE solutions can thus be seen as an extension to the E-pump range.

By choosing a CUE-solution, you will get the following benefits:

- Grundfos E-pump functionality and user-interface
- application- and pump-family-related functions
- increased comfort compared to fixed-speed pumps
- very easy installation and commissioning compared to standard frequency converters
- speed control of pumps up to 250 kW
- speed control of pumps installed in potentially explosive environments.

CUE offers the following inputs and output:

- RS-485 GENIbus
- an analog 0-10 V input for external setpoint
- an analog 0/4-20 mA input for sensor
- four digital inputs for various functions, for instance external start/stop
- two signal relays (C/NO/NC).

Accessories:

Input/output add-on board

Provides additional input:

- one 0/4-20 mA analog input for an additional sensor
- one 0-20 mA analog output
- two inputs for Pt100/Pt1000 temperature sensors, for instance for bearing monitoring.

Motor filters:

For reduction of dU/dt and peak voltages to the motor windings and for reduction of the acoustic noise generated in the motor, a number of motor filters are offered:

- dU/dt filters , 11-250 kW
- Sine wave filters, 0.55-250 kW.

Technical:

Approvals on nameplate: CE, CULUS, C-TICK

Installation:

Range of ambient temperature: 0 .. 45 °C

Relative humidity: 5-95 %

Electrical data:

Rated power - P2: 7.5 kW
 Mains frequency: 50 / 60 Hz
 Rated voltage [V]: 3 x 380-440/441-500 V
 Rated current: 16-14.5 A
 Maximum current consumption: 16 A
 Efficiency at full load: 97 %
 Enclosure class (IEC 34-5): IP55



Company name: Pump Sales Direct

Created by:

Phone:

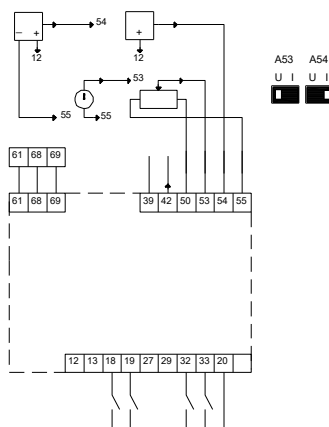
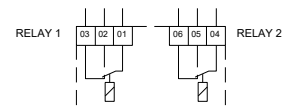
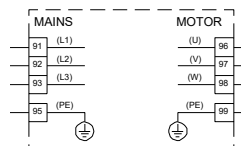
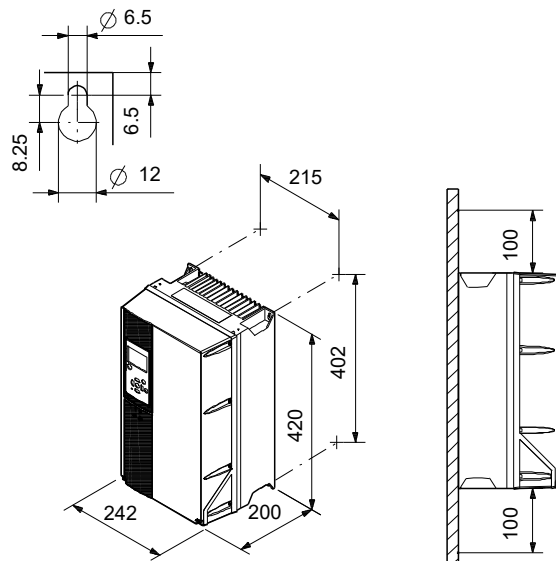
Date: 23/06/2022

| Qty. | Description |
|------|-------------|
|------|-------------|

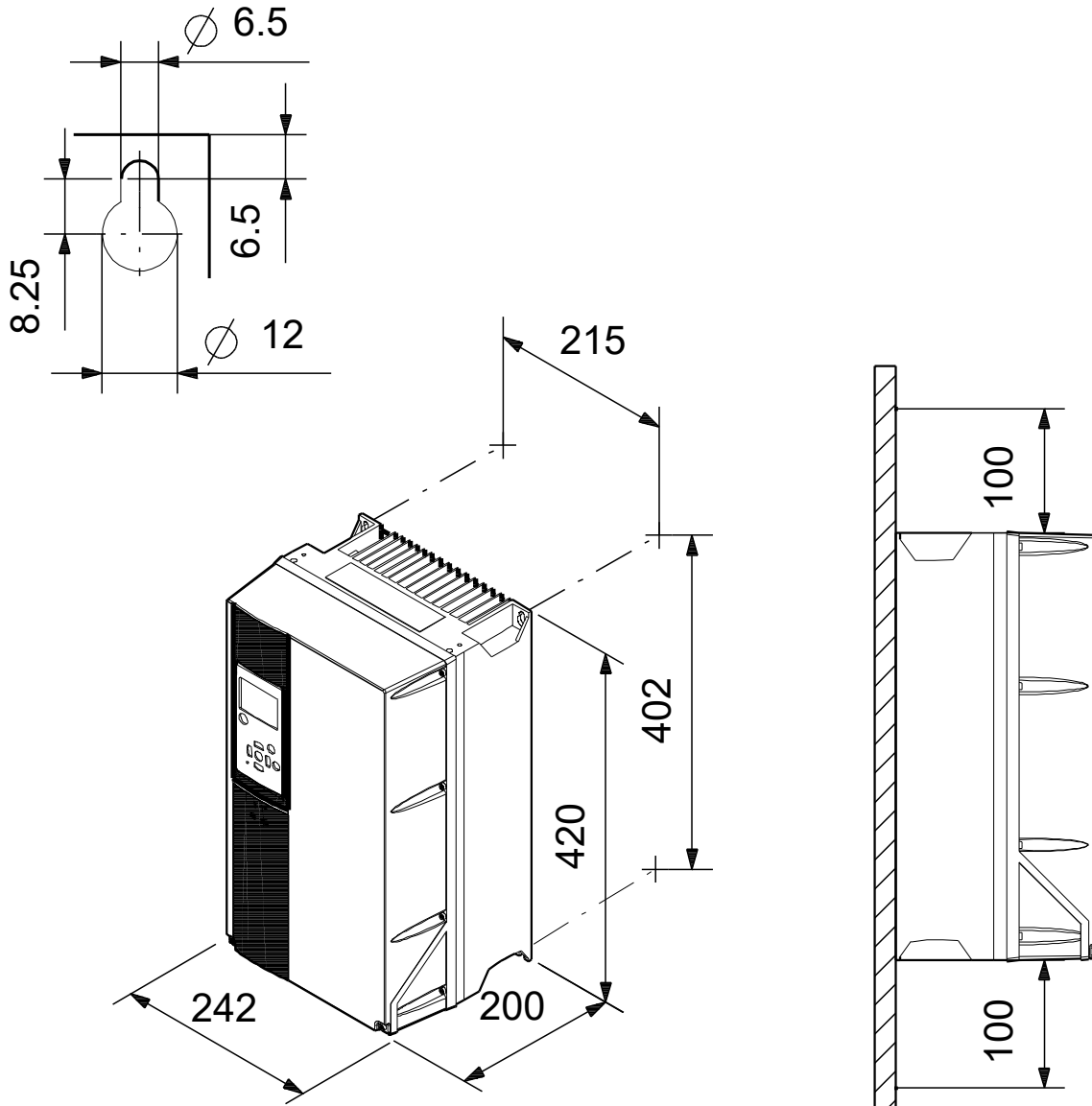
| | |
|--|--|
| | <p data-bbox="194 333 288 367">Others:</p> |
|--|--|

| | |
|--|--|
| | <p data-bbox="194 362 630 400">Net weight: 14 kg</p> |
|--|--|

| Description | Value |
|-------------------------------|-----------------------------------|
| General information: | |
| Product name: | CUE3X380-500V IP55 7,5KWSTO DC |
| Product No: | 99616789 |
| EAN number: | 5713831975007 |
| Technical: | |
| Approvals on nameplate: | CE, CULUS, C-TICK |
| Installation: | |
| Range of ambient temperature: | 0 .. 45 °C |
| Relative humidity: | 5-95 % |
| Mounted on: | Wall |
| Electrical data: | |
| Rated power - P2: | 7.5 kW |
| Mains frequency: | 50 / 60 Hz |
| Rated voltage [V]: | 3 x 380-440/441-500 V |
| Rated current: | 16-14.5 A |
| Maximum current consumption: | 16 A |
| Efficiency at full load: | 97 % |
| Enclosure class (IEC 34-5): | IP55 |
| Built-in motor protection: | YES |
| Thermal protec: | external |
| Cable length: | 150/300 m |
| Others: | |
| Net weight: | 14 kg |

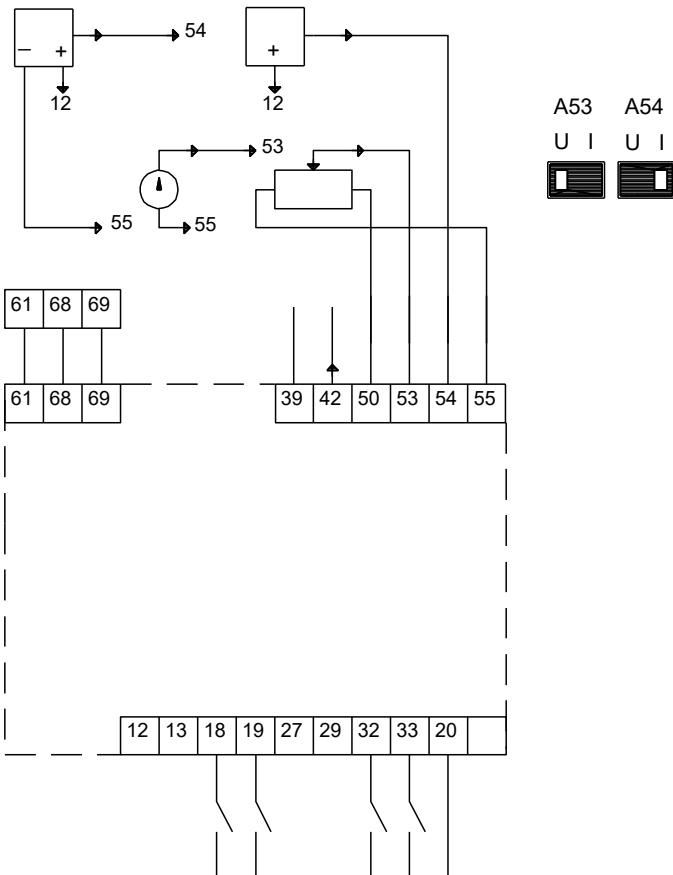
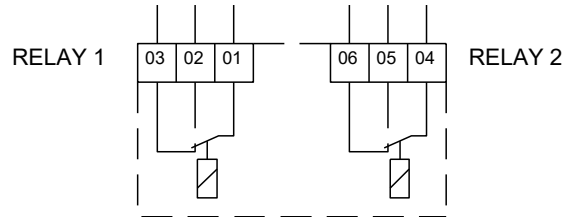
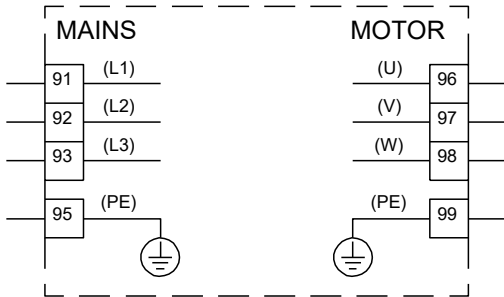


99616789 CUE3X380-500V IP55 7,5KWSTO DC



Note! All units are in [mm] unless others are stated.
Disclaimer: This simplified dimensional drawing does not show all details.

99616789 CUE3X380-500V IP55 7,5KWSTO DC



Note! All units are in [mm] unless others are stated.



Company name: Pump Sales Direct

Created by:

Phone:

Date: 23/06/2022

Order Data:

Product name: CUE3X380-500V IP55 7,5KWSTO DC

Amount: 1

Product No: 99616789

Total: Price on request
