


Qty.	Description
1	<p data-bbox="199 327 619 360"><b>CUE3X380-500V IP55 4,0KWSTO DC</b></p> <div data-bbox="320 416 459 674" style="text-align: center;">  </div> <p data-bbox="592 680 1062 707" style="text-align: center;"><b>Note! Product picture may differ from actual product</b></p> <p data-bbox="199 712 464 741">Product No.: <a href="#">99616787</a></p> <p data-bbox="199 772 1422 851">CUE is a complete range of external frequency converters designed for speed control of a wide range of Grundfos pumps. CUE has a built-in PI controller and offers the same functionality and user-interface as Grundfos E-pumps. CUE solutions can thus be seen as an extension to the E-pump range.</p> <p data-bbox="199 857 876 887">By choosing a CUE-solution, you will get the following benefits:</p> <ul data-bbox="236 889 1190 1066" style="list-style-type: none"> <li>- Grundfos E-pump functionality and user-interface</li> <li>- application- and pump-family-related functions</li> <li>- increased comfort compared to fixed-speed pumps</li> <li>- very easy installation and commissioning compared to standard frequency converters</li> <li>- speed control of pumps up to 250 kW</li> <li>- speed control of pumps installed in potentially explosive environments.</li> </ul> <p data-bbox="199 1068 660 1097">CUE offers the following inputs and output:</p> <ul data-bbox="236 1099 1021 1245" style="list-style-type: none"> <li>- RS-485 GENIbus</li> <li>- an analog 0-10 V input for external setpoint</li> <li>- an analog 0/4-20 mA input for sensor</li> <li>- four digital inputs for various functions, for instance external start/stop</li> <li>- two signal relays (C/NO/NC).</li> </ul> <p data-bbox="199 1274 341 1303">Accessories:</p> <p data-bbox="199 1305 481 1335">Input/output add-on board</p> <p data-bbox="199 1337 474 1366">Provides additional input:</p> <ul data-bbox="236 1368 1190 1451" style="list-style-type: none"> <li>- one 0/4-20 mA analog input for an additional sensor</li> <li>- one 0-20 mA analog output</li> <li>- two inputs for Pt100/Pt1000 temperature sensors, for instance for bearing monitoring.</li> </ul> <p data-bbox="199 1482 338 1512">Motor filters:</p> <p data-bbox="199 1514 1433 1565">For reduction of dU/dt and peak voltages to the motor windings and for reduction of the acoustic noise generated in the motor, a number of motor filters are offered:</p> <ul data-bbox="236 1568 612 1628" style="list-style-type: none"> <li>- dU/dt filters , 11-250 kW</li> <li>- Sine wave filters, 0.55-250 kW.</li> </ul> <p data-bbox="199 1659 316 1688">Technical:</p> <p data-bbox="199 1691 791 1720">Approvals on nameplate: CE, CULUS, C-TICK</p> <p data-bbox="199 1751 325 1780">Installation:</p> <p data-bbox="199 1783 668 1812">Range of ambient temperature: 0 .. 45 °C</p> <p data-bbox="199 1814 644 1843">Relative humidity: 5-95 %</p> <p data-bbox="199 1874 363 1904">Electrical data:</p> <p data-bbox="199 1906 624 1935">Rated power - P2: 4 kW</p> <p data-bbox="199 1937 679 1966">Mains frequency: 50 / 60 Hz</p> <p data-bbox="199 1968 813 1998">Rated voltage [V]: 3 x 380-440/441-500 V</p> <p data-bbox="199 2000 660 2029">Rated current: 10-8.2 A</p> <p data-bbox="199 2031 619 2060">Maximum current consumption: 10 A</p> <p data-bbox="199 2063 624 2092">Efficiency at full load: 97 %</p> <p data-bbox="199 2094 619 2123">Enclosure class (IEC 34-5): IP55</p>



Company name: Pump Sales Direct

Created by:

Phone:

Date: 23/06/2022

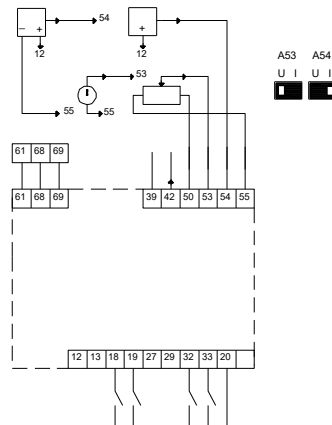
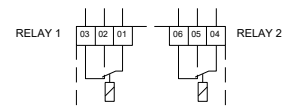
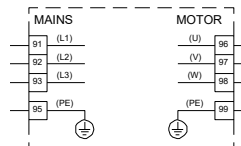
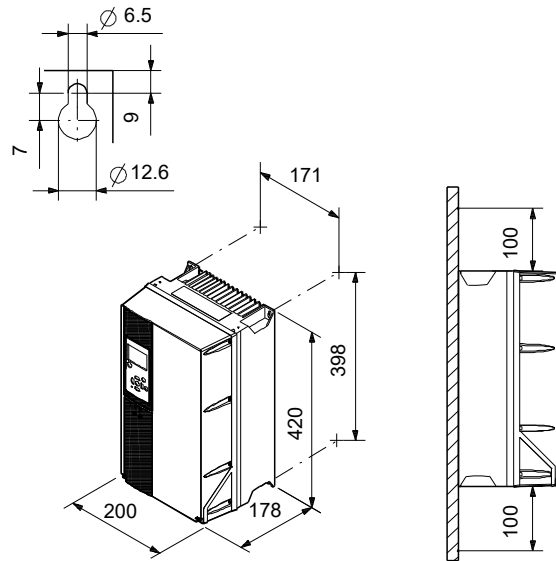
Qty.	Description
------	-------------

	<p data-bbox="194 333 288 367">Others:</p>
--	--

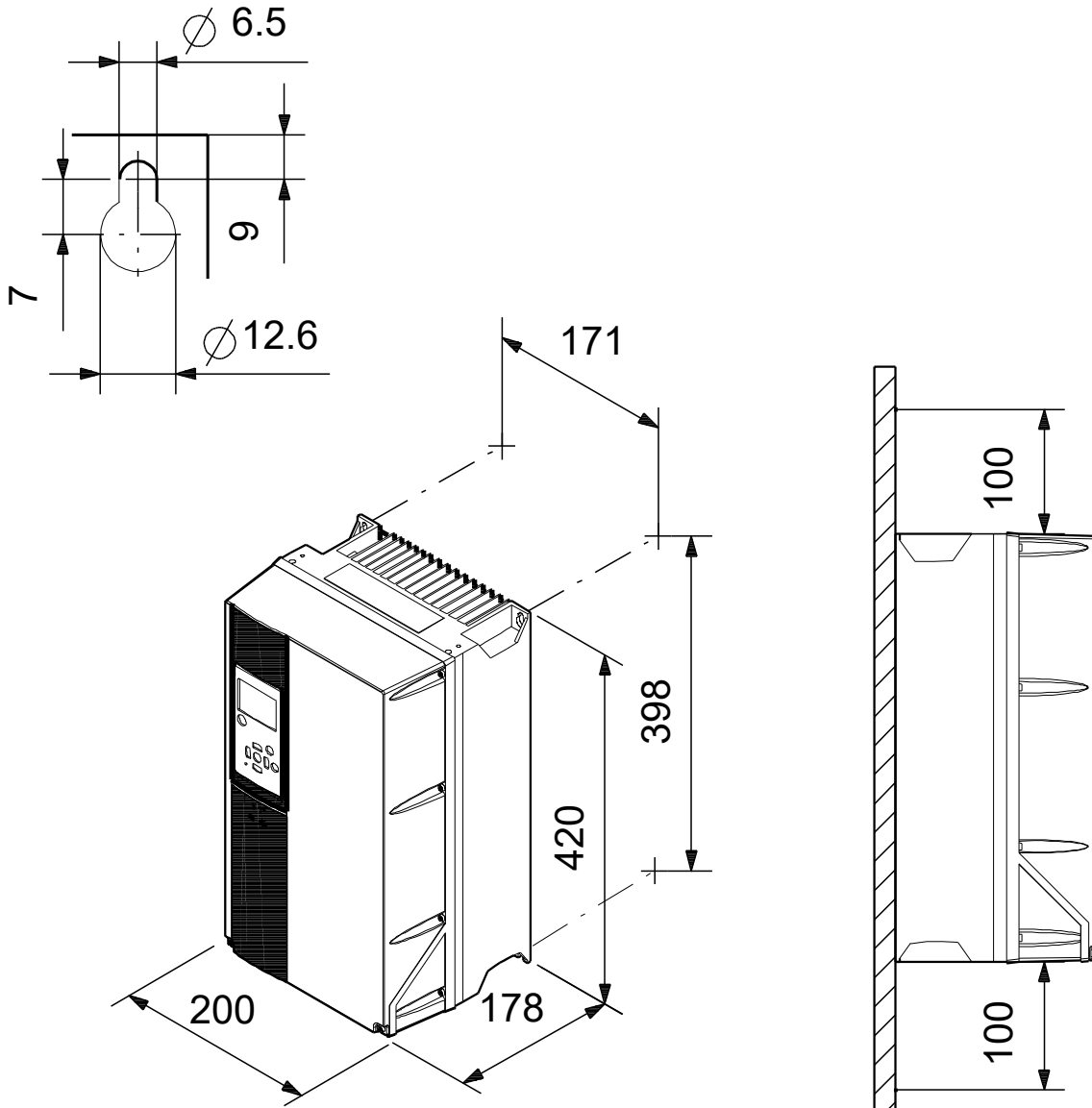
	<p data-bbox="194 365 330 400">Net weight:</p>
--	--

	<p data-bbox="555 365 638 400">9.2 kg</p>
--	---

Description	Value
<b>General information:</b>	
Product name:	CUE3X380-500V IP55 4,0KWSTO DC
Product No:	<a href="#">99616787</a>
EAN number:	5713831974987
<b>Technical:</b>	
Approvals on nameplate:	CE, CULUS, C-TICK
<b>Installation:</b>	
Range of ambient temperature:	0 .. 45 °C
Relative humidity:	5-95 %
Mounted on:	Wall
<b>Electrical data:</b>	
Rated power - P2:	4 kW
Mains frequency:	50 / 60 Hz
Rated voltage [V]:	3 x 380-440/441-500 V
Rated current:	10-8.2 A
Maximum current consumption:	10 A
Efficiency at full load:	97 %
Enclosure class (IEC 34-5):	IP55
Built-in motor protection:	YES
Thermal protec:	external
Cable length:	150/300 m
<b>Others:</b>	
Net weight:	9.2 kg

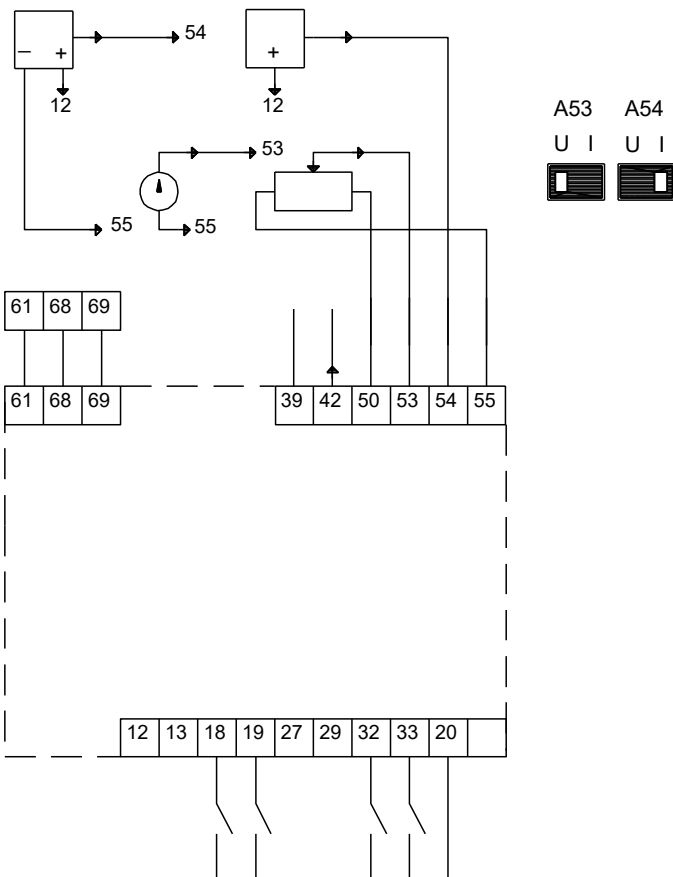
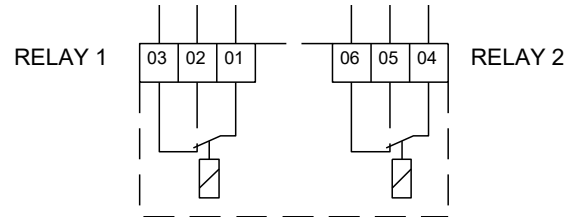
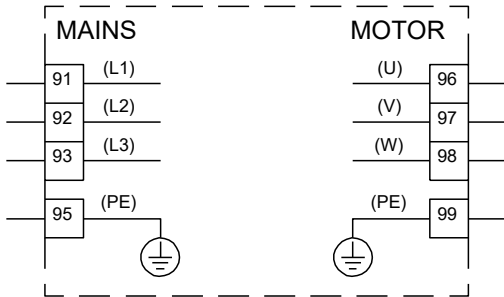


## 99616787 CUE3X380-500V IP55 4,0KWSTO DC



Note! All units are in [mm] unless others are stated.  
Disclaimer: This simplified dimensional drawing does not show all details.

## 99616787 CUE3X380-500V IP55 4,0KWSTO DC



Note! All units are in [mm] unless others are stated.



**Company name:** Pump Sales Direct

**Created by:**

**Phone:**

**Date:** 23/06/2022

---

**Order Data:**

Product name: CUE3X380-500V IP55 4,0KWSTO DC

Amount: 1

Product No: 99616787

Total: Price on request

---