


Qty.	Description
1	<p data-bbox="199 327 619 360">CUE3X380-500V IP55 3,0KWSTO DC</p> <div data-bbox="319 414 459 672">  </div> <p data-bbox="592 680 1064 705" style="text-align: center;">Note! Product picture may differ from actual product</p> <p data-bbox="199 712 480 741">Product No.: On request</p> <p data-bbox="199 772 1430 848">CUE is a complete range of external frequency converters designed for speed control of a wide range of Grundfos pumps. CUE has a built-in PI controller and offers the same functionality and user-interface as Grundfos E-pumps. CUE solutions can thus be seen as an extension to the E-pump range.</p> <p data-bbox="199 857 877 887">By choosing a CUE-solution, you will get the following benefits:</p> <ul data-bbox="236 889 1192 1066" style="list-style-type: none"> - Grundfos E-pump functionality and user-interface - application- and pump-family-related functions - increased comfort compared to fixed-speed pumps - very easy installation and commissioning compared to standard frequency converters - speed control of pumps up to 250 kW - speed control of pumps installed in potentially explosive environments. <p data-bbox="199 1068 663 1097">CUE offers the following inputs and output:</p> <ul data-bbox="236 1099 1023 1243" style="list-style-type: none"> - RS-485 GENIbus - an analog 0-10 V input for external setpoint - an analog 0/4-20 mA input for sensor - four digital inputs for various functions, for instance external start/stop - two signal relays (C/NO/NC). <p data-bbox="199 1274 341 1303">Accessories:</p> <p data-bbox="199 1305 483 1335">Input/output add-on board</p> <p data-bbox="199 1337 475 1366">Provides additional input:</p> <ul data-bbox="236 1368 1192 1451" style="list-style-type: none"> - one 0/4-20 mA analog input for an additional sensor - one 0-20 mA analog output - two inputs for Pt100/Pt1000 temperature sensors, for instance for bearing monitoring. <p data-bbox="199 1482 338 1512">Motor filters:</p> <p data-bbox="199 1514 1441 1565">For reduction of dU/dt and peak voltages to the motor windings and for reduction of the acoustic noise generated in the motor, a number of motor filters are offered:</p> <ul data-bbox="236 1568 614 1628" style="list-style-type: none"> - dU/dt filters , 11-250 kW - Sine wave filters, 0.55-250 kW. <p data-bbox="199 1659 316 1688">Technical:</p> <p data-bbox="199 1691 793 1720">Approvals on nameplate: CE, CULUS, C-TICK</p> <p data-bbox="199 1751 327 1780">Installation:</p> <p data-bbox="199 1783 670 1812">Range of ambient temperature: 0 .. 45 °C</p> <p data-bbox="199 1814 644 1843">Relative humidity: 5-95 %</p> <p data-bbox="199 1874 363 1904">Electrical data:</p> <p data-bbox="199 1906 624 1935">Rated power - P2: 3 kW</p> <p data-bbox="199 1937 679 1966">Mains frequency: 50 / 60 Hz</p> <p data-bbox="199 1968 813 1998">Rated voltage [V]: 3 x 380-440/441-500 V</p> <p data-bbox="199 2000 667 2029">Rated current: 7.2-6.3 A</p> <p data-bbox="199 2031 627 2060">Maximum current consumption: 7.2 A</p> <p data-bbox="199 2063 624 2092">Efficiency at full load: 97 %</p> <p data-bbox="199 2094 619 2123">Enclosure class (IEC 34-5): IP55</p>



Company name:

Created by:

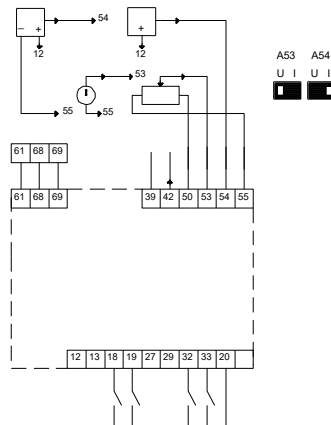
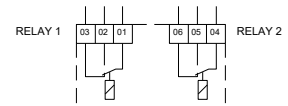
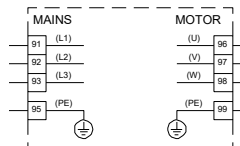
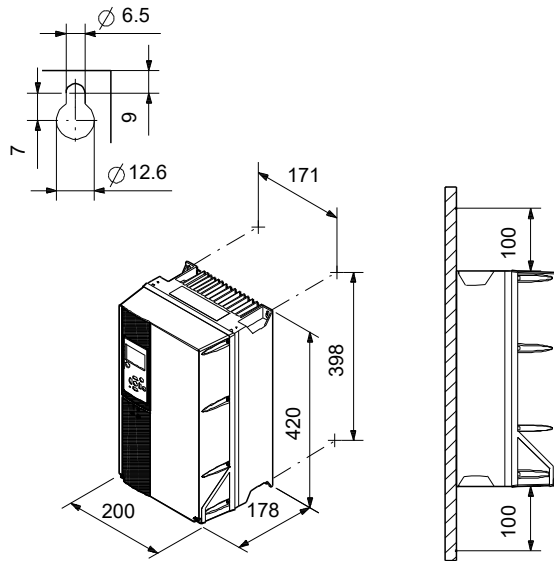
Phone:

Date:

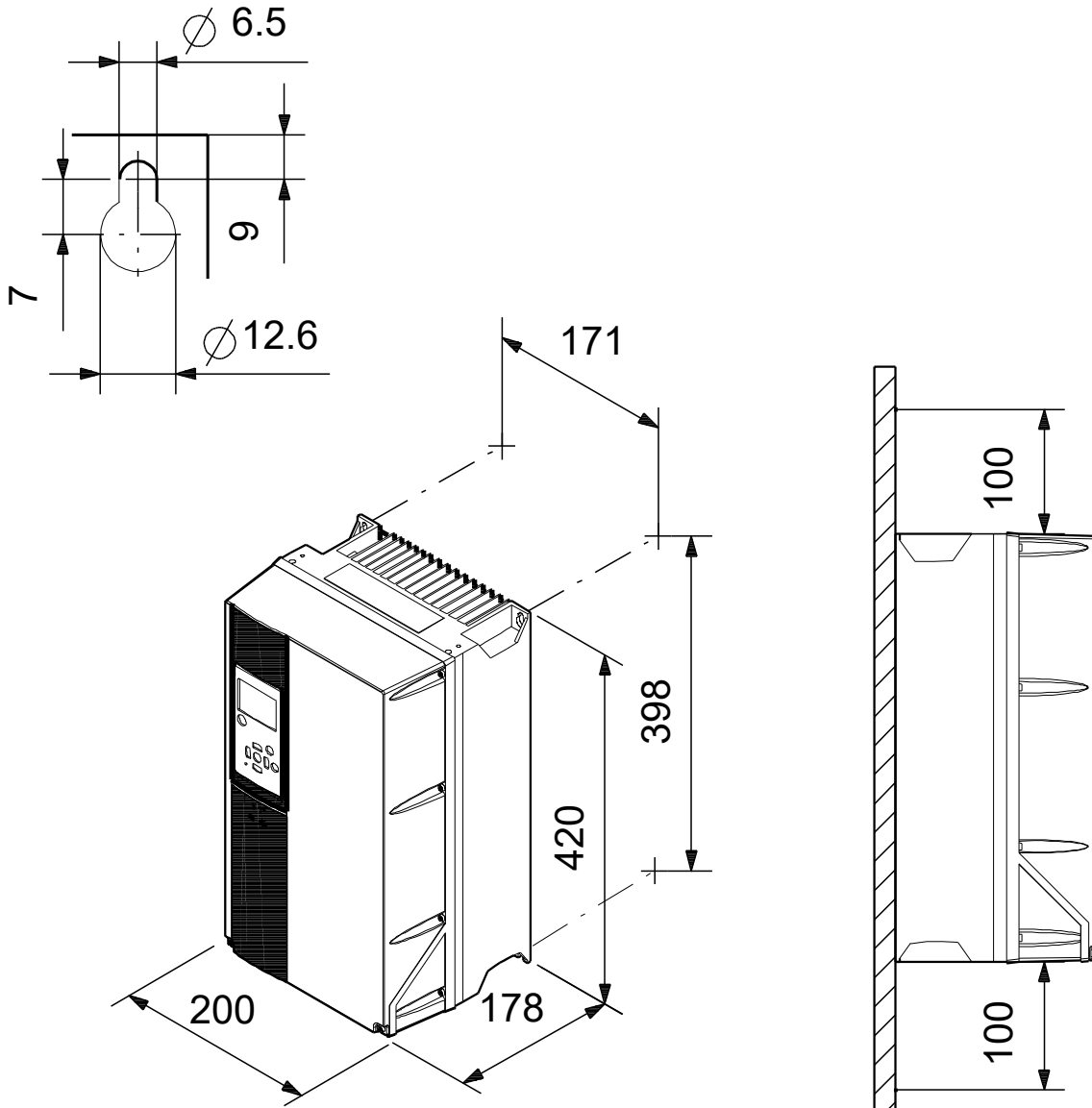
17/06/2022

Qty.	Description
	<p data-bbox="199 331 287 367">Others:</p> <p data-bbox="199 362 635 400">Net weight: 9.2 kg</p>

Description	Value
General information:	
Product name:	CUE3X380-500V IP55 3,0KWSTO DC
Product No:	On request
EAN number:	On request
Technical:	
Approvals on nameplate:	CE, CULUS, C-TICK
Installation:	
Range of ambient temperature:	0 .. 45 °C
Relative humidity:	5-95 %
Mounted on:	Wall
Electrical data:	
Rated power - P2:	3 kW
Mains frequency:	50 / 60 Hz
Rated voltage [V]:	3 x 380-440/441-500 V
Rated current:	7.2-6.3 A
Maximum current consumption:	7.2 A
Efficiency at full load:	97 %
Enclosure class (IEC 34-5):	IP55
Built-in motor protection:	YES
Thermal protec:	external
Cable length:	150/300 m
Others:	
Net weight:	9.2 kg

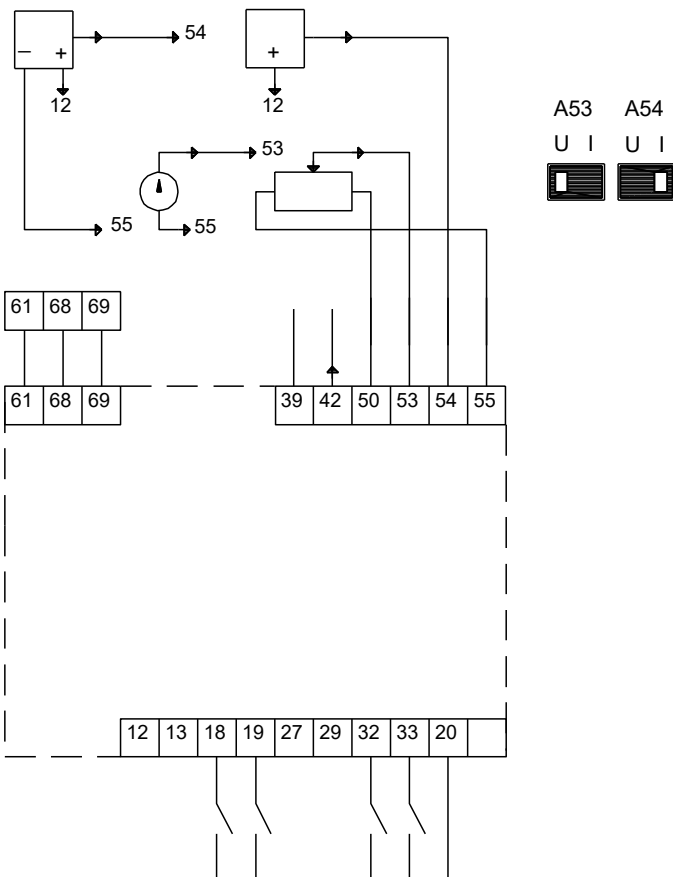
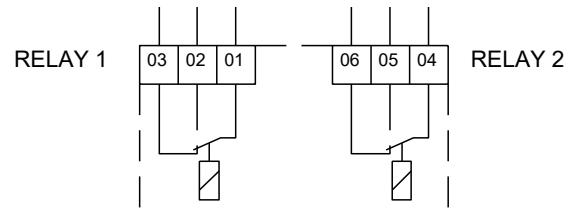
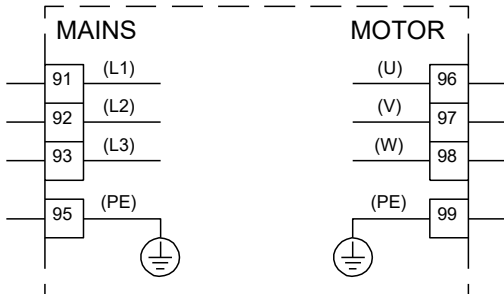


On request CUE3X380-500V IP55 3,0KWSTO DC



Note! All units are in [mm] unless others are stated.
Disclaimer: This simplified dimensional drawing does not show all details.

On request CUE3X380-500V IP55 3,0KWSTO DC



Note! All units are in [mm] unless others are stated.



Company name:

Created by:

Phone:

Date:

17/06/2022

Order Data:

Product name: CUE3X380-500V IP55 3,0KWSTO DC

Amount: 1

Product No: On request

Total: Price on request
