


Qty.	Description
1	<p data-bbox="199 331 534 365">CUE 3X380-500V IP55 7,5KW</p> <div data-bbox="319 414 459 672">  </div> <p data-bbox="590 683 1061 705" style="text-align: center;">Note! Product picture may differ from actual product</p> <p data-bbox="199 712 478 745">Product No.: On request</p> <p data-bbox="199 772 1428 851">CUE is a complete range of external frequency converters designed for speed control of a wide range of Grundfos pumps. CUE has a built-in PI controller and offers the same functionality and user-interface as Grundfos E-pumps. CUE solutions can thus be seen as an extension to the E-pump range.</p> <p data-bbox="199 857 877 891">By choosing a CUE-solution, you will get the following benefits:</p> <ul data-bbox="231 891 1189 1070" style="list-style-type: none"> - Grundfos E-pump functionality and user-interface - application- and pump-family-related functions - increased comfort compared to fixed-speed pumps - very easy installation and commissioning compared to standard frequency converters - speed control of pumps up to 250 kW - speed control of pumps installed in potentially explosive environments. <p data-bbox="199 1070 662 1104">CUE offers the following inputs and output:</p> <ul data-bbox="231 1104 1021 1249" style="list-style-type: none"> - RS-485 GENIbus - an analog 0-10 V input for external setpoint - an analog 0/4-20 mA input for sensor - four digital inputs for various functions, for instance external start/stop - two signal relays (C/NO/NC). <p data-bbox="199 1272 343 1305">Accessories:</p> <p data-bbox="199 1305 486 1339">Input/output add-on board</p> <p data-bbox="199 1339 478 1373">Provides additional input:</p> <ul data-bbox="231 1373 1189 1462" style="list-style-type: none"> - one 0/4-20 mA analog input for an additional sensor - one 0-20 mA analog output - two inputs for Pt100/Pt1000 temperature sensors, for instance for bearing monitoring. <p data-bbox="199 1485 343 1518">Motor filters:</p> <p data-bbox="199 1518 1428 1574">For reduction of dU/dt and peak voltages to the motor windings and for reduction of the acoustic noise generated in the motor, a number of motor filters are offered:</p> <ul data-bbox="231 1574 614 1641" style="list-style-type: none"> - dU/dt filters , 11-250 kW - Sine wave filters, 0.55-250 kW. <p data-bbox="199 1664 319 1697">Technical:</p> <p data-bbox="199 1697 790 1731">Approvals on nameplate: CE, CULUS, C-TICK</p> <p data-bbox="199 1753 327 1787">Installation:</p> <p data-bbox="199 1787 670 1821">Range of ambient temperature: 0 .. 45 °C</p> <p data-bbox="199 1821 646 1854">Relative humidity: 5-95 %</p> <p data-bbox="199 1877 367 1910">Electrical data:</p> <p data-bbox="199 1910 646 1944">Rated power - P2: 7.5 kW</p> <p data-bbox="199 1944 678 1977">Mains frequency: 50 / 60 Hz</p> <p data-bbox="199 1977 813 2011">Rated voltage [V]: 3 x 380-440/441-500 V</p> <p data-bbox="199 2011 678 2045">Rated current: 16-14.5 A</p> <p data-bbox="199 2045 614 2078">Maximum current consumption: 16 A</p> <p data-bbox="199 2078 614 2112">Efficiency at full load: 97 %</p> <p data-bbox="199 2112 614 2145">Enclosure class (IEC 34-5): IP55</p>



Company name:

Created by:

Phone:

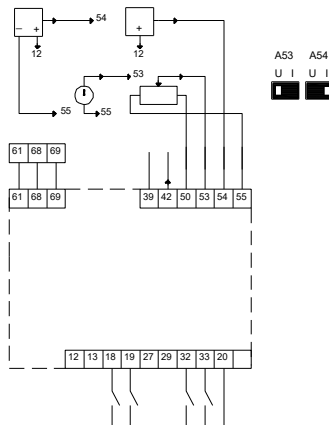
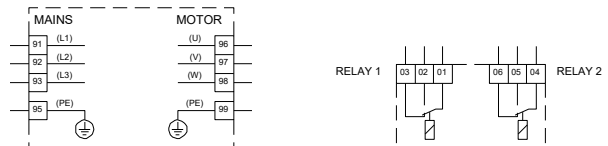
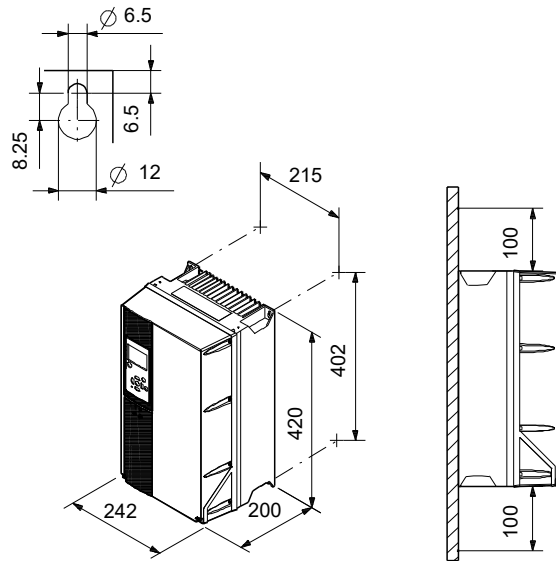
Date:

16/06/2022

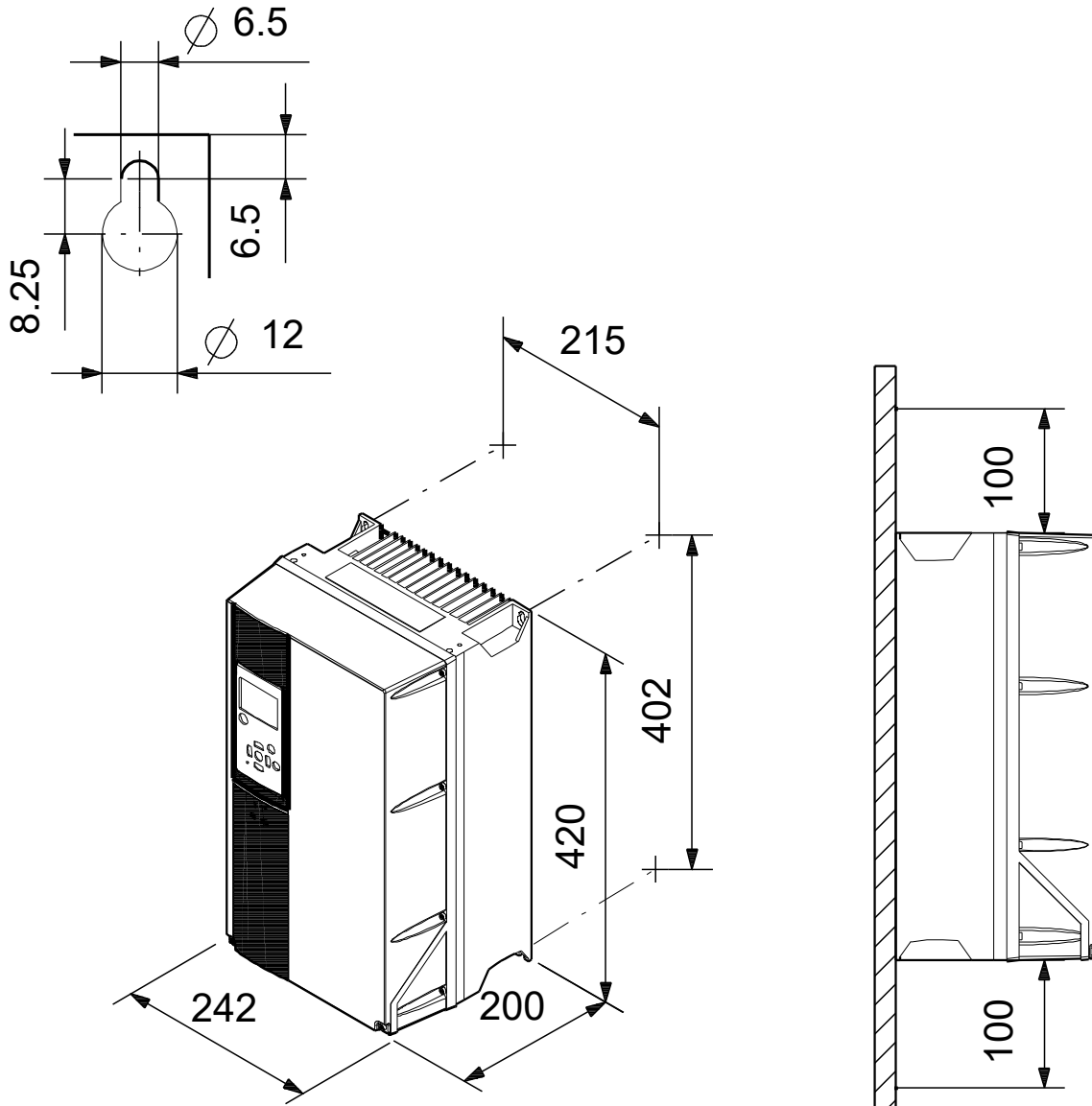
Qty.	Description
------	-------------

	Others:
	Net weight: 14 kg
	Danish VVS No.: 382996075
	Country of origin: DK
	Custom tariff no.: 85044090

Description	Value
General information:	
Product name:	CUE 3X380-500V IP55 7,5KW
Product No:	On request
EAN number:	On request
Technical:	
Approvals on nameplate:	CE, CULUS, C-TICK
Installation:	
Range of ambient temperature:	0 .. 45 °C
Relative humidity:	5-95 %
Mounted on:	Wall
Electrical data:	
Rated power - P2:	7.5 kW
Mains frequency:	50 / 60 Hz
Rated voltage [V]:	3 x 380-440/441-500 V
Rated current:	16-14.5 A
Maximum current consumption:	16 A
Efficiency at full load:	97 %
Enclosure class (IEC 34-5):	IP55
Built-in motor protection:	YES
Thermal protec:	external
Cable length:	150/300 m
Others:	
Net weight:	14 kg
Danish VVS No.:	382996075
Country of origin:	DK
Custom tariff no.:	85044090

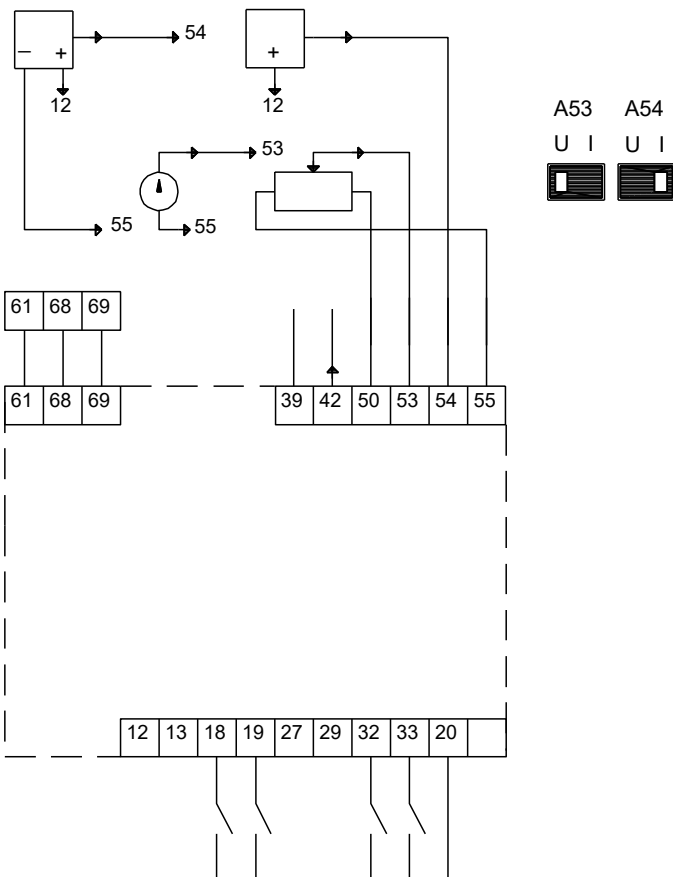
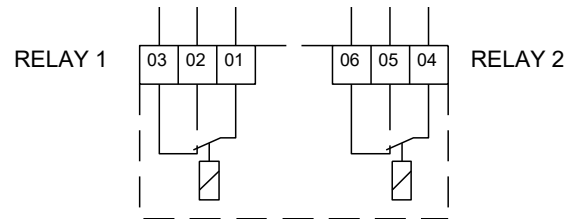
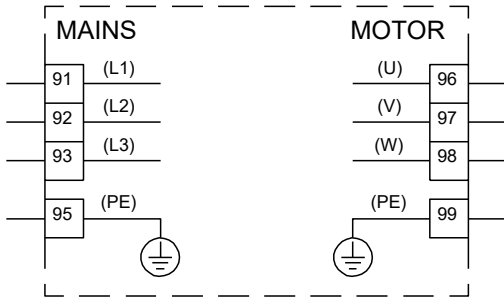


On request CUE 3X380-500V IP55 7,5KW



Note! All units are in [mm] unless others are stated.
Disclaimer: This simplified dimensional drawing does not show all details.

On request CUE 3X380-500V IP55 7,5KW



Note! All units are in [mm] unless others are stated.



Company name:

Created by:

Phone:

Date:

16/06/2022

Order Data:

Product name: CUE 3X380-500V IP55 7,5KW

Amount: 1

Product No: On request

Total: Price on request
