


Qty.	Description
1	<p data-bbox="199 338 534 365"><b>CUE 3X380-500V IP55 2,2KW</b></p> <div data-bbox="319 414 459 672">  </div> <p data-bbox="590 683 1066 707" style="text-align: center;"><b>Note! Product picture may differ from actual product</b></p> <p data-bbox="199 716 470 741">Product No.: <a href="#">99616760</a></p> <p data-bbox="199 772 1428 851">CUE is a complete range of external frequency converters designed for speed control of a wide range of Grundfos pumps. CUE has a built-in PI controller and offers the same functionality and user-interface as Grundfos E-pumps. CUE solutions can thus be seen as an extension to the E-pump range.</p> <p data-bbox="199 862 877 887">By choosing a CUE-solution, you will get the following benefits:</p> <ul data-bbox="239 891 1189 1064" style="list-style-type: none"> <li>- Grundfos E-pump functionality and user-interface</li> <li>- application- and pump-family-related functions</li> <li>- increased comfort compared to fixed-speed pumps</li> <li>- very easy installation and commissioning compared to standard frequency converters</li> <li>- speed control of pumps up to 250 kW</li> <li>- speed control of pumps installed in potentially explosive environments.</li> </ul> <p data-bbox="199 1070 662 1095">CUE offers the following inputs and output:</p> <ul data-bbox="239 1099 1021 1243" style="list-style-type: none"> <li>- RS-485 GENIbus</li> <li>- an analog 0-10 V input for external setpoint</li> <li>- an analog 0/4-20 mA input for sensor</li> <li>- four digital inputs for various functions, for instance external start/stop</li> <li>- two signal relays (C/NO/NC).</li> </ul> <p data-bbox="199 1276 343 1301">Accessories:</p> <p data-bbox="199 1305 486 1330">Input/output add-on board</p> <p data-bbox="199 1335 470 1359">Provides additional input:</p> <ul data-bbox="239 1364 1189 1451" style="list-style-type: none"> <li>- one 0/4-20 mA analog input for an additional sensor</li> <li>- one 0-20 mA analog output</li> <li>- two inputs for Pt100/Pt1000 temperature sensors, for instance for bearing monitoring.</li> </ul> <p data-bbox="199 1485 343 1509">Motor filters:</p> <p data-bbox="199 1514 1428 1563">For reduction of dU/dt and peak voltages to the motor windings and for reduction of the acoustic noise generated in the motor, a number of motor filters are offered:</p> <ul data-bbox="239 1568 614 1630" style="list-style-type: none"> <li>- dU/dt filters , 11-250 kW</li> <li>- Sine wave filters, 0.55-250 kW.</li> </ul> <p data-bbox="199 1664 311 1688">Technical:</p> <p data-bbox="199 1693 790 1718">Approvals on nameplate: CE, CULUS, C-TICK</p> <p data-bbox="199 1751 327 1776">Installation:</p> <p data-bbox="199 1780 670 1805">Range of ambient temperature: 0 .. 45 °C</p> <p data-bbox="199 1809 646 1834">Relative humidity: 5-95 %</p> <p data-bbox="199 1868 359 1892">Electrical data:</p> <p data-bbox="199 1897 646 1921">Rated power - P2: 2.2 kW</p> <p data-bbox="199 1926 678 1951">Mains frequency: 50 / 60 Hz</p> <p data-bbox="199 1955 813 1980">Rated voltage [V]: 3 x 380-440/441-500 V</p> <p data-bbox="199 1984 662 2009">Rated current: 5.6-4.8 A</p> <p data-bbox="199 2013 630 2038">Maximum current consumption: 5.6 A</p> <p data-bbox="199 2042 630 2067">Efficiency at full load: 97 %</p> <p data-bbox="199 2072 614 2096">Enclosure class (IEC 34-5): IP55</p>



Company name:

Created by:

Phone:

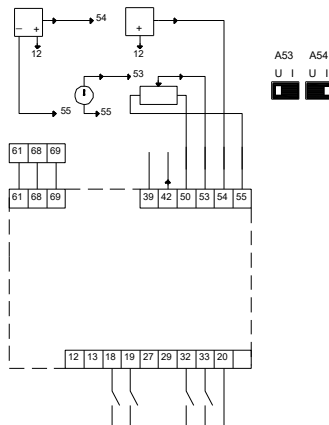
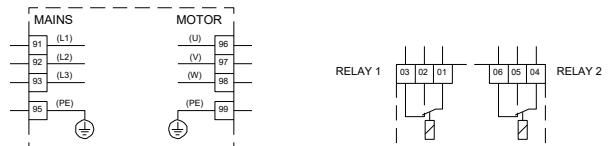
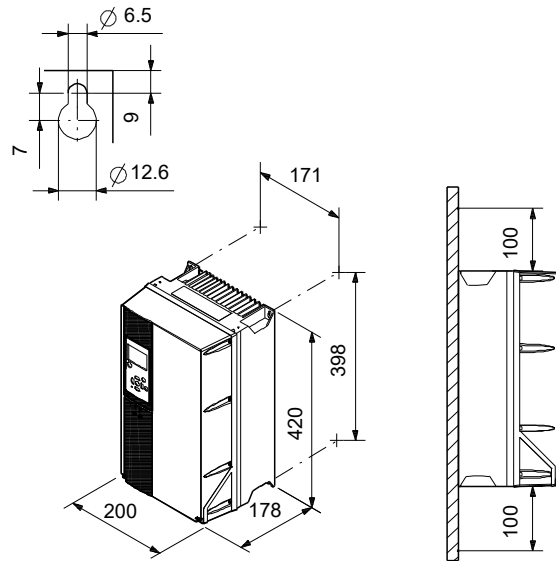
Date:

16/06/2022

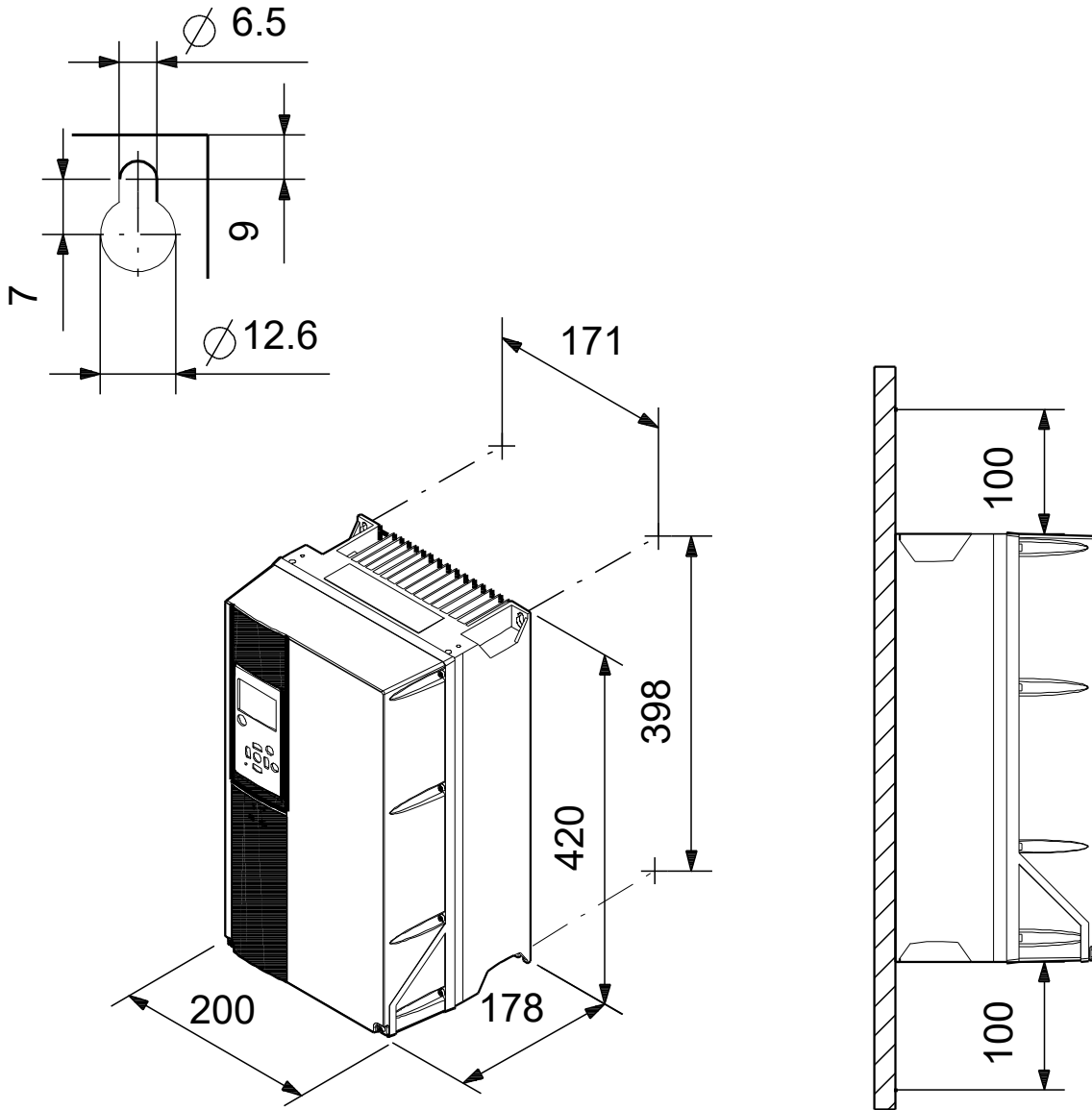
Qty.	Description
------	-------------

	Others:
	Net weight: 9.2 kg
	Danish VVS No.: 382996022
	Country of origin: DK
	Custom tariff no.: 85044090

Description	Value
<b>General information:</b>	
Product name:	CUE 3X380-500V IP55 2,2KW
Product No:	99616760
EAN number:	5713831974666
<b>Technical:</b>	
Approvals on nameplate:	CE, CULUS, C-TICK
<b>Installation:</b>	
Range of ambient temperature:	0 .. 45 °C
Relative humidity:	5-95 %
Mounted on:	Wall
<b>Electrical data:</b>	
Rated power - P2:	2.2 kW
Mains frequency:	50 / 60 Hz
Rated voltage [V]:	3 x 380-440/441-500 V
Rated current:	5.6-4.8 A
Maximum current consumption:	5.6 A
Efficiency at full load:	97 %
Enclosure class (IEC 34-5):	IP55
Built-in motor protection:	YES
Thermal protec:	external
Cable length:	150/300 m
<b>Others:</b>	
Net weight:	9.2 kg
Danish VVS No.:	382996022
Country of origin:	DK
Custom tariff no.:	85044090

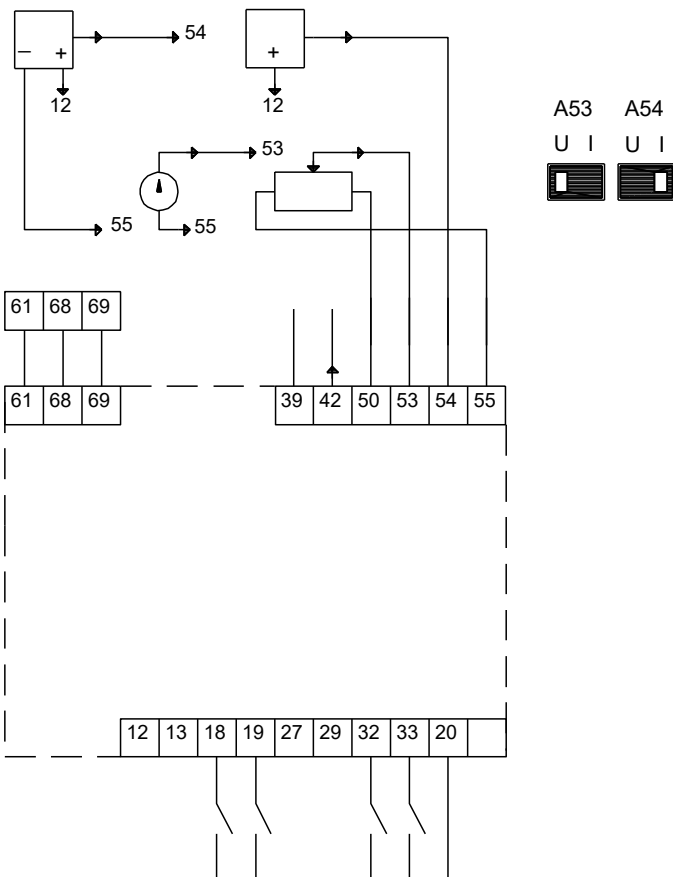
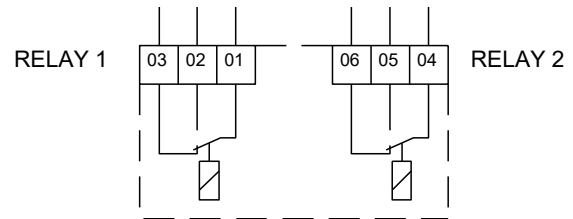
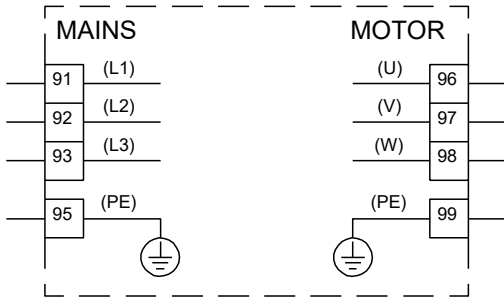


## 99616760 CUE 3X380-500V IP55 2,2KW



Note! All units are in [mm] unless others are stated.  
Disclaimer: This simplified dimensional drawing does not show all details.

## 99616760 CUE 3X380-500V IP55 2,2KW



Note! All units are in [mm] unless others are stated.



Company name:

Created by:

Phone:

Date:

16/06/2022

---

**Order Data:**

Product name: CUE 3X380-500V IP55 2,2KW

Amount: 1

Product No: 99616760

Total: Price on request

---