


Qty.	Description
1	<p data-bbox="199 338 596 365"><b>CUE 3X380-500V IP21 160KW STO</b></p> <div data-bbox="328 409 456 674" style="text-align: center;">  </div> <p data-bbox="592 683 1062 707" style="text-align: center;"><b>Note! Product picture may differ from actual product</b></p> <p data-bbox="199 714 478 741">Product No.: On request</p> <p data-bbox="199 775 1423 851">CUE is a complete range of external frequency converters designed for speed control of a wide range of Grundfos pumps. CUE has a built-in PI controller and offers the same functionality and user-interface as Grundfos E-pumps. CUE solutions can thus be seen as an extension to the E-pump range.</p> <p data-bbox="199 860 874 887">By choosing a CUE-solution, you will get the following benefits:</p> <ul data-bbox="239 891 1190 1066" style="list-style-type: none"> <li>- Grundfos E-pump functionality and user-interface</li> <li>- application- and pump-family-related functions</li> <li>- increased comfort compared to fixed-speed pumps</li> <li>- very easy installation and commissioning compared to standard frequency converters</li> <li>- speed control of pumps up to 250 kW</li> <li>- speed control of pumps installed in potentially explosive environments.</li> </ul> <p data-bbox="199 1070 660 1097">CUE offers the following inputs and output:</p> <ul data-bbox="239 1102 1021 1245" style="list-style-type: none"> <li>- RS-485 GENIbus</li> <li>- an analog 0-10 V input for external setpoint</li> <li>- an analog 0/4-20 mA input for sensor</li> <li>- four digital inputs for various functions, for instance external start/stop</li> <li>- two signal relays (C/NO/NC).</li> </ul> <p data-bbox="199 1276 341 1303">Accessories:</p> <p data-bbox="199 1308 481 1335">Input/output add-on board</p> <p data-bbox="199 1339 475 1366">Provides additional input:</p> <ul data-bbox="239 1370 1190 1451" style="list-style-type: none"> <li>- one 0/4-20 mA analog input for an additional sensor</li> <li>- one 0-20 mA analog output</li> <li>- two inputs for Pt100/Pt1000 temperature sensors, for instance for bearing monitoring.</li> </ul> <p data-bbox="199 1482 338 1509">Motor filters:</p> <p data-bbox="199 1514 1433 1568">For reduction of dU/dt and peak voltages to the motor windings and for reduction of the acoustic noise generated in the motor, a number of motor filters are offered:</p> <ul data-bbox="239 1572 612 1630" style="list-style-type: none"> <li>- dU/dt filters , 11-250 kW</li> <li>- Sine wave filters, 0.55-250 kW.</li> </ul> <p data-bbox="199 1662 316 1688">Technical:</p> <p data-bbox="199 1693 791 1720">Approvals on nameplate: CE, CULUS, C-TICK</p> <p data-bbox="199 1751 325 1778">Installation:</p> <p data-bbox="199 1783 667 1809">Range of ambient temperature: 0 .. 40 °C</p> <p data-bbox="199 1814 644 1841">Relative humidity: 5-95 %</p> <p data-bbox="199 1872 363 1899">Electrical data:</p> <p data-bbox="199 1904 651 1930">Rated power - P2: 160 kW</p> <p data-bbox="199 1935 679 1962">Mains frequency: 50 / 60 Hz</p> <p data-bbox="199 1966 810 1993">Rated voltage [V]: 3 x 380-440/441-500 V</p> <p data-bbox="199 1998 679 2024">Rated current: 315-302 A</p> <p data-bbox="199 2029 632 2056">Maximum current consumption: 315 A</p> <p data-bbox="199 2060 622 2087">Efficiency at full load: 98 %</p> <p data-bbox="199 2092 616 2119">Enclosure class (IEC 34-5): IP21</p>



Company name:

Created by:

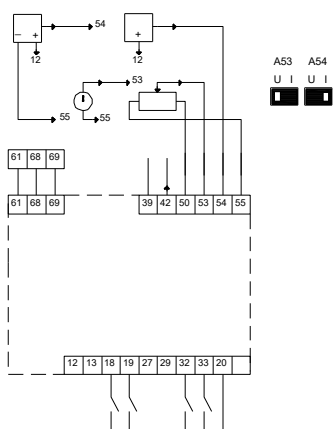
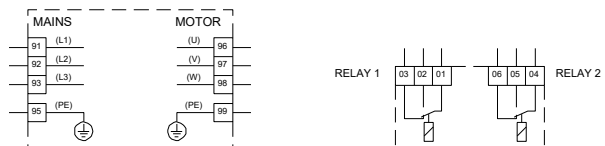
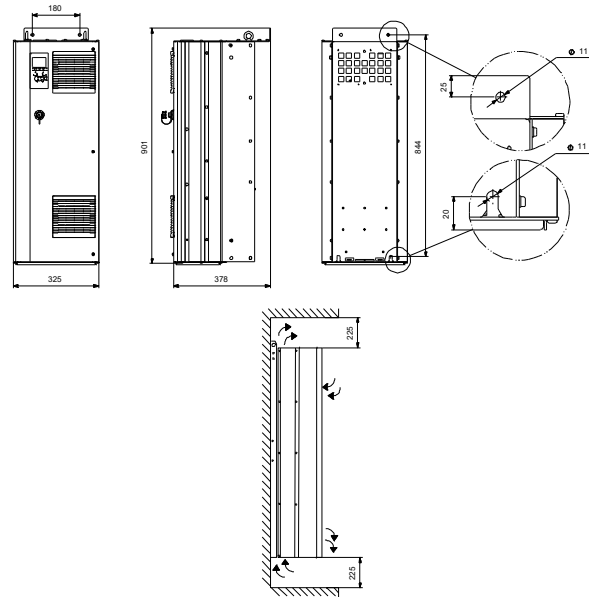
Phone:

Date:

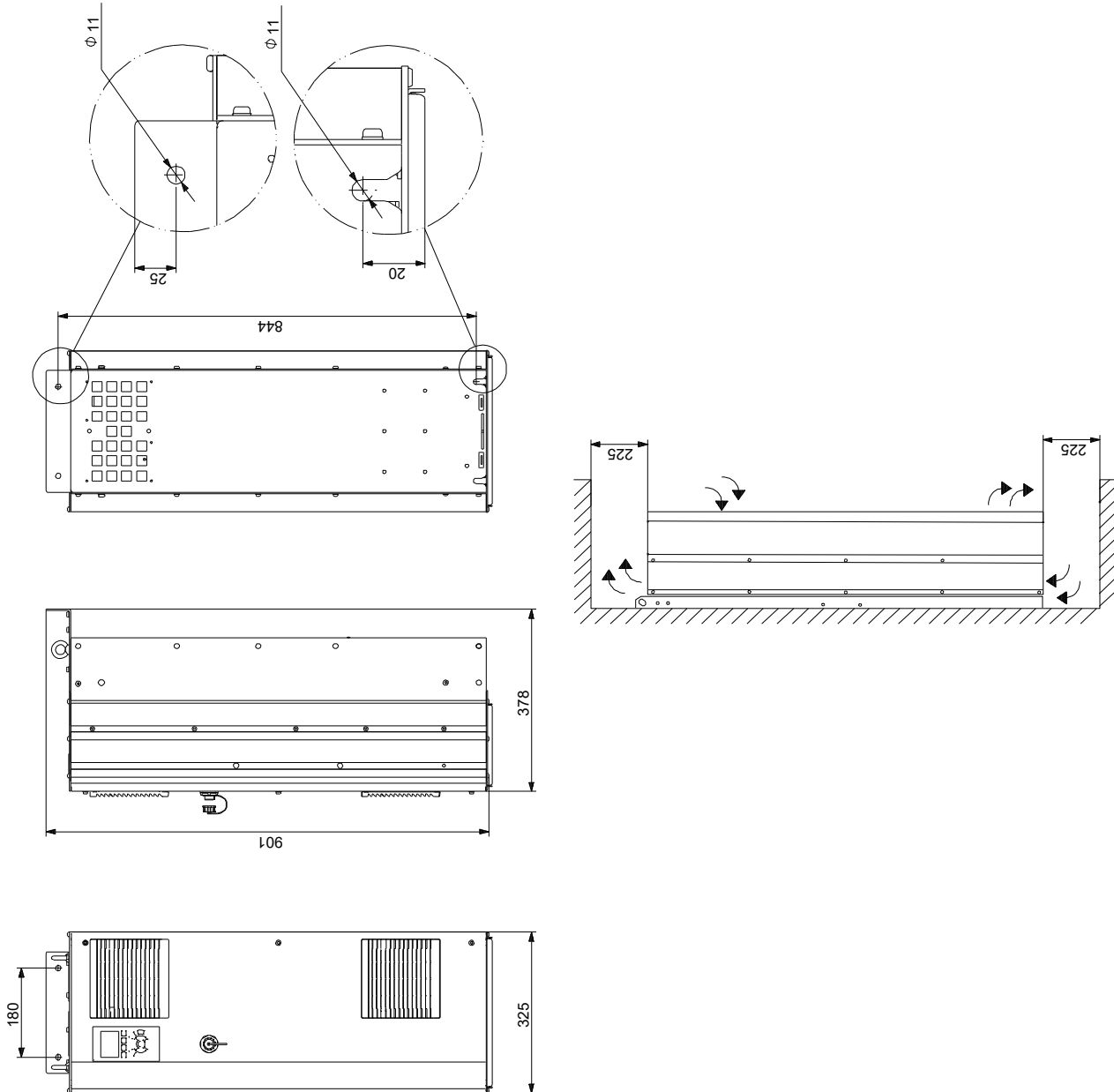
17/06/2022

Qty.	Description
	<p data-bbox="199 331 287 369">Others:</p> <p data-bbox="199 369 630 403">Net weight: 62 kg</p>

Description	Value
<b>General information:</b>	
Product name:	CUE 3X380-500V IP21 160KW STO
Product No:	On request
EAN number:	On request
<b>Technical:</b>	
Approvals on nameplate:	CE, CULUS, C-TICK
<b>Installation:</b>	
Range of ambient temperature:	0 .. 40 °C
Relative humidity:	5-95 %
Mounted on:	WALL / FLOOR
<b>Electrical data:</b>	
Rated power - P2:	160 kW
Mains frequency:	50 / 60 Hz
Rated voltage [V]:	3 x 380-440/441-500 V
Rated current:	315-302 A
Maximum current consumption:	315 A
Efficiency at full load:	98 %
Enclosure class (IEC 34-5):	IP21
Built-in motor protection:	YES
Thermal protec:	external
Cable length:	150/300 m
<b>Others:</b>	
Net weight:	62 kg



## On request CUE 3X380-500V IP21 160KW STO



Note! All units are in [mm] unless others are stated.  
Disclaimer: This simplified dimensional drawing does not show all details.



Company name:

Created by:

Phone:

Date:

17/06/2022

---

**Order Data:**

Product name: CUE 3X380-500V IP21 160KW STO

Amount: 1

Product No: On request

Total: Price on request

---