


Qty.	Description														
1	<p data-bbox="199 338 582 365">CUE 3X380-500V IP20 55KW STO</p> <div data-bbox="316 427 467 663" style="text-align: center;">  </div> <p data-bbox="592 685 1062 707" style="text-align: center;">Note! Product picture may differ from actual product</p> <p data-bbox="199 719 478 741">Product No.: On request</p> <p data-bbox="199 779 1422 853">CUE is a complete range of external frequency converters designed for speed control of a wide range of Grundfos pumps. CUE has a built-in PI controller and offers the same functionality and user-interface as Grundfos E-pumps. CUE solutions can thus be seen as an extension to the E-pump range.</p> <p data-bbox="199 864 874 887">By choosing a CUE-solution, you will get the following benefits:</p> <ul data-bbox="240 898 1190 1066" style="list-style-type: none"> - Grundfos E-pump functionality and user-interface - application- and pump-family-related functions - increased comfort compared to fixed-speed pumps - very easy installation and commissioning compared to standard frequency converters - speed control of pumps up to 250 kW - speed control of pumps installed in potentially explosive environments. <p data-bbox="199 1077 660 1099">CUE offers the following inputs and output:</p> <ul data-bbox="240 1111 1023 1245" style="list-style-type: none"> - RS-485 GENIbus - an analog 0-10 V input for external setpoint - an analog 0/4-20 mA input for sensor - four digital inputs for various functions, for instance external start/stop - two signal relays (C/NO/NC). <p data-bbox="199 1279 341 1301">Accessories:</p> <p data-bbox="199 1312 483 1335">Input/output add-on board</p> <p data-bbox="199 1346 475 1368">Provides additional input:</p> <ul data-bbox="240 1379 1190 1458" style="list-style-type: none"> - one 0/4-20 mA analog input for an additional sensor - one 0-20 mA analog output - two inputs for Pt100/Pt1000 temperature sensors, for instance for bearing monitoring. <p data-bbox="199 1491 336 1514">Motor filters:</p> <p data-bbox="199 1525 1430 1570">For reduction of dU/dt and peak voltages to the motor windings and for reduction of the acoustic noise generated in the motor, a number of motor filters are offered:</p> <ul data-bbox="240 1581 612 1637" style="list-style-type: none"> - dU/dt filters , 11-250 kW - Sine wave filters, 0.55-250 kW. <p data-bbox="199 1671 316 1693">Technical:</p> <p data-bbox="199 1704 791 1727">Approvals on nameplate: CE, CULUS, C-TICK</p> <p data-bbox="199 1760 325 1783">Installation:</p> <p data-bbox="199 1794 668 1816">Range of ambient temperature: 0 .. 45 °C</p> <p data-bbox="199 1827 644 1850">Relative humidity: 5-95 %</p> <p data-bbox="199 1883 363 1906">Electrical data:</p> <p data-bbox="199 1917 815 2107"> <table border="0"> <tr> <td>Rated power - P2:</td> <td>55 kW</td> </tr> <tr> <td>Mains frequency:</td> <td>50 / 60 Hz</td> </tr> <tr> <td>Rated voltage [V]:</td> <td>3 x 380-440/441-500 V</td> </tr> <tr> <td>Rated current:</td> <td>106-105 A</td> </tr> <tr> <td>Maximum current consumption:</td> <td>106 A</td> </tr> <tr> <td>Efficiency at full load:</td> <td>98 %</td> </tr> <tr> <td>Enclosure class (IEC 34-5):</td> <td>IP20</td> </tr> </table> </p>	Rated power - P2:	55 kW	Mains frequency:	50 / 60 Hz	Rated voltage [V]:	3 x 380-440/441-500 V	Rated current:	106-105 A	Maximum current consumption:	106 A	Efficiency at full load:	98 %	Enclosure class (IEC 34-5):	IP20
Rated power - P2:	55 kW														
Mains frequency:	50 / 60 Hz														
Rated voltage [V]:	3 x 380-440/441-500 V														
Rated current:	106-105 A														
Maximum current consumption:	106 A														
Efficiency at full load:	98 %														
Enclosure class (IEC 34-5):	IP20														



Company name:

Created by:

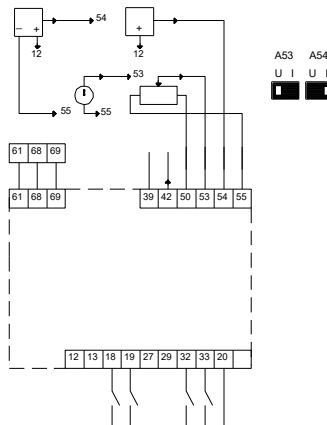
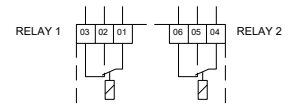
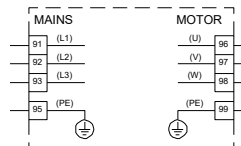
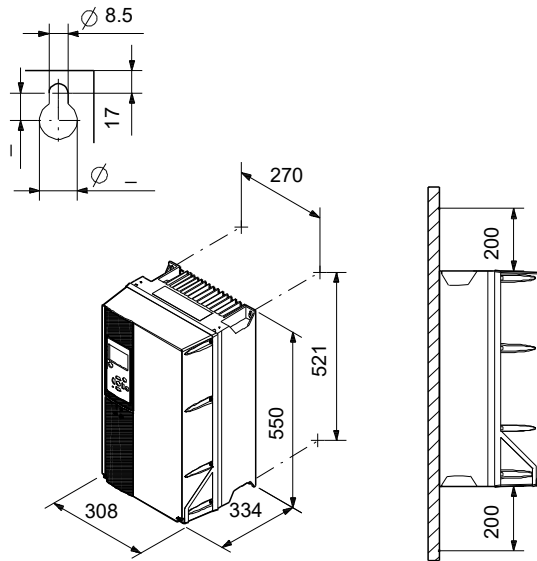
Phone:

Date:

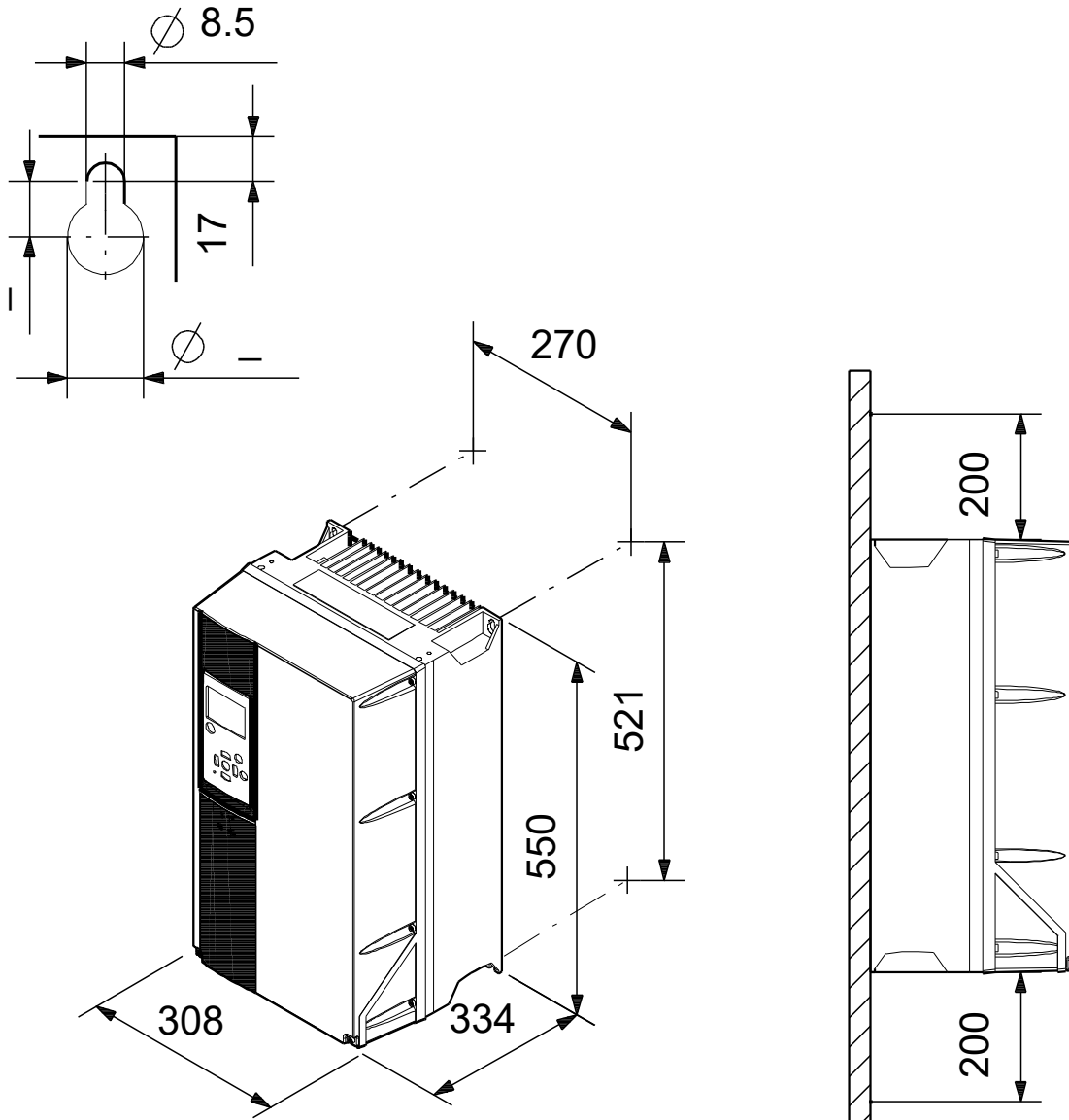
17/06/2022

Qty.	Description
	<p data-bbox="199 329 287 367">Others:</p> <p data-bbox="199 362 651 400">Net weight: 36.6 kg</p>

Description	Value
General information:	
Product name:	CUE 3X380-500V IP20 55KW STO
Product No:	On request
EAN number:	On request
Technical:	
Approvals on nameplate:	CE, CULUS, C-TICK
Installation:	
Range of ambient temperature:	0 .. 45 °C
Relative humidity:	5-95 %
Mounted on:	Wall
Electrical data:	
Rated power - P2:	55 kW
Mains frequency:	50 / 60 Hz
Rated voltage [V]:	3 x 380-440/441-500 V
Rated current:	106-105 A
Maximum current consumption:	106 A
Efficiency at full load:	98 %
Enclosure class (IEC 34-5):	IP20
Built-in motor protection:	YES
Thermal protec:	external
Cable length:	150/300 m
Others:	
Net weight:	36.6 kg



On request CUE 3X380-500V IP20 55KW STO



Note! All units are in [mm] unless others are stated.
Disclaimer: This simplified dimensional drawing does not show all details.



Company name:

Created by:

Phone:

Date:

17/06/2022

Order Data:

Product name: CUE 3X380-500V IP20 55KW STO

Amount: 1

Product No: On request

Total: Price on request
