


Qty.	Description														
1	<p data-bbox="204 338 582 365"><b>CUE 3X380-500V IP20 45KW STO</b></p> <div data-bbox="317 427 467 663" style="text-align: center;">  </div> <p data-bbox="595 685 1062 707" style="text-align: center;"><b>Note! Product picture may differ from actual product</b></p> <p data-bbox="204 719 478 741">Product No.: On request</p> <p data-bbox="204 779 1422 853">CUE is a complete range of external frequency converters designed for speed control of a wide range of Grundfos pumps. CUE has a built-in PI controller and offers the same functionality and user-interface as Grundfos E-pumps. CUE solutions can thus be seen as an extension to the E-pump range.</p> <p data-bbox="204 864 874 887">By choosing a CUE-solution, you will get the following benefits:</p> <ul data-bbox="240 898 1190 1066" style="list-style-type: none"> <li>- Grundfos E-pump functionality and user-interface</li> <li>- application- and pump-family-related functions</li> <li>- increased comfort compared to fixed-speed pumps</li> <li>- very easy installation and commissioning compared to standard frequency converters</li> <li>- speed control of pumps up to 250 kW</li> <li>- speed control of pumps installed in potentially explosive environments.</li> </ul> <p data-bbox="204 1077 660 1099">CUE offers the following inputs and output:</p> <ul data-bbox="240 1111 1023 1245" style="list-style-type: none"> <li>- RS-485 GENIbus</li> <li>- an analog 0-10 V input for external setpoint</li> <li>- an analog 0/4-20 mA input for sensor</li> <li>- four digital inputs for various functions, for instance external start/stop</li> <li>- two signal relays (C/NO/NC).</li> </ul> <p data-bbox="204 1279 341 1301">Accessories:</p> <p data-bbox="204 1312 483 1335">Input/output add-on board</p> <p data-bbox="204 1346 475 1368">Provides additional input:</p> <ul data-bbox="240 1379 1190 1458" style="list-style-type: none"> <li>- one 0/4-20 mA analog input for an additional sensor</li> <li>- one 0-20 mA analog output</li> <li>- two inputs for Pt100/Pt1000 temperature sensors, for instance for bearing monitoring.</li> </ul> <p data-bbox="204 1491 336 1514">Motor filters:</p> <p data-bbox="204 1525 1430 1570">For reduction of dU/dt and peak voltages to the motor windings and for reduction of the acoustic noise generated in the motor, a number of motor filters are offered:</p> <ul data-bbox="240 1581 612 1637" style="list-style-type: none"> <li>- dU/dt filters , 11-250 kW</li> <li>- Sine wave filters, 0.55-250 kW.</li> </ul> <p data-bbox="204 1671 316 1693">Technical:</p> <p data-bbox="204 1704 791 1727">Approvals on nameplate: CE, CULUS, C-TICK</p> <p data-bbox="204 1760 325 1783">Installation:</p> <p data-bbox="204 1794 668 1816">Range of ambient temperature: 0 .. 45 °C</p> <p data-bbox="204 1827 644 1850">Relative humidity: 5-95 %</p> <p data-bbox="204 1883 363 1906">Electrical data:</p> <p data-bbox="204 1917 815 2107"> <table border="0"> <tr> <td>Rated power - P2:</td> <td>45 kW</td> </tr> <tr> <td>Mains frequency:</td> <td>50 / 60 Hz</td> </tr> <tr> <td>Rated voltage [V]:</td> <td>3 x 380-440/441-500 V</td> </tr> <tr> <td>Rated current:</td> <td>90-80 A</td> </tr> <tr> <td>Maximum current consumption:</td> <td>90 A</td> </tr> <tr> <td>Efficiency at full load:</td> <td>98 %</td> </tr> <tr> <td>Enclosure class (IEC 34-5):</td> <td>IP20</td> </tr> </table> </p>	Rated power - P2:	45 kW	Mains frequency:	50 / 60 Hz	Rated voltage [V]:	3 x 380-440/441-500 V	Rated current:	90-80 A	Maximum current consumption:	90 A	Efficiency at full load:	98 %	Enclosure class (IEC 34-5):	IP20
Rated power - P2:	45 kW														
Mains frequency:	50 / 60 Hz														
Rated voltage [V]:	3 x 380-440/441-500 V														
Rated current:	90-80 A														
Maximum current consumption:	90 A														
Efficiency at full load:	98 %														
Enclosure class (IEC 34-5):	IP20														



Company name:

Created by:

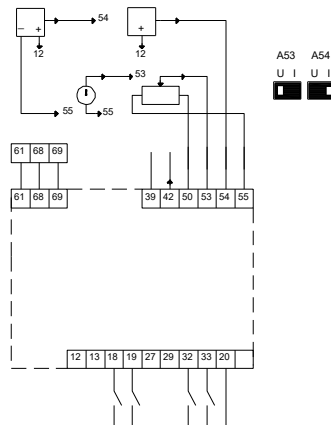
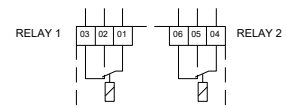
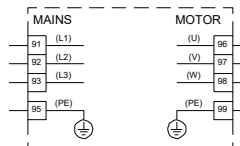
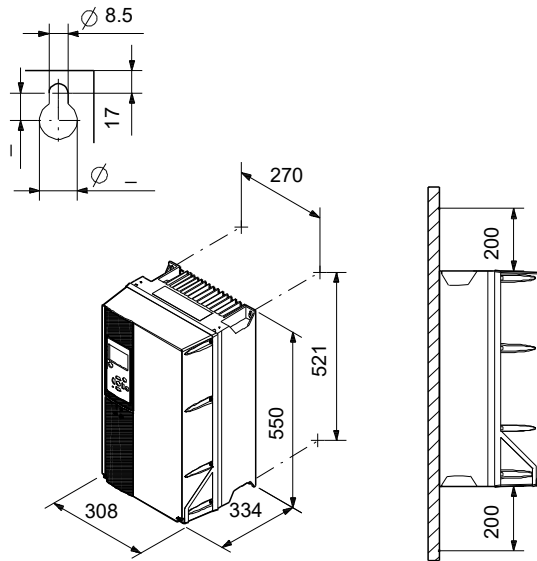
Phone:

Date:

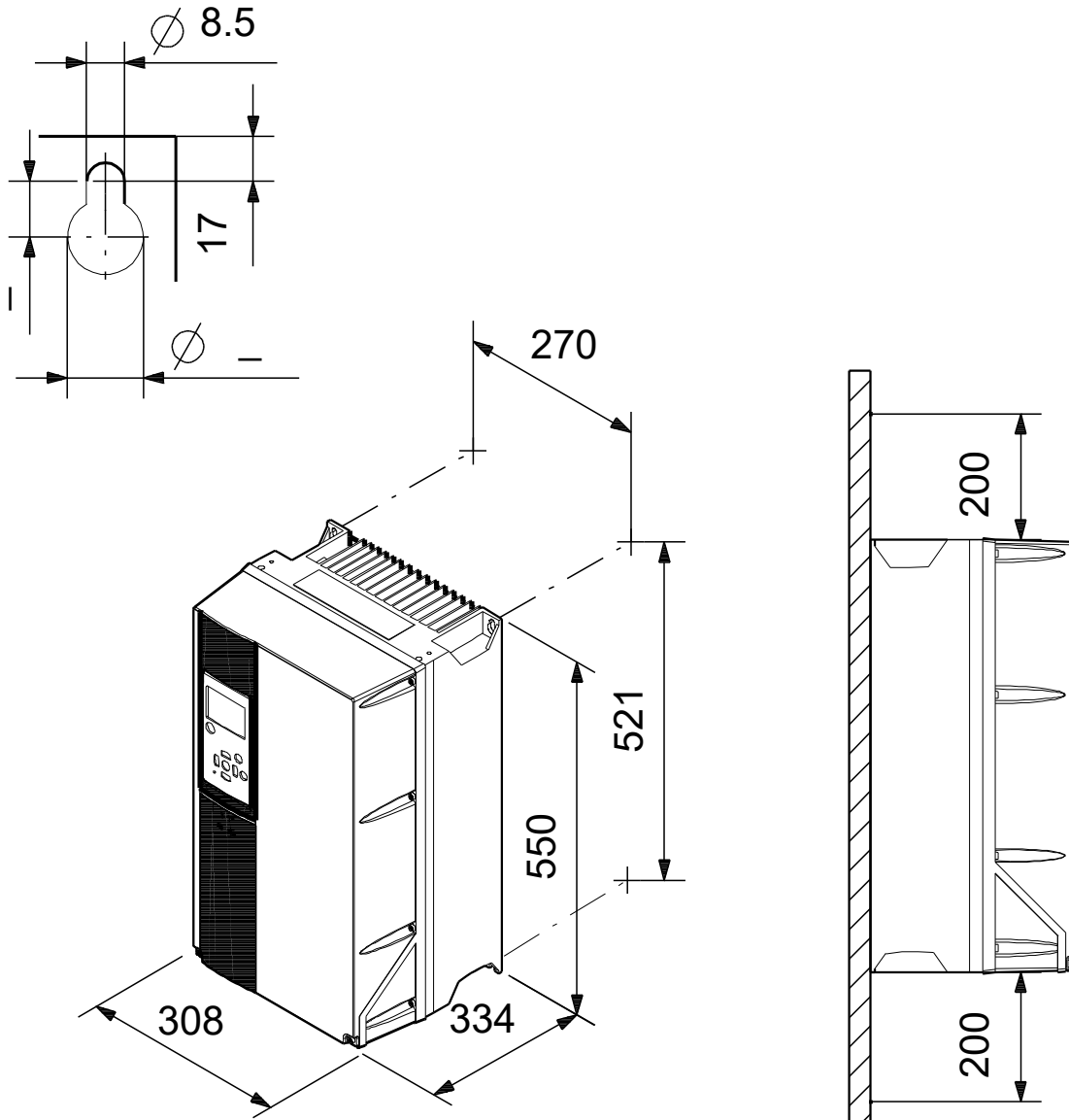
17/06/2022

Qty.	Description
	<p data-bbox="199 336 287 369">Others:</p> <p data-bbox="199 369 630 403">Net weight: 35 kg</p>

Description	Value
<b>General information:</b>	
Product name:	CUE 3X380-500V IP20 45KW STO
Product No:	On request
EAN number:	On request
<b>Technical:</b>	
Approvals on nameplate:	CE, CULUS, C-TICK
<b>Installation:</b>	
Range of ambient temperature:	0 .. 45 °C
Relative humidity:	5-95 %
Mounted on:	Wall
<b>Electrical data:</b>	
Rated power - P2:	45 kW
Mains frequency:	50 / 60 Hz
Rated voltage [V]:	3 x 380-440/441-500 V
Rated current:	90-80 A
Maximum current consumption:	90 A
Efficiency at full load:	98 %
Enclosure class (IEC 34-5):	IP20
Built-in motor protection:	YES
Thermal protec:	external
Cable length:	150/300 m
<b>Others:</b>	
Net weight:	35 kg



## On request CUE 3X380-500V IP20 45KW STO



Note! All units are in [mm] unless others are stated.  
Disclaimer: This simplified dimensional drawing does not show all details.



Company name:

Created by:

Phone:

Date:

17/06/2022

---

**Order Data:**

Product name: CUE 3X380-500V IP20 45KW STO

Amount: 1

Product No: On request

Total: Price on request

---