
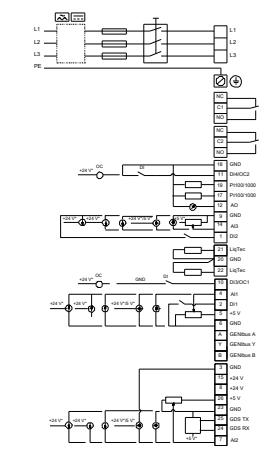
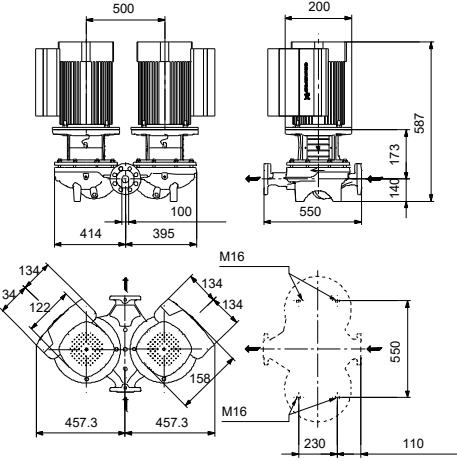
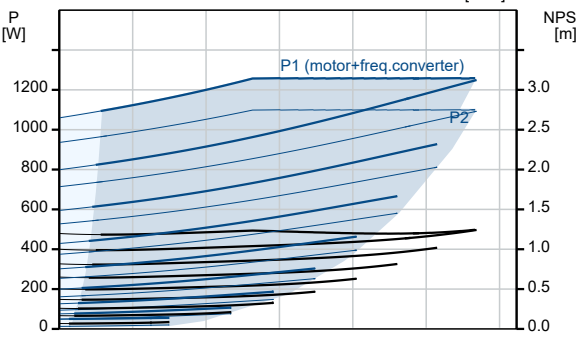
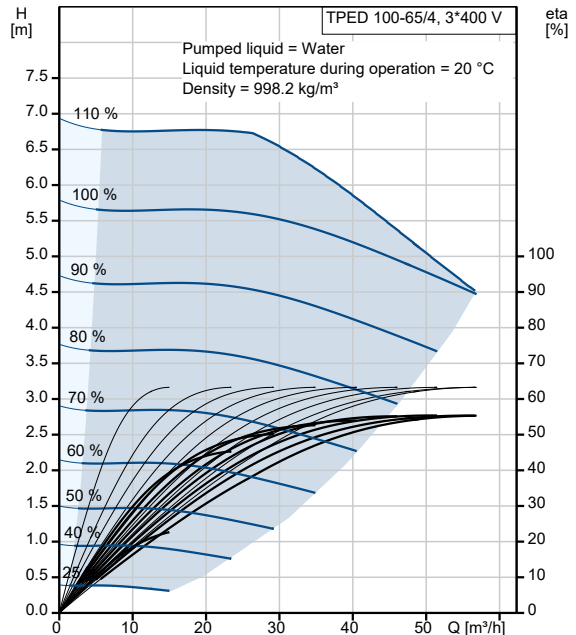


Qty.	Description
1	<p data-bbox="199 159 584 188"><b>TPED 100-65/4 A-F-A-BQQE-GDA</b></p>  <p data-bbox="592 506 1062 528"><b>Note! Product picture may differ from actual product</b></p> <p data-bbox="199 539 480 566">Product No.: On request</p> <p data-bbox="199 600 1458 651">Single-stage, close-coupled, volute twin-head pump with in-line suction and discharge ports of identical diameter. The twin-head pump is designed with two parallel power-heads.</p> <p data-bbox="199 658 1398 710">The pump is of the top-pull-out design, i.e. the power head (motor, pump head and impeller) can be removed for maintenance or service while the pump housing remains in the pipework.</p> <p data-bbox="199 716 911 743">Each power head is fitted with an unbalanced rubber bellows seal.</p> <p data-bbox="199 750 1458 777">The shaft seal is according to EN 12756. Pipework connection is via PN 16 DIN flanges (EN 1092-2 and ISO 7005-2).</p> <p data-bbox="199 804 1390 855">Each power head is fitted with a fan-cooled, permanent-magnet synchronous motor of identical size. The motor efficiency is classified as IE5 in accordance with IEC 60034-30-2.</p> <p data-bbox="199 889 300 916">Controls:</p> <p data-bbox="199 922 639 949">Frequency converter: Built-in</p> <p data-bbox="199 983 272 1010">Liquid:</p> <p data-bbox="199 1016 632 1043">Pumped liquid: Water</p> <p data-bbox="199 1050 703 1077">Liquid temperature range: -25 .. 120 °C</p> <p data-bbox="199 1084 632 1111">Selected liquid temperature: 20 °C</p> <p data-bbox="199 1117 695 1144">Density: 998.2 kg/m<sup>3</sup></p> <p data-bbox="199 1178 312 1205">Technical:</p> <p data-bbox="199 1211 820 1238">Pump speed on which pump data are based: 1445 rpm</p> <p data-bbox="199 1245 683 1272">Rated flow: 54.82 m<sup>3</sup>/h</p> <p data-bbox="199 1279 632 1305">Rated head: 4.6 m</p> <p data-bbox="199 1312 655 1339">Actual impeller diameter: 139 mm</p> <p data-bbox="199 1346 639 1373">Code for shaft seal: BQQE</p> <p data-bbox="199 1379 772 1406">Curve tolerance: ISO9906:2012 3B2</p> <p data-bbox="199 1440 312 1467">Materials:</p> <p data-bbox="199 1473 730 1525">Pump housing: Cast iron EN-GJL-250 ASTM class 35</p> <p data-bbox="199 1532 730 1583">Impeller: Cast iron EN-GJL-200 ASTM class 30</p> <p data-bbox="199 1639 328 1666">Installation:</p> <p data-bbox="199 1673 692 1700">Range of ambient temperature: -20 .. 50 °C</p> <p data-bbox="199 1706 632 1733">Maximum operating pressure: 16 bar</p> <p data-bbox="199 1740 730 1767">Max pressure at stated temp: 16 bar / 120 °C</p> <p data-bbox="199 1774 608 1800">Type of connection: DIN</p> <p data-bbox="199 1807 651 1834">Size of connection: DN 100</p> <p data-bbox="199 1841 632 1868">Pressure rating for connection: PN 16</p> <p data-bbox="199 1874 655 1901">Port-to-port length: 550 mm</p> <p data-bbox="199 1908 632 1935">Flange size for motor: FF165</p> <p data-bbox="199 1968 360 1995">Electrical data:</p> <p data-bbox="199 2002 632 2029">Motor type: 90SD</p> <p data-bbox="199 2036 603 2063">IE Efficiency class: IE5</p> <p data-bbox="199 2069 639 2096">Rated power - P2: 1.1 kW</p> <p data-bbox="199 2103 632 2130">Mains frequency: 50 Hz</p> <p data-bbox="199 2136 719 2163">Rated voltage: 3 x 380-500 V</p>

Qty.	Description
1	<p>Rated current: 2.30-2.10 A  Cos phi - power factor: 0.90-0.74  Rated speed: 180-2000 rpm  Efficiency: 87.2%  Motor efficiency at full load: 87.2 %  Number of poles: 4  Enclosure class (IEC 34-5): IP55  Insulation class (IEC 85): F  Motor No: 98534641</p> <p>Others:  Minimum efficiency index, MEI ≥: 0.70  Net weight: 176 kg  Gross weight: 208 kg  Shipping volume: 1.14 m<sup>3</sup>  Country of origin: HU  Custom tariff no.: 84137051</p>

Description	Value
<b>General information:</b>	
Product name:	TPED 100-65/4 A-F-A-BQQE-GDA
Product No:	On request
EAN number:	On request
<b>Technical:</b>	
Pump speed on which pump data are based:	1445 rpm
Rated flow:	54.82 m <sup>3</sup> /h
Rated head:	4.6 m
Maximum head:	65 dm
Actual impeller diameter:	139 mm
Code for shaft seal:	BQQE
Curve tolerance:	ISO9906:2012 3B2
Pump version:	A
<b>Materials:</b>	
Pump housing:	Cast iron
Pump housing:	EN-GJL-250
Pump housing:	ASTM class 35
Impeller:	Cast iron
Impeller:	EN-GJL-200
Impeller:	ASTM class 30
Material code:	A
<b>Installation:</b>	
Range of ambient temperature:	-20 .. 50 °C
Maximum operating pressure:	16 bar
Max pressure at stated temp:	16 bar / 120 °C
Type of connection:	DIN
Size of connection:	DN 100
Pressure rating for connection:	PN 16
Port-to-port length:	550 mm
Flange size for motor:	FF165
Connect code:	F
<b>Liquid:</b>	
Pumped liquid:	Water
Liquid temperature range:	-25 .. 120 °C
Selected liquid temperature:	20 °C
Density:	998.2 kg/m <sup>3</sup>
<b>Electrical data:</b>	
Motor type:	90SD
IE Efficiency class:	IE5
Rated power - P2:	1.1 kW
Mains frequency:	50 Hz
Rated voltage:	3 x 380-500 V
Rated current:	2.30-2.10 A
Cos phi - power factor:	0.90-0.74
Rated speed:	180-2000 rpm
Efficiency:	87.2%
Motor efficiency at full load:	87.2 %
Number of poles:	4
Enclosure class (IEC 34-5):	IP55
Insulation class (IEC 85):	F
Built-in motor protection:	ELEC
Motor No:	98534641
<b>Controls:</b>	
Control panel:	HMI200 - Standard
Function Module:	FM300 - Advanced
Frequency converter:	Built-in
<b>Others:</b>	
Minimum efficiency index, MEI ≥:	0.70
Net weight:	176 kg
Gross weight:	208 kg
Shipping volume:	1.14 m <sup>3</sup>
Config. file no:	98478703



Description	Value
Country of origin:	HU
Custom tariff no.:	84137051



