
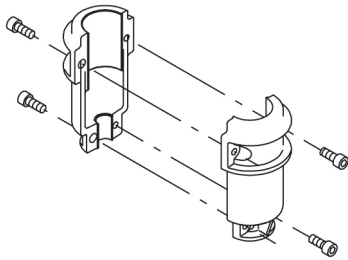


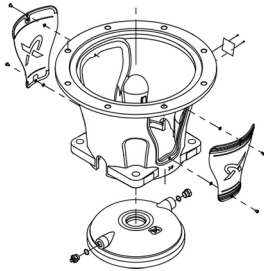
| Qty. | Description |
|------|--|
| 1 | <p data-bbox="201 159 520 185">CRE 125-1-1 N-F-A-E-HQQE</p> <div data-bbox="312 212 432 495" style="text-align: center;">  </div> <p data-bbox="592 506 1062 528" style="text-align: center;">Note! Product picture may differ from actual product</p> <p data-bbox="201 539 464 562">Product No.: 99264451</p> <p data-bbox="201 600 1430 696">Vertical, multistage centrifugal pump with inlet and outlet ports on same the level (inline). The pump head and base are in cast iron – all other wetted parts are in stainless steel. The Grundfos cartridge shaft seal ensures high reliability, safe handling, and easy access and service. Power transmission is via a rigid split coupling. Pipe connection is via DIN flanges.</p> <p data-bbox="201 741 916 763">The pump is fitted with a 3-phase, fan-cooled asynchronous motor.</p> <p data-bbox="201 772 1394 819">The motor includes a frequency converter and PI controller in the motor terminal box. This enables continuously variable control of the motor speed, which again enables adaptation of the performance to a given requirement.</p> <p data-bbox="201 828 1449 875">An operating panel on the motor terminal box enables setting of required setpoint as well as setting of pump to "Min." or "Max." operation or to "Stop". The operating panel has indicator lights for "Operation" and "Fault".</p> <p data-bbox="201 884 1422 958">Communication with the pump is possible by means of Grundfos GO Remote (accessory). The remote control enables further settings as well as reading out of a number of parameters such as "Actual value", "Speed", "Power input" and total "Power consumption".</p> <p data-bbox="201 972 794 994">The terminal box holds terminals for these connections:</p> <ul data-bbox="240 1003 1458 1350" style="list-style-type: none"> • pump start/stop input (potential-free contact) • remote setpoint setting via analog signal, 0-10 V, 0(4)-20 mA • 10 V voltage supply for setpoint potentiometer, I_{max} = 5 mA • three analog sensor inputs, 0-10 V, 0(4)-20 mA; the factory-fitted pressure sensor is connected to one of these inputs • 24 V voltage supply for sensor, I_{max} = 40 mA • one analog output • three digital inputs • two Pt100 inputs • two potential-free fault signal relays with changeover contact, reporting "Fault", "Operation" or "Ready" • RS-485 GENIbus connection • interface for Grundfos CIM fieldbus module. <p data-bbox="201 1386 512 1413">Further product details</p> <p data-bbox="201 1422 1366 1469">The pump is equipped with a pressure sensor registering pump outlet pressure and enabling controlled pump operation based on constant pressure.</p> <p data-bbox="201 1478 1449 1525">An operating panel on the motor terminal box enables setting of required setpoint as well as setting of pump to "Min." or "Max." operation or to "Stop". The operating panel has indicator lights for "Operation" and "Fault".</p> <p data-bbox="201 1534 1422 1608">Communication with the pump is possible by means of Grundfos GO Remote (accessory). The remote control enables further settings as well as reading out of a number of parameters such as "Actual value", "Speed", "Power input" and total "Power consumption".</p> <p data-bbox="201 1621 1394 1668">Steel, cast iron and aluminium components have an epoxy-based coating made in a cathodic electro-deposition (CED) process.</p> <p data-bbox="201 1677 1430 1724">CED is a high-quality dip-painting process where an electrical field around the products ensures deposition of paint particles as a thin, well-controlled layer on the surface.</p> <p data-bbox="201 1738 719 1760">An integral part of the process is a pretreatment.</p> <p data-bbox="201 1769 700 1792">The entire process consists of these elements:</p> <ol data-bbox="225 1800 703 1912" style="list-style-type: none"> 1) Alkaline-based cleaning. 2) Zinc phosphating. 3) Cathodic electro-deposition. 4) Curing to a dry film thickness 18-22 my m. <p data-bbox="201 1921 892 1944">The colour code for the finished product is NCS 9000/RAL 9005.</p> <p data-bbox="201 1980 280 2007">Pump</p> <p data-bbox="201 2016 1430 2063">A long split coupling connects the pump and motor shaft. It is enclosed in the motor stool by means of two coupling guards. The long coupling makes it possible to replace the shaft seal without removing the motor from the pump.</p> |

| Qty. | Description |
|------|-------------|
|------|-------------|

1



The motor stool connects the pump head and motor. The pump head has a combined 1/2" priming plug and vent screw.



The pump is fitted with a balanced O-ring seal unit with a rigid torque-transmission system.

This seal type is assembled in a cartridge unit which makes replacement safe and easy.

Due to the balancing, this seal type is suitable for high-pressure applications.

The cartridge construction also protects the pump shaft from possible wear from a dynamic O-ring between pump shaft and shaft seal.

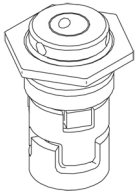
Seal faces:

- Rotating seal ring material: silicon carbide (SiC)
- Stationary seat material: silicon carbide (SiC)

This material pairing is used where higher corrosion resistance is required. The high hardness of this material pairing offers good resistance against abrasive particles.

Secondary seal material: EPDM (ethylene-propylene rubber)

EPDM has excellent resistance to hot water. EPDM is not suitable for mineral oils.



The shaft seal is screwed into the pump head.

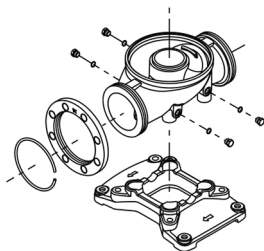
The chambers and impellers are made of stainless-steel sheet. The chambers are provided with a PEEK neck ring offering improved sealing and high efficiency. The impellers have smooth surfaces, and the shape of the blades ensure a high efficiency.

The base is made of cast iron and mounted on a separate cast-iron base plate.

Both the inlet and the outlet side of the base have two pressure gauge tapings.

The pump is secured to the foundation by four bolts through the base plate.

The flanges are fastened to the base by means of locking rings.



Motor

The motor is a totally enclosed, fan-cooled motor with principal dimensions to IEC and DIN standards. The motor is flange-mounted with free-hole flange (FF).

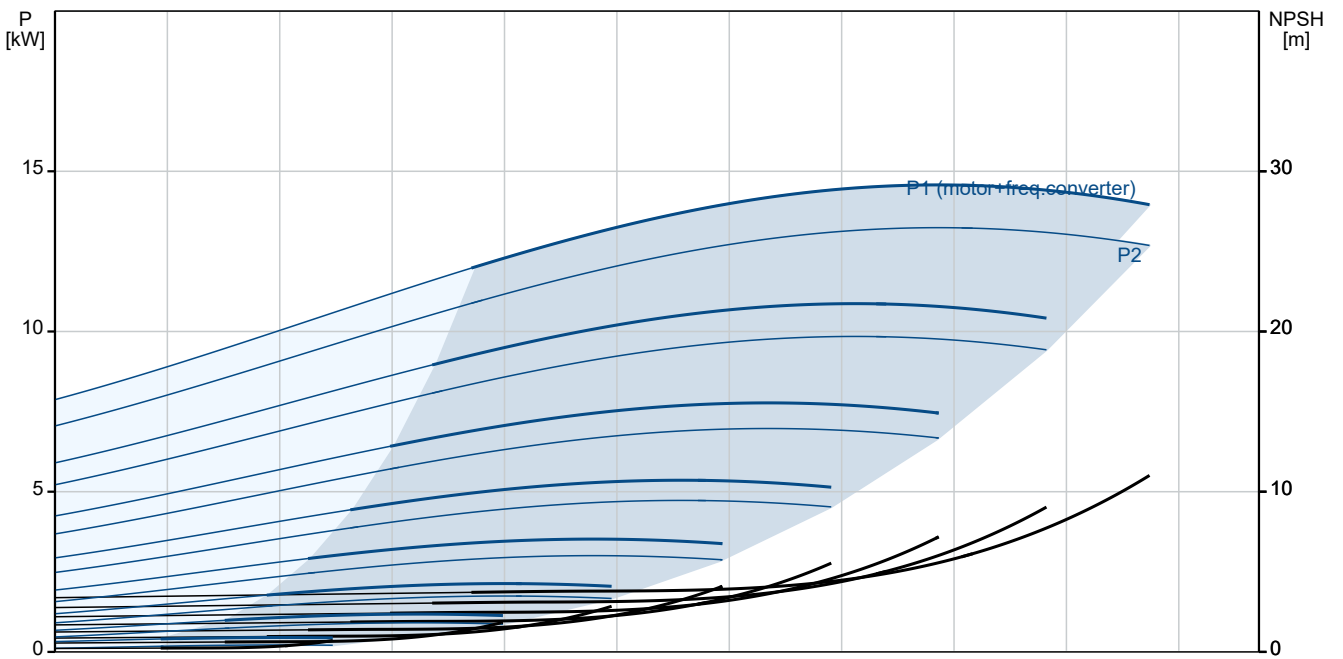
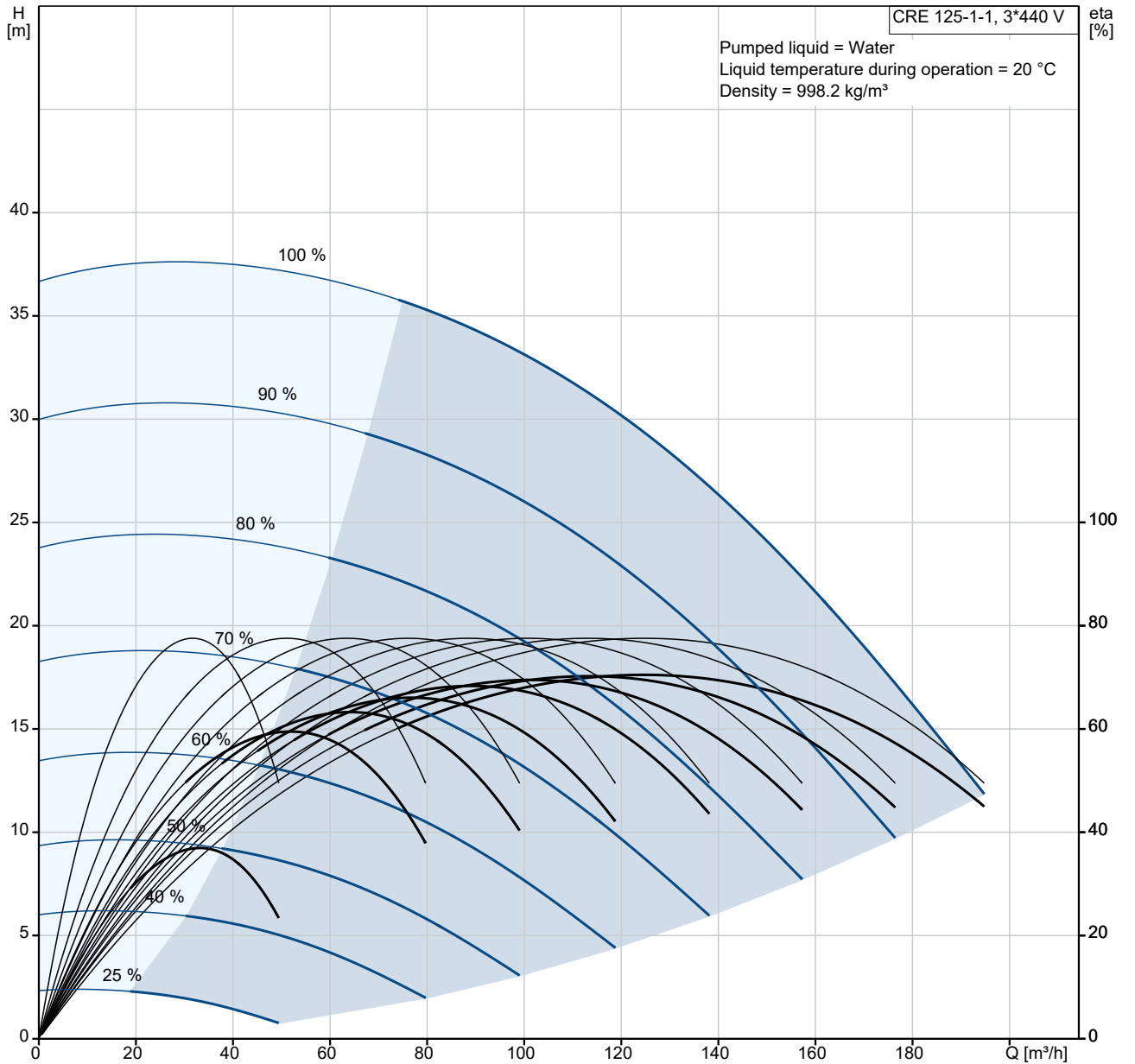
Motor-mounting designation in accordance with IEC 60034-7: IM B 5 (Code I) / IM 3001 (Code II).

Electrical tolerances comply with IEC 60034.

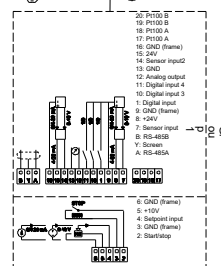
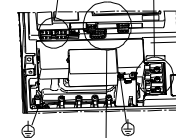
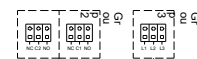
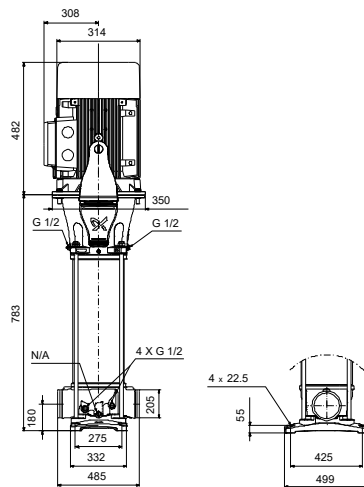
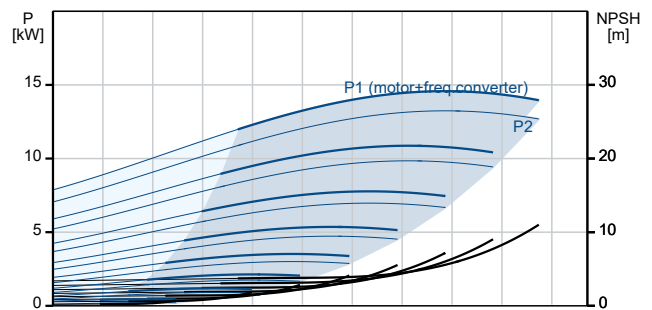
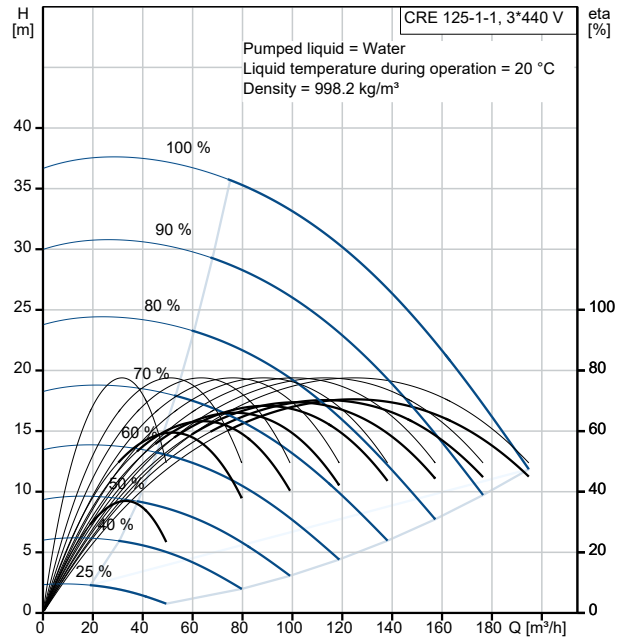
| Qty. | Description |
|------|--|
| 1 | <p>The motor efficiency is classified as IE3 in accordance with IEC 60034-30-1. The motor requires no external motor protection. The motor control unit incorporates protection against slow- and quick-rising temperatures, e.g. constant overload and stalled conditions.</p> |
| | <p>Technical data</p> |
| | <p>Liquid: Pumped liquid: Water Liquid temperature range: -20 .. 120 °C Selected liquid temperature: 20 °C Density: 998.2 kg/m³</p> |
| | <p>Technical: Pump speed on which pump data are based: 3556 rpm Rated flow: 150 m³/h Rated head: 24.4 m Pump orientation: Vertical Shaft seal arrangement: Single Code for shaft seal: HQQE Approvals and markings: CE,EAC,UKCA,SEPRO Approvals for drinking water: ACS Curve tolerance: ISO9906:2012 3B</p> |
| | <p>Materials: Base: Ductile cast iron EN 1563 EN-GJS-500-7 ASTM A536-84 65-45-12 Impeller: Stainless steel EN 1.4301 AISI 304 Bearing arrangement: WC/WC Support bearing: Graflon Material certified according to: European standards</p> |
| | <p>Installation: t max amb: 40 °C Maximum operating pressure: 16 bar Max pressure at stated temp: 16 bar / 120 °C Type of connection: DIN Size of inlet connection: DN 150 Size of outlet connection: DN 150 Pressure rating for connection: PN 16 Flange size for motor: FF300</p> |
| | <p>Electrical data: Motor standard: IEC Motor type: 160MD IE Efficiency class: IE3 Rated power - P2: 15 kW Power (P2) required by pump: 15 kW Over/undersize motor: Standard motor size Mains frequency: 50 / 60 Hz Rated voltage: 3 x 380-480 V Rated current: 30.0-26.0 A Cos phi - power factor: 0.91-0.86 Rated speed: 480-3540 rpm Efficiency: IE3 91,9% Motor efficiency at full load: 91.9 % Number of poles: 2 Enclosure class (IEC 34-5): IP55 Insulation class (IEC 85): F Motor No: 85901025</p> |
| | <p>Controls: Frequency converter: Built-in</p> |

| Qty. | Description |
|------|---|
| 1 | Pressure sensor: Y Others: Minimum efficiency index, MEI ≥: 0.70 Net weight: 278 kg Gross weight: 342 kg Shipping volume: 1.14 m ³ Thrust handling device: N Country of origin: DK Custom tariff no.: 84137075 |

99264451 CRE 125-1-1 N-F-A-E-HQQE

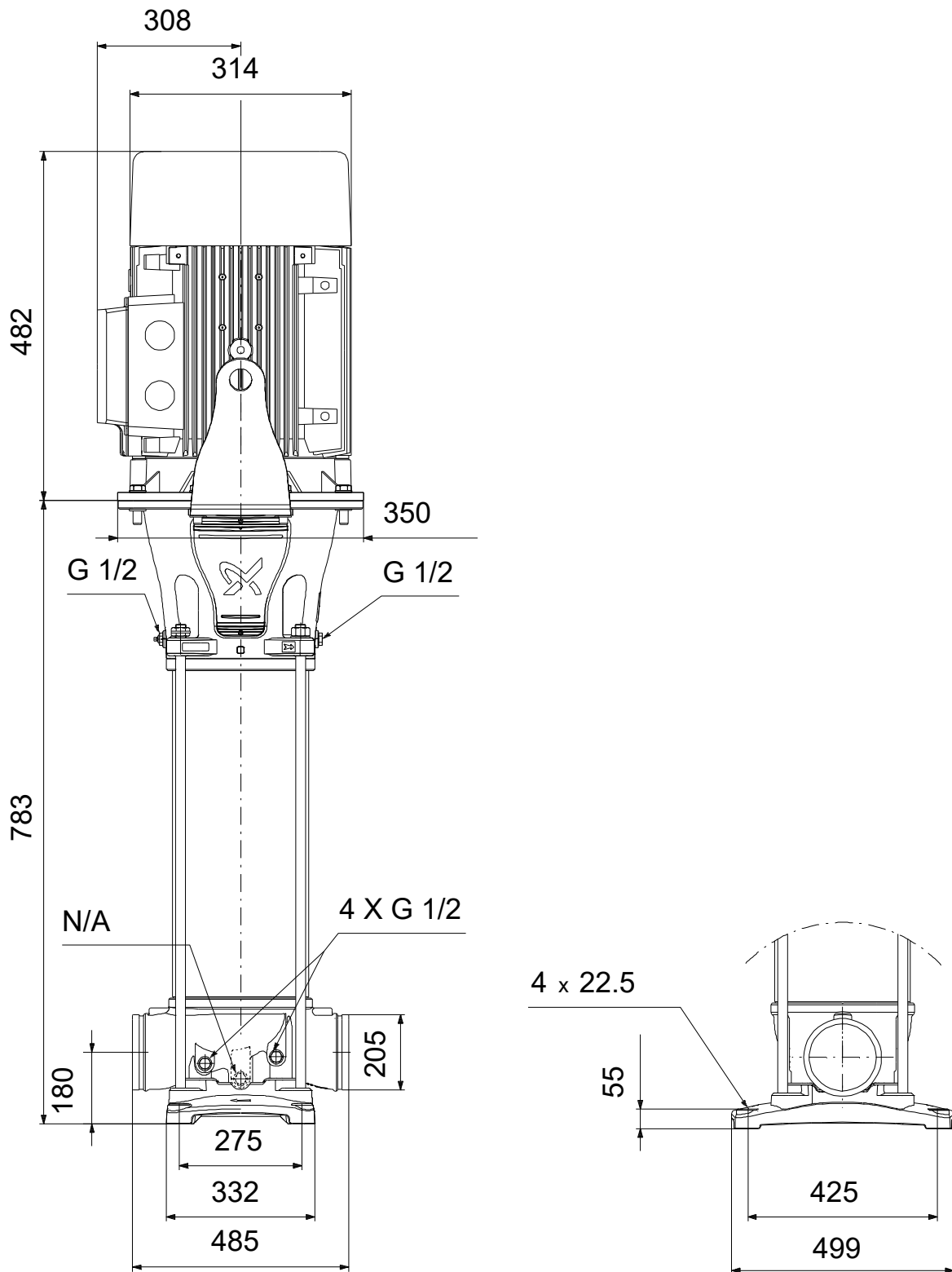


| Description | Value |
|---|-----------------------------|
| General information: | |
| Product name: | CRE 125-1-1 N-F-A-E-HQQE |
| Product No: | 99264451 |
| EAN number: | 5713826224752 |
| Technical: | |
| Pump speed on which pump data are based: | 3556 rpm |
| Rated flow: | 150 m ³ /h |
| Rated head: | 24.4 m |
| Maximum head: | 37.7 m |
| Impellers: | 1 |
| Number of reduced-diameter impellers: | 1 |
| Low NPSH: | N |
| Pump orientation: | Vertical |
| Shaft seal arrangement: | Single |
| Code for shaft seal: | HQQE |
| Approvals and markings: | CE,EAC,UKCA,SEPRO |
| Approvals for drinking water: | ACS |
| Curve tolerance: | ISO9906:2012 3B |
| Pump version: | N |
| The first model is called A which is followed by model B, C etc.: | A |
| Materials: | |
| Base: | Ductile cast iron |
| Base: | EN 1563 EN-GJS-500-7 |
| Base: | ASTM A536-84 65-45-12 |
| Impeller: | Stainless steel |
| Impeller: | EN 1.4301 |
| Impeller: | AISI 304 |
| Material code: | A |
| Code for rubber: | E |
| Bearing arrangement: | WC/WC |
| Support bearing: | Graflon |
| Material certified according to: | European standards |
| Installation: | |
| t max amb: | 40 °C |
| Maximum operating pressure: | 16 bar |
| Max pressure at stated temp: | 16 bar / 120 °C |
| Type of connection: | DIN |
| Size of inlet connection: | DN 150 |
| Size of outlet connection: | DN 150 |
| Pressure rating for connection: | PN 16 |
| Flange size for motor: | FF300 |
| Connect code: | F |
| Liquid: | |
| Pumped liquid: | Water |
| Liquid temperature range: | -20 .. 120 °C |
| Selected liquid temperature: | 20 °C |
| Density: | 998.2 kg/m ³ |
| Electrical data: | |
| Motor standard: | IEC |
| Motor type: | 160MD |
| IE Efficiency class: | IE3 |
| Rated power - P1: | 15 kW |
| Power (P2) required by pump: | 15 kW |
| Over/undersize motor: | Standard motor size |
| Mains frequency: | 50 / 60 Hz |
| Rated voltage: | 3 x 380-480 V |
| Rated current: | 30.0-26.0 A |
| Cos phi - power factor: | 0.91-0.86 |
| Rated speed: | 480-3540 rpm |
| Efficiency: | IE3 91,9% |
| Motor efficiency at full load: | 91.9 % |
| Number of poles: | 2 |



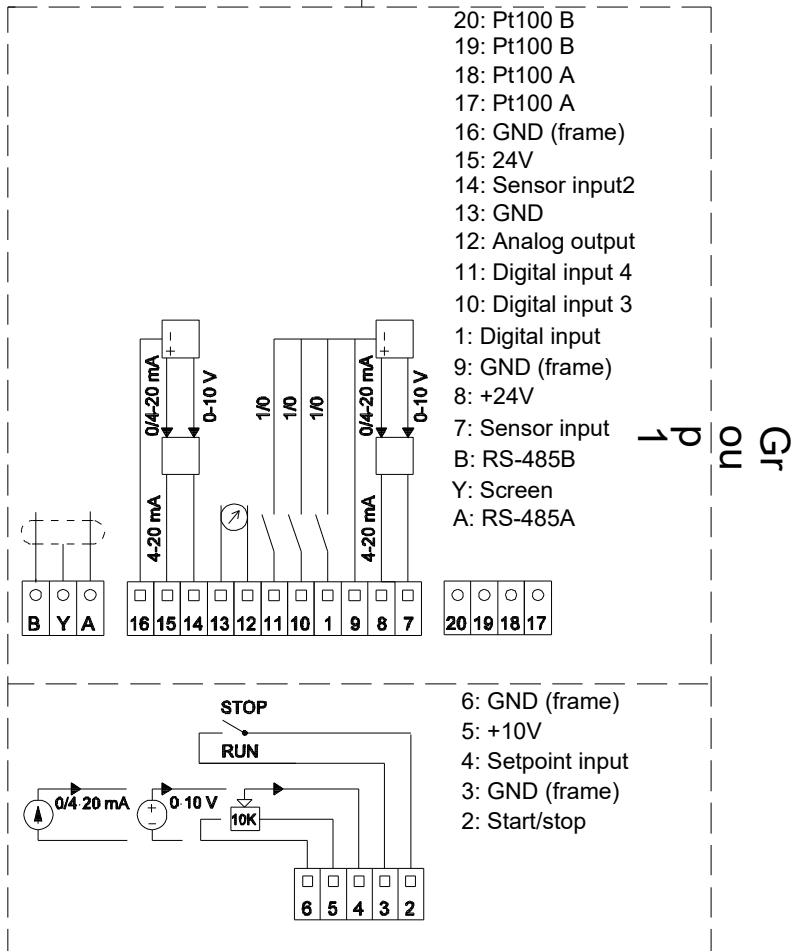
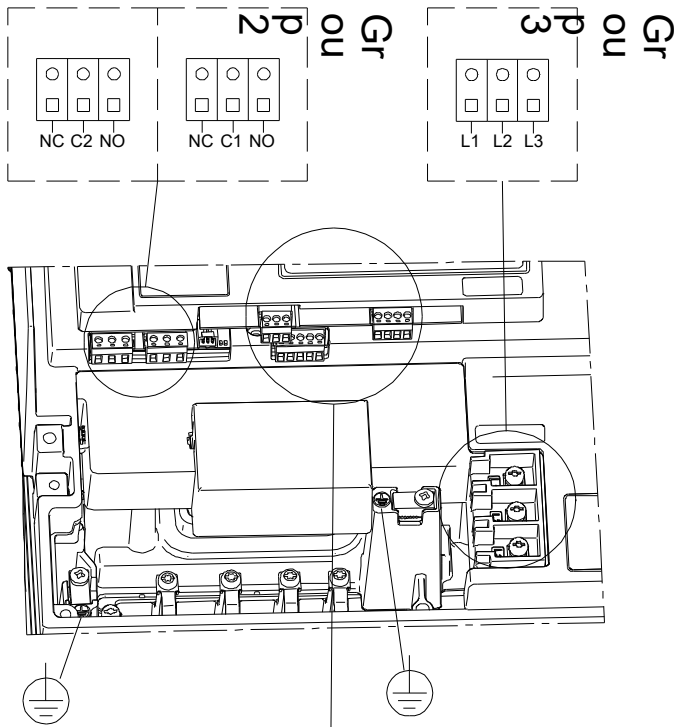
| Description | Value |
|----------------------------------|---------------------|
| Enclosure class (IEC 34-5): | IP55 |
| Insulation class (IEC 85): | F |
| Built-in motor protection: | YES |
| Motor No: | 85901025 |
| Controls: | |
| Function Module: | ADVANCED I/O |
| Frequency converter: | Built-in |
| Pressure sensor: | Y |
| Others: | |
| Minimum efficiency index, MEI ≥: | 0.70 |
| Net weight: | 278 kg |
| Gross weight: | 342 kg |
| Shipping volume: | 1.14 m ³ |
| Config. file no: | 95139528 |
| Thrust handling device: | N |
| Country of origin: | DK |
| Custom tariff no.: | 84137075 |

99264451 CRE 125-1-1 N-F-A-E-HQQE



Note! All units are in [mm] unless others are stated.
 Disclaimer: This simplified dimensional drawing does not show all details.

99264451 CRE 125-1-1 N-F-A-E-HQQE



Note! All units are in [mm] unless others are stated.

