
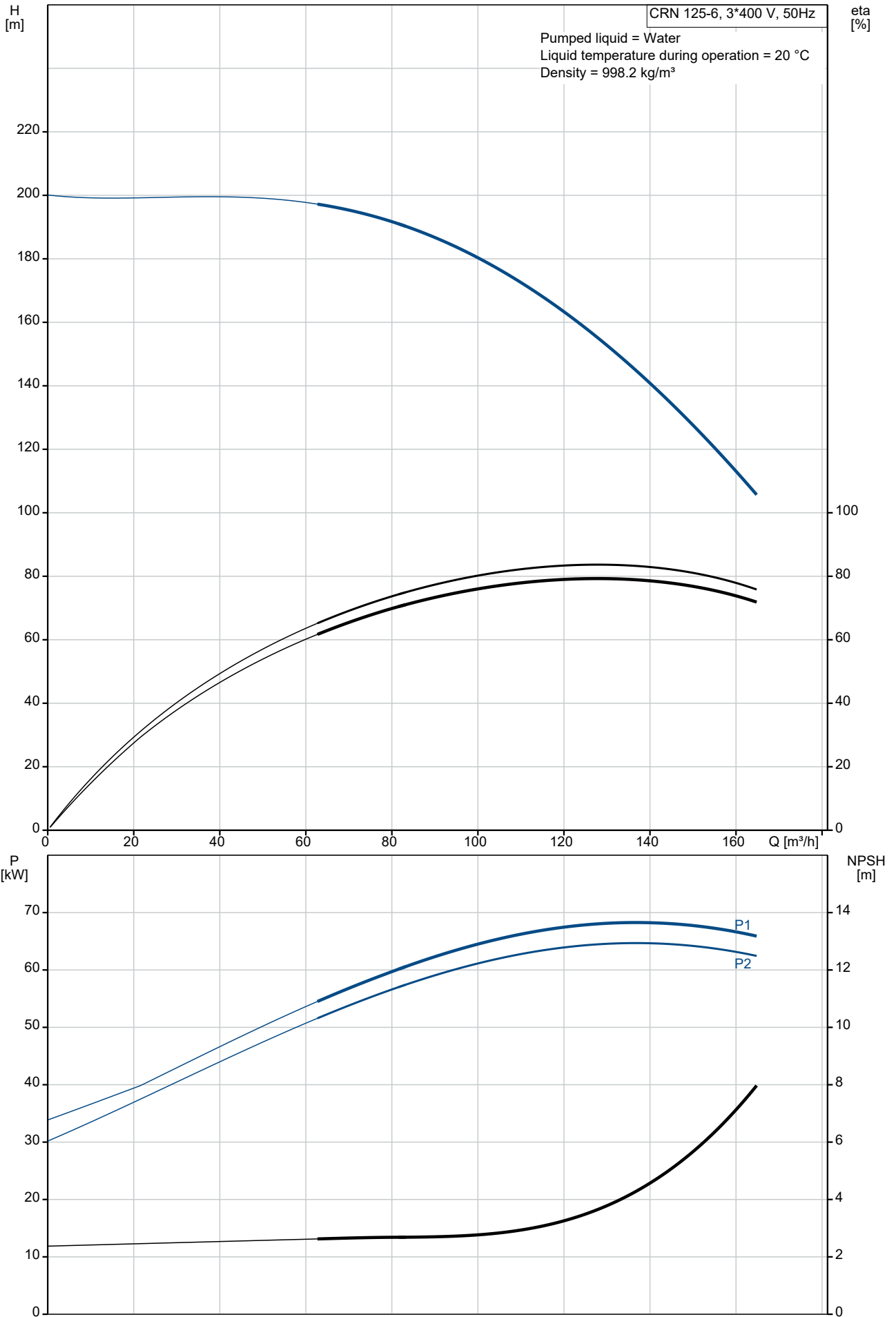


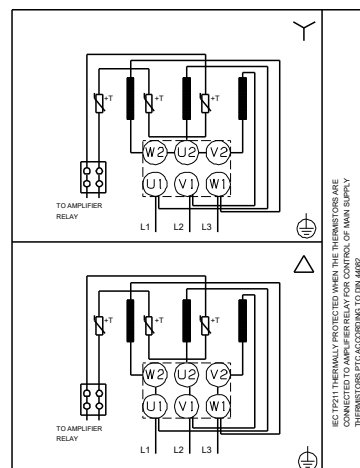
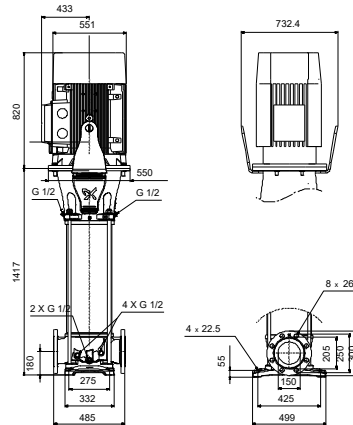
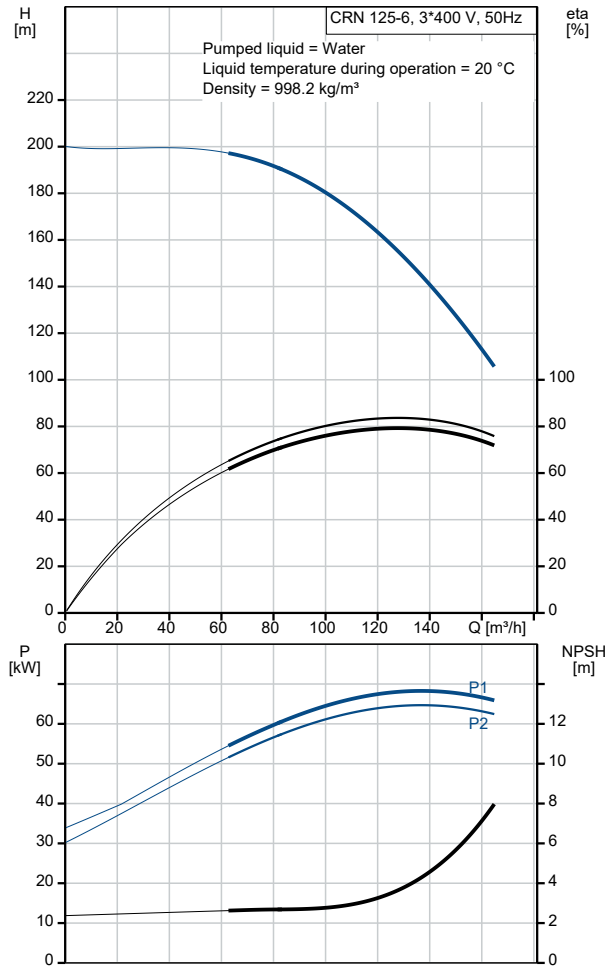
| Qty. | Description |
|------|--|
| 1 | CRN 125-6 A-F-A-E-HQQE |
| |  |
| | Note! Product picture may differ from actual product |
| | Product No.: On request |
| | <p>Vertical, multistage centrifugal pump with inlet and outlet ports on same the level (inline). Pump materials in contact with the liquid are in high-grade stainless steel. A built-in thrust-handling device absorbs hydraulic axial forces which enables the use of a standard motor.</p> |
| | <p>The Grundfos cartridge shaft seal ensures high reliability, safe handling, and easy access and service. Wear parts in the shaft seal are available as service kits and can be replaced without having to renew the complete shaft seal. Power transmission is via a rigid split coupling. Pipe connection is via DIN flanges.</p> |
| | <p>The pump is fitted with a 3-phase, fan-cooled asynchronous motor.</p> |
| | <p>Liquid: Pumped liquid: Water Liquid temperature range: -20 .. 120 °C Selected liquid temperature: 20 °C Density: 998.2 kg/m³</p> |
| | <p>Technical: Pump speed on which pump data are based: 2979 rpm Rated flow: 125 m³/h Rated head: 157.7 m Pump orientation: Vertical Shaft seal arrangement: Single Code for shaft seal: HQQE Approvals: CE,EAC,UKCA,SEPRO Curve tolerance: ISO9906:2012 3B</p> |
| | <p>Materials: Base: Stainless steel EN 1.4408 ASTM A351 CF8M Impeller: Stainless steel EN 1.4401 AISI 316 Bearing: WC/WC Support bearing: Graflon Thrust handling device: SiC/WC Material certified according to: European standards</p> |
| | <p>Installation: t max amb: 55 °C Maximum operating pressure: 25 bar Max pressure at stated temp: 25 bar / 120 °C Type of connection: DIN Size of inlet connection: DN 150 Size of outlet connection: DN 150 Pressure rating for connection: PN 25/40 Flange size for motor: FF500</p> |
| | <p>Electrical data: Motor standard: IEC Motor type: SIEMENS IE Efficiency class: IE3 Rated power - P2: 75 kW</p> |

| Qty. | Description |
|------|--|
| 1 | <p>Power (P2) required by pump: 75 kW Mains frequency: 50 Hz Rated voltage: 3 x 380-420D/660-725Y V Rated current: 128/74 A Starting current: 680-680 % Cos phi - power factor: 0.89 Rated speed: 2975 rpm Efficiency: IE3 94,7% Motor efficiency at full load: 94.7-94.7 % Motor efficiency at 3/4 load: 94.8-94.8 % Motor efficiency at 1/2 load: 94.1-94.1 % Number of poles: 2 Enclosure class (IEC 34-5): IP55 Insulation class (IEC 85): F Motor No: 83U15240</p> <p>Controls: Frequency converter: NONE</p> <p>Others: Minimum efficiency index, MEI \geq: 0.70 Net weight: 771 kg Gross weight: 953 kg Shipping volume: 2.91 m³ Danish VVS No.: 386936260 Finnish LVI No.: 4925632 Thrust handling device: Y</p> |

On request CRN 125-6 A-F-A-E-HQQE 50 Hz

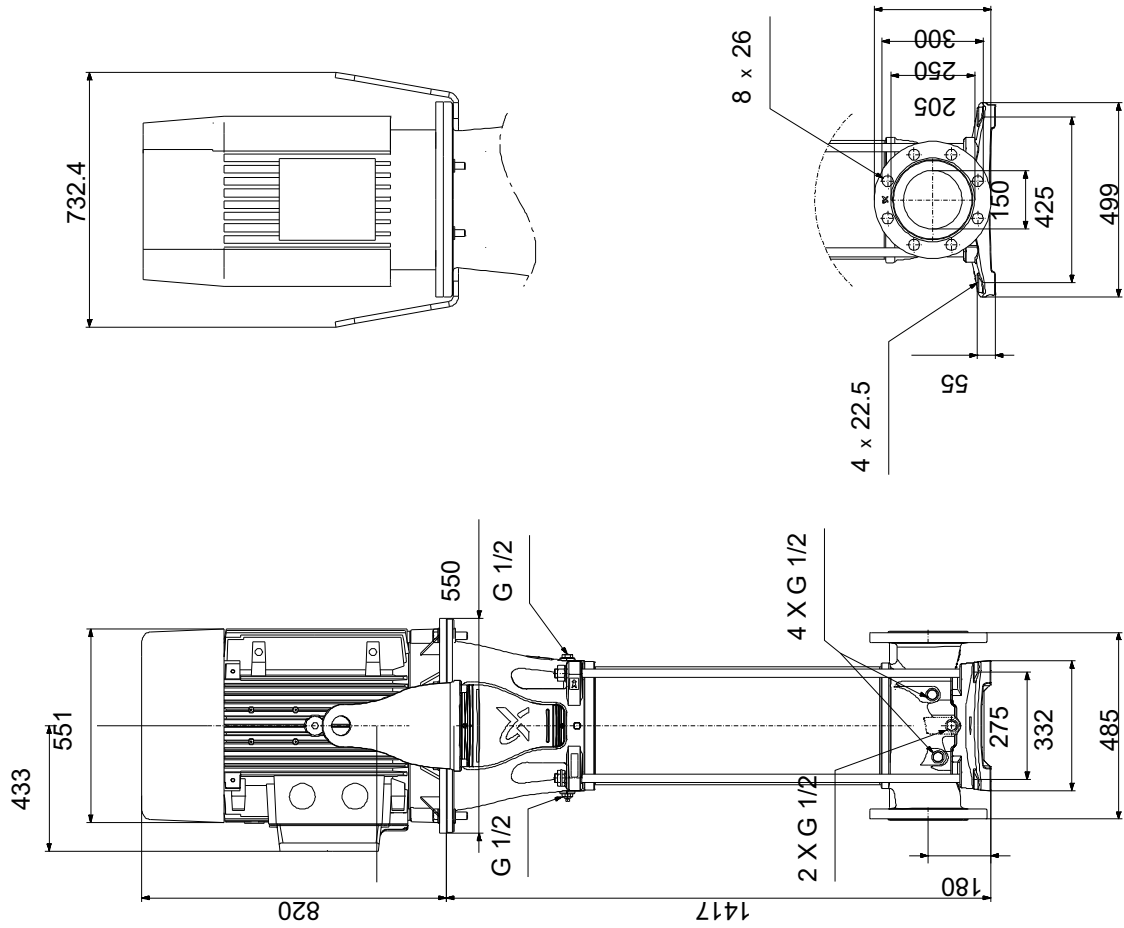


| Description | Value |
|--|---------------------------|
| General information: | |
| Product name: | CRN 125-6 A-F-A-E-HQQE |
| Product No: | On request |
| EAN number: | On request |
| Technical: | |
| Pump speed on which pump data are based: | 2979 rpm |
| Rated flow: | 125 m ³ /h |
| Rated head: | 157.7 m |
| Maximum head: | 199.9 m |
| Impellers: | 6 |
| Number of reduced-diameter impellers: | 0 |
| Low NPSH: | N |
| Pump orientation: | Vertical |
| Shaft seal arrangement: | Single |
| Code for shaft seal: | HQQE |
| Approvals: | CE,EAC,UKCA,SEPRO |
| Curve tolerance: | ISO9906:2012 3B |
| Pump version: | A |
| Model: | A |
| Cooling: | IC 411 |
| Materials: | |
| Base: | Stainless steel |
| Base: | EN 1.4408 |
| Base: | ASTM A351 CF8M |
| Impeller: | Stainless steel |
| Impeller: | EN 1.4401 |
| Impeller: | AISI 316 |
| Material code: | A |
| Code for rubber: | E |
| Bearing: | WC/WC |
| Support bearing: | Graffon |
| Thrust handling device: | SiC/WC |
| Material certified according to: | European standards |
| Installation: | |
| t max amb: | 55 °C |
| Maximum operating pressure: | 25 bar |
| Max pressure at stated temp: | 25 bar / 120 °C |
| Type of connection: | DIN |
| Size of inlet connection: | DN 150 |
| Size of outlet connection: | DN 150 |
| Pressure rating for connection: | PN 25/40 |
| Flange size for motor: | FF500 |
| Connect code: | F |
| Liquid: | |
| Pumped liquid: | Water |
| Liquid temperature range: | -20 .. 120 °C |
| Selected liquid temperature: | 20 °C |
| Density: | 998.2 kg/m ³ |
| Electrical data: | |
| Motor standard: | IEC |
| Motor type: | SIEMENS |
| IE Efficiency class: | IE3 |
| Rated power - P2: | 75 kW |
| Power (P2) required by pump: | 75 kW |
| Mains frequency: | 50 Hz |
| Rated voltage: | 3 x 380-420D/660-725Y V |
| Rated current: | 128/74 A |
| Starting current: | 680-680 % |
| Cos phi - power factor: | 0.89 |
| Rated speed: | 2975 rpm |
| Efficiency: | IE3 94,7% |
| Motor efficiency at full load: | 94.7-94.7 % |



| Description | Value |
|----------------------------------|---------------------|
| Motor efficiency at 3/4 load: | 94.8-94.8 % |
| Motor efficiency at 1/2 load: | 94.1-94.1 % |
| Number of poles: | 2 |
| Enclosure class (IEC 34-5): | IP55 |
| Insulation class (IEC 85): | F |
| Built-in motor protection: | PTC |
| Motor No: | 83U15240 |
| Controls: | |
| Frequency converter: | NONE |
| Others: | |
| Minimum efficiency index, MEI ≥: | 0.70 |
| Net weight: | 771 kg |
| Gross weight: | 953 kg |
| Shipping volume: | 2.91 m ³ |
| Danish VVS No.: | 386936260 |
| Finnish LVI No.: | 4925632 |
| Thrust handling device: | Y |

On request CRN 125-6 A-F-A-E-HQQE 50 Hz



Note! All units are in [mm] unless others are stated.
 Disclaimer: This simplified dimensional drawing does not show all details.

On request CRN 125-6 A-F-A-E-HQQE 50 Hz



IEC TP211 THERMALLY PROTECTED WHEN THE THERMISTORS ARE
 CONNECTED TO AMPLIFIER RELAY FOR CONTROL OF MAIN SUPPLY
 THERMISTORS PTC ACCORDING TO DIN 44082

Note! All units are in [mm] unless others are stated.

Order Data:

| Position | Your pos. | Product name | Amount | Product No | Total |
|----------|-----------|--------------|--------|------------|------------------|
| | | CRN 125-6 | 1 | On request | Price on request |
| | | | | | |