
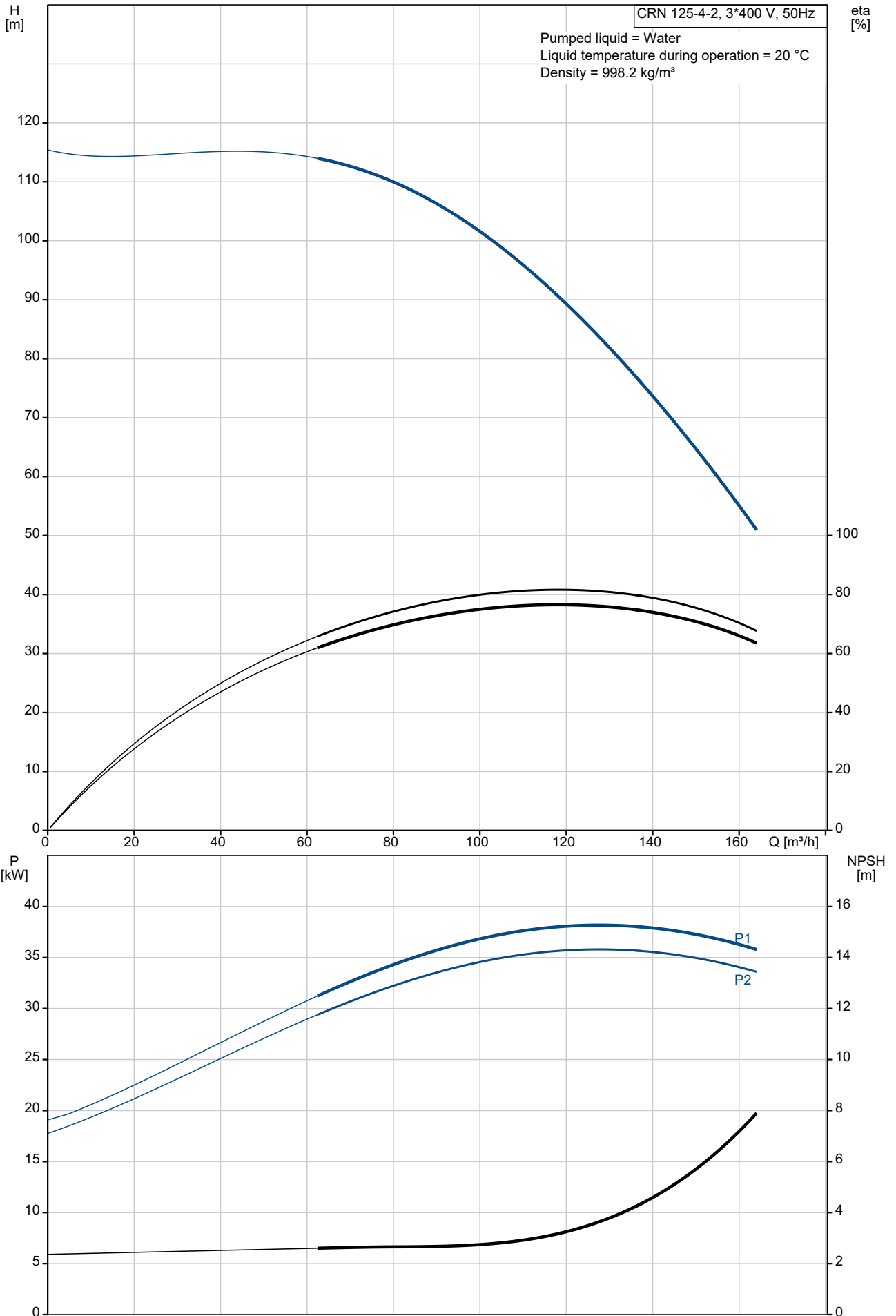


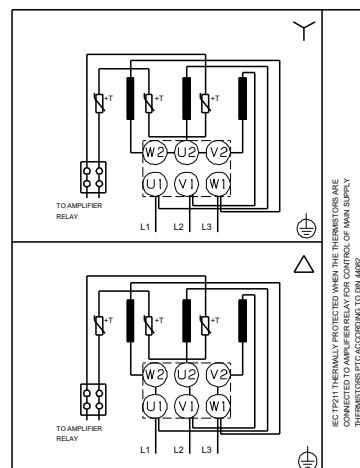
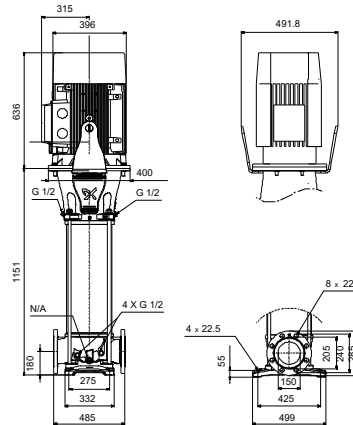
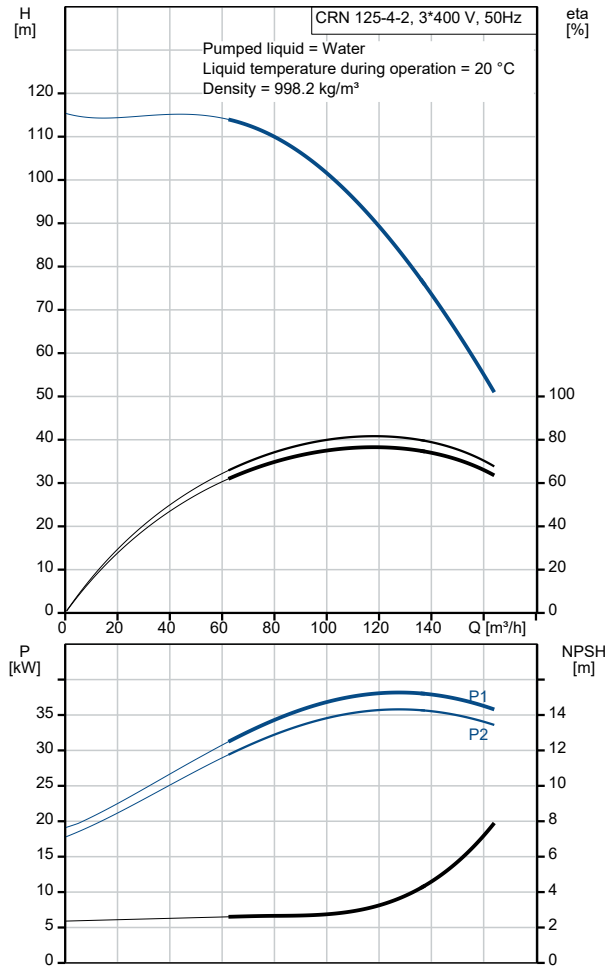
Qty.	Description																																																																
1	<p data-bbox="199 159 523 188">CRN 125-4-2 A-F-A-E-HQQE</p>  <p data-bbox="592 506 1062 530" style="text-align: center;">Note! Product picture may differ from actual product</p> <p data-bbox="199 537 480 566">Product No.: On request</p> <p data-bbox="199 598 1436 696">Vertical, multistage centrifugal pump with inlet and outlet ports on same the level (inline). Pump materials in contact with the liquid are in high-grade stainless steel. The Grundfos cartridge shaft seal ensures high reliability, safe handling, and easy access and service. Power transmission is via a rigid split coupling. Pipe connection is via DIN flanges.</p> <p data-bbox="199 710 916 739">The pump is fitted with a 3-phase, fan-cooled asynchronous motor.</p> <p data-bbox="199 770 277 799">Liquid:</p> <table data-bbox="199 797 703 918"> <tr> <td>Pumped liquid:</td> <td>Water</td> </tr> <tr> <td>Liquid temperature range:</td> <td>-20 .. 120 °C</td> </tr> <tr> <td>Selected liquid temperature:</td> <td>20 °C</td> </tr> <tr> <td>Density:</td> <td>998.2 kg/m³</td> </tr> </table> <p data-bbox="199 947 316 976">Technical:</p> <table data-bbox="199 974 820 1216"> <tr> <td>Pump speed on which pump data are based:</td> <td>2966 rpm</td> </tr> <tr> <td>Rated flow:</td> <td>125 m³/h</td> </tr> <tr> <td>Rated head:</td> <td>85.6 m</td> </tr> <tr> <td>Pump orientation:</td> <td>Vertical</td> </tr> <tr> <td>Shaft seal arrangement:</td> <td>Single</td> </tr> <tr> <td>Code for shaft seal:</td> <td>HQQE</td> </tr> <tr> <td>Approvals:</td> <td>CE,EAC,UKCA,SEPRO</td> </tr> <tr> <td>Curve tolerance:</td> <td>ISO9906:2012 3B</td> </tr> </table> <p data-bbox="199 1245 309 1274">Materials:</p> <table data-bbox="199 1272 786 1543"> <tr> <td>Base:</td> <td>Stainless steel EN 1.4408 ASTM A351 CF8M</td> </tr> <tr> <td>Impeller:</td> <td>Stainless steel EN 1.4401 AISI 316</td> </tr> <tr> <td>Bearing:</td> <td>WC/WC</td> </tr> <tr> <td>Support bearing:</td> <td>Graflon</td> </tr> <tr> <td>Material certified according to:</td> <td>European standards</td> </tr> </table> <p data-bbox="199 1572 328 1601">Installation:</p> <table data-bbox="199 1599 732 1841"> <tr> <td>t max amb:</td> <td>55 °C</td> </tr> <tr> <td>Maximum operating pressure:</td> <td>16 bar</td> </tr> <tr> <td>Max pressure at stated temp:</td> <td>16 bar / 120 °C</td> </tr> <tr> <td>Type of connection:</td> <td>DIN</td> </tr> <tr> <td>Size of inlet connection:</td> <td>DN 150</td> </tr> <tr> <td>Size of outlet connection:</td> <td>DN 150</td> </tr> <tr> <td>Pressure rating for connection:</td> <td>PN 16</td> </tr> <tr> <td>Flange size for motor:</td> <td>FF350</td> </tr> </table> <p data-bbox="199 1870 363 1899">Electrical data:</p> <table data-bbox="199 1897 847 2107"> <tr> <td>Motor standard:</td> <td>IEC</td> </tr> <tr> <td>Motor type:</td> <td>SIEMENS</td> </tr> <tr> <td>IE Efficiency class:</td> <td>IE3</td> </tr> <tr> <td>Rated power - P2:</td> <td>37 kW</td> </tr> <tr> <td>Power (P2) required by pump:</td> <td>37 kW</td> </tr> <tr> <td>Mains frequency:</td> <td>50 Hz</td> </tr> <tr> <td>Rated voltage:</td> <td>3 x 380-420D/660-725Y V</td> </tr> </table>	Pumped liquid:	Water	Liquid temperature range:	-20 .. 120 °C	Selected liquid temperature:	20 °C	Density:	998.2 kg/m ³	Pump speed on which pump data are based:	2966 rpm	Rated flow:	125 m ³ /h	Rated head:	85.6 m	Pump orientation:	Vertical	Shaft seal arrangement:	Single	Code for shaft seal:	HQQE	Approvals:	CE,EAC,UKCA,SEPRO	Curve tolerance:	ISO9906:2012 3B	Base:	Stainless steel EN 1.4408 ASTM A351 CF8M	Impeller:	Stainless steel EN 1.4401 AISI 316	Bearing:	WC/WC	Support bearing:	Graflon	Material certified according to:	European standards	t max amb:	55 °C	Maximum operating pressure:	16 bar	Max pressure at stated temp:	16 bar / 120 °C	Type of connection:	DIN	Size of inlet connection:	DN 150	Size of outlet connection:	DN 150	Pressure rating for connection:	PN 16	Flange size for motor:	FF350	Motor standard:	IEC	Motor type:	SIEMENS	IE Efficiency class:	IE3	Rated power - P2:	37 kW	Power (P2) required by pump:	37 kW	Mains frequency:	50 Hz	Rated voltage:	3 x 380-420D/660-725Y V
Pumped liquid:	Water																																																																
Liquid temperature range:	-20 .. 120 °C																																																																
Selected liquid temperature:	20 °C																																																																
Density:	998.2 kg/m ³																																																																
Pump speed on which pump data are based:	2966 rpm																																																																
Rated flow:	125 m ³ /h																																																																
Rated head:	85.6 m																																																																
Pump orientation:	Vertical																																																																
Shaft seal arrangement:	Single																																																																
Code for shaft seal:	HQQE																																																																
Approvals:	CE,EAC,UKCA,SEPRO																																																																
Curve tolerance:	ISO9906:2012 3B																																																																
Base:	Stainless steel EN 1.4408 ASTM A351 CF8M																																																																
Impeller:	Stainless steel EN 1.4401 AISI 316																																																																
Bearing:	WC/WC																																																																
Support bearing:	Graflon																																																																
Material certified according to:	European standards																																																																
t max amb:	55 °C																																																																
Maximum operating pressure:	16 bar																																																																
Max pressure at stated temp:	16 bar / 120 °C																																																																
Type of connection:	DIN																																																																
Size of inlet connection:	DN 150																																																																
Size of outlet connection:	DN 150																																																																
Pressure rating for connection:	PN 16																																																																
Flange size for motor:	FF350																																																																
Motor standard:	IEC																																																																
Motor type:	SIEMENS																																																																
IE Efficiency class:	IE3																																																																
Rated power - P2:	37 kW																																																																
Power (P2) required by pump:	37 kW																																																																
Mains frequency:	50 Hz																																																																
Rated voltage:	3 x 380-420D/660-725Y V																																																																

Qty.	Description
1	<p>Rated current: 65/37.5 A Starting current: 710-710 % Cos phi - power factor: 0.88 Rated speed: 2955 rpm Efficiency: IE3 93,7% Motor efficiency at full load: 93.7-93.7 % Motor efficiency at 3/4 load: 94.2-94.2 % Motor efficiency at 1/2 load: 94.0-94.0 % Number of poles: 2 Enclosure class (IEC 34-5): IP55 Insulation class (IEC 85): F Motor No: 81U15334</p> <p>Controls: Frequency converter: NONE</p> <p>Others: Minimum efficiency index, MEI ≥: 0.70 Net weight: 432 kg Gross weight: 495 kg Shipping volume: 1.14 m³ Danish VVS No.: 386936242 Finnish LVI No.: 4925629 Thrust handling device: N</p>

On request CRN 125-4-2 A-F-A-E-HQQE 50 Hz

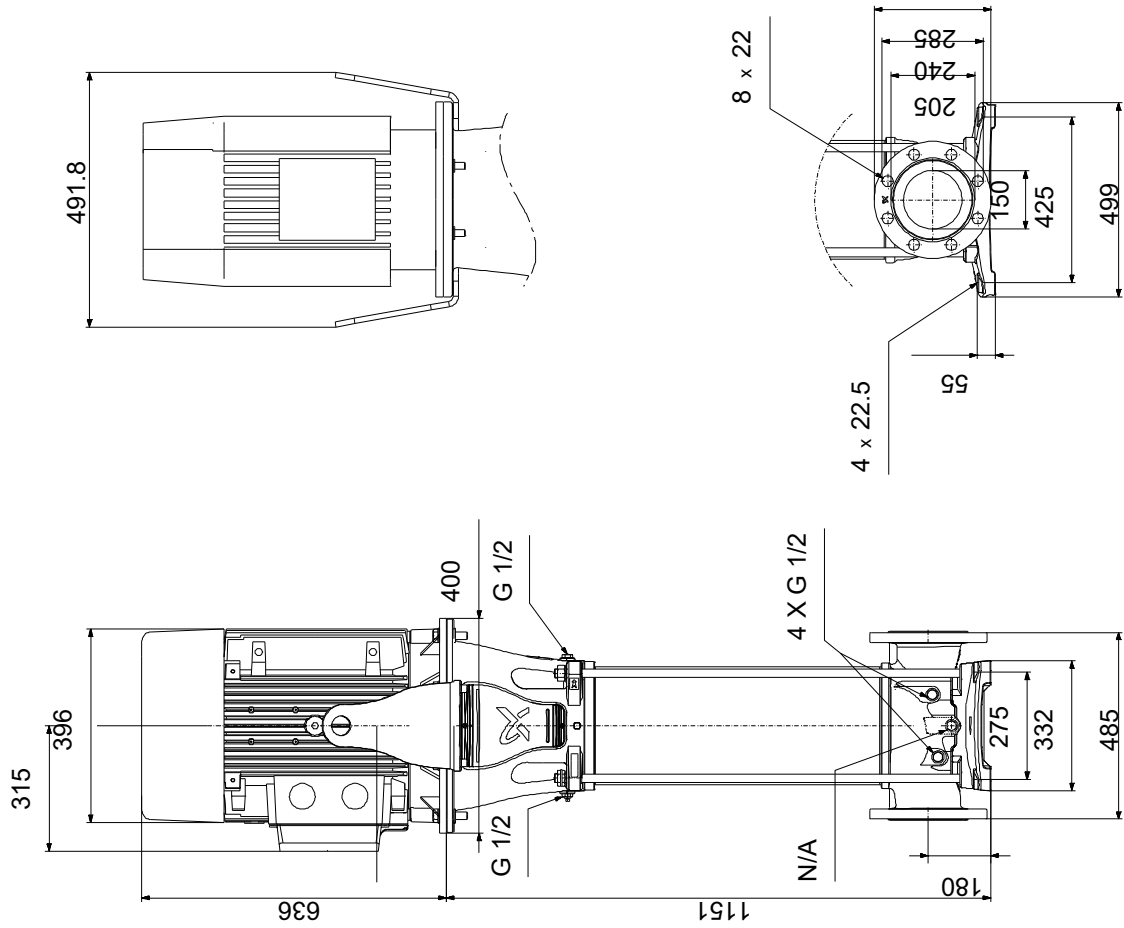


Description	Value
General information:	
Product name:	CRN 125-4-2 A-F-A-E-HQQE
Product No:	On request
EAN number:	On request
Technical:	
Pump speed on which pump data are based:	2966 rpm
Rated flow:	125 m ³ /h
Rated head:	85.6 m
Maximum head:	115.4 m
Impellers:	4
Number of reduced-diameter impellers:	2
Low NPSH:	N
Pump orientation:	Vertical
Shaft seal arrangement:	Single
Code for shaft seal:	HQQE
Approvals:	CE, EAC, UKCA, SEPRO
Curve tolerance:	ISO9906:2012 3B
Pump version:	A
Model:	A
Cooling:	IC 411
Materials:	
Base:	Stainless steel
Base:	EN 1.4408
Base:	ASTM A351 CF8M
Impeller:	Stainless steel
Impeller:	EN 1.4401
Impeller:	AISI 316
Material code:	A
Code for rubber:	E
Bearing:	WC/WC
Support bearing:	Graflon
Material certified according to:	European standards
Installation:	
t max amb:	55 °C
Maximum operating pressure:	16 bar
Max pressure at stated temp:	16 bar / 120 °C
Type of connection:	DIN
Size of inlet connection:	DN 150
Size of outlet connection:	DN 150
Pressure rating for connection:	PN 16
Flange size for motor:	FF350
Connect code:	F
Liquid:	
Pumped liquid:	Water
Liquid temperature range:	-20 .. 120 °C
Selected liquid temperature:	20 °C
Density:	998.2 kg/m ³
Electrical data:	
Motor standard:	IEC
Motor type:	SIEMENS
IE Efficiency class:	IE3
Rated power - P2:	37 kW
Power (P2) required by pump:	37 kW
Mains frequency:	50 Hz
Rated voltage:	3 x 380-420D/660-725Y V
Rated current:	65/37.5 A
Starting current:	710-710 %
Cos phi - power factor:	0.88
Rated speed:	2955 rpm
Efficiency:	IE3 93,7%
Motor efficiency at full load:	93.7-93.7 %
Motor efficiency at 3/4 load:	94.2-94.2 %



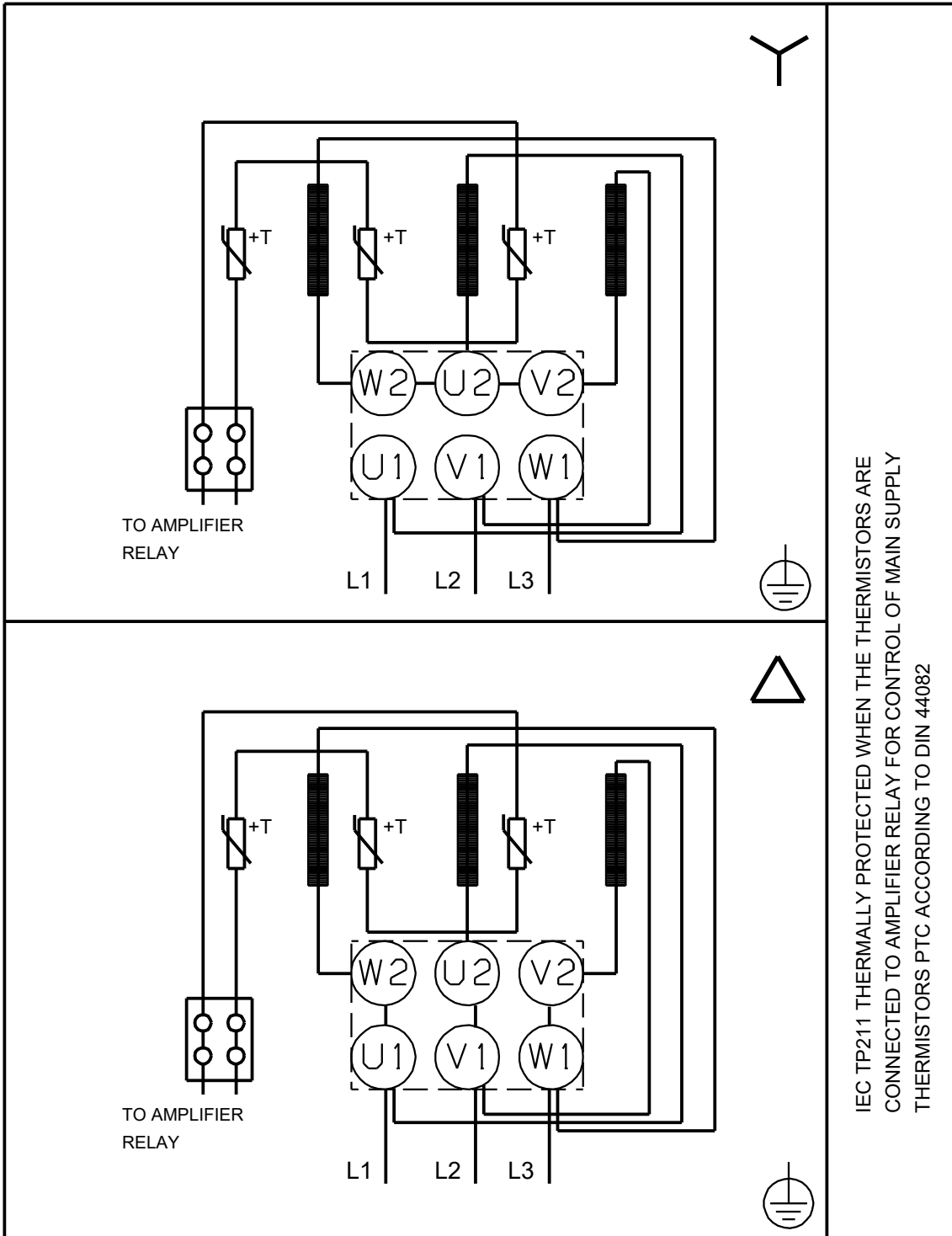
Description	Value
Motor efficiency at 1/2 load:	94.0-94.0 %
Number of poles:	2
Enclosure class (IEC 34-5):	IP55
Insulation class (IEC 85):	F
Built-in motor protection:	PTC
Motor No:	81U15334
Controls:	
Frequency converter:	NONE
Others:	
Minimum efficiency index, MEI ≥:	0.70
Net weight:	432 kg
Gross weight:	495 kg
Shipping volume:	1.14 m ³
Danish VVS No.:	386936242
Finnish LVI No.:	4925629
Thrust handling device:	N

On request CRN 125-4-2 A-F-A-E-HQQE 50 Hz



Note! All units are in [mm] unless others are stated.
 Disclaimer: This simplified dimensional drawing does not show all details.

On request CRN 125-4-2 A-F-A-E-HQQE 50 Hz



IEC TP211 THERMALLY PROTECTED WHEN THE THERMISTORS ARE
CONNECTED TO AMPLIFIER RELAY FOR CONTROL OF MAIN SUPPLY
THERMISTORS PTC ACCORDING TO DIN 44082

Note! All units are in [mm] unless others are stated.

