
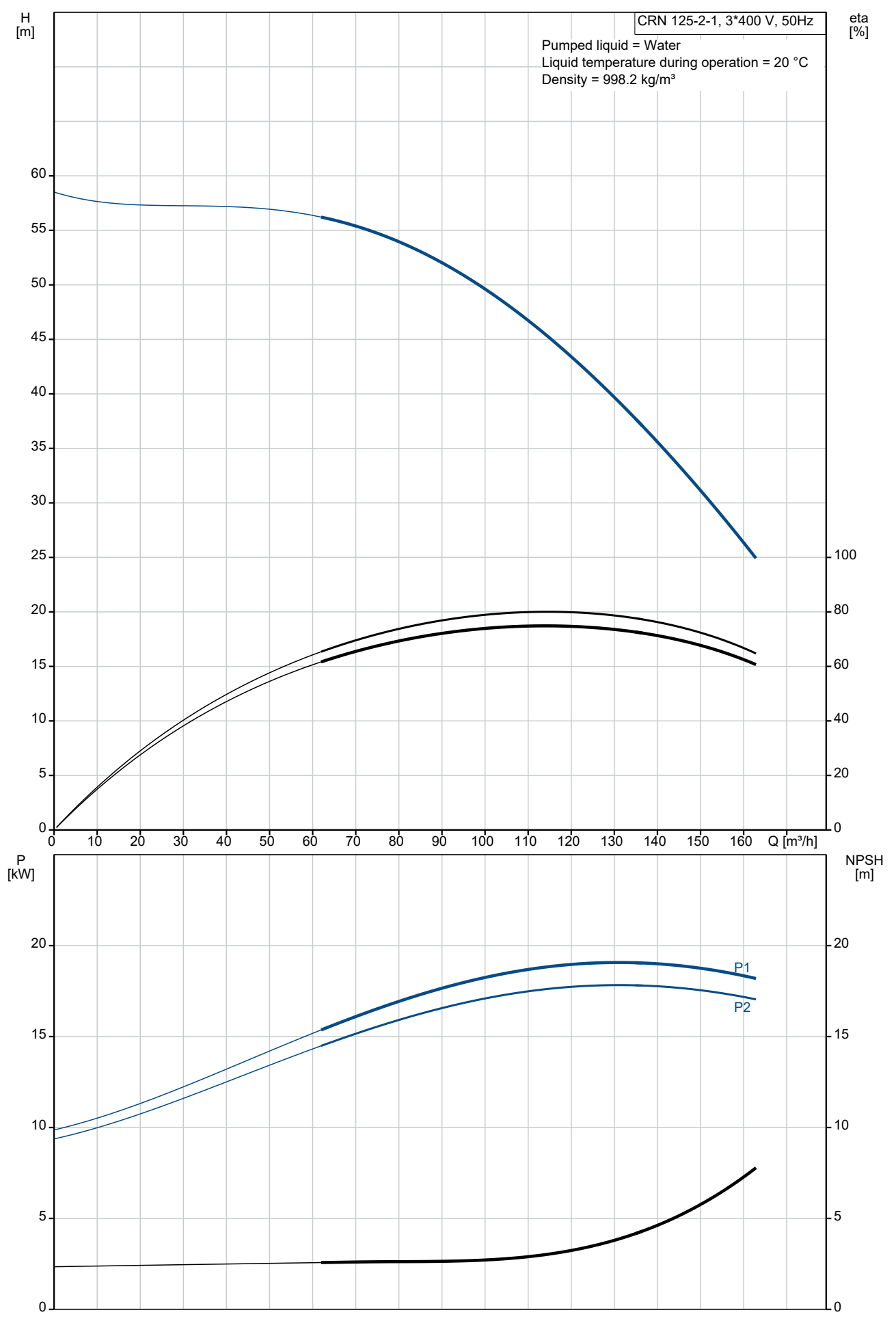


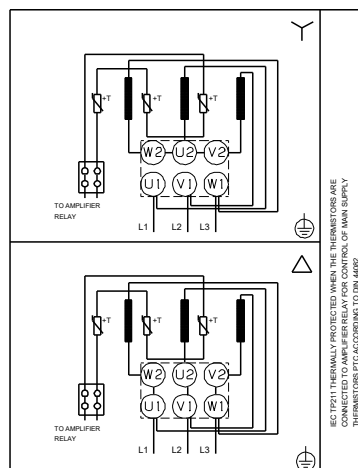
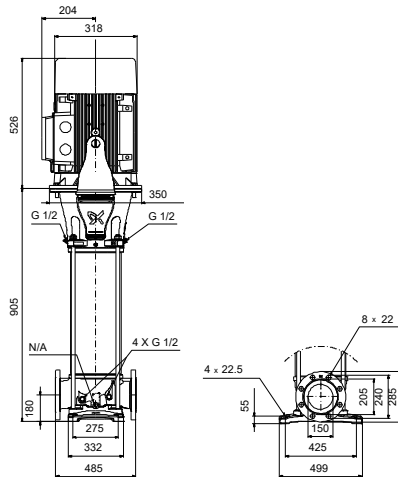
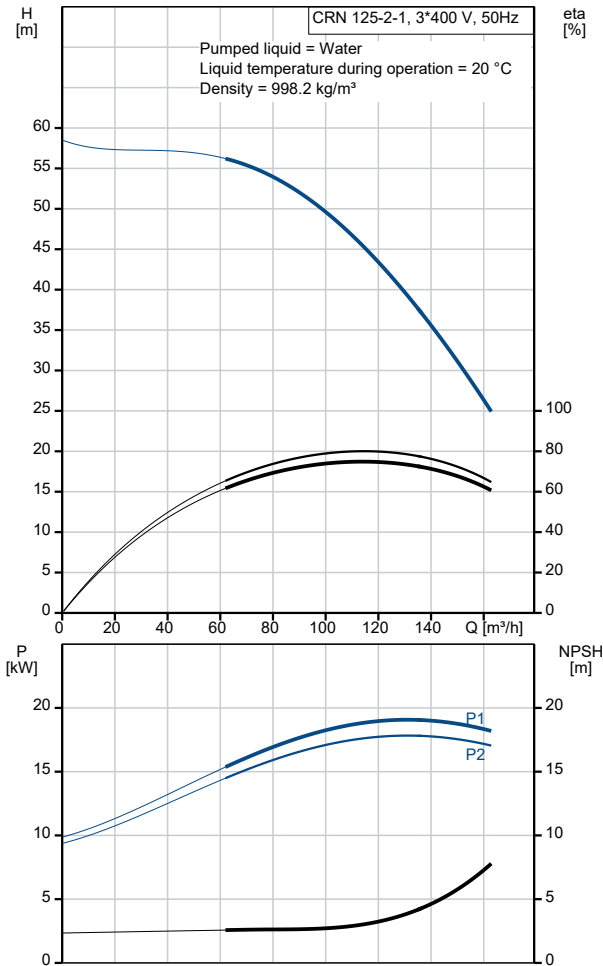
Qty.	Description																																																																
1	<p data-bbox="201 159 523 188">CRN 125-2-1 A-F-A-E-HQQE</p>  <p data-bbox="592 506 1064 530">Note! Product picture may differ from actual product</p> <p data-bbox="201 537 480 566">Product No.: On request</p> <p data-bbox="201 598 1434 696">Vertical, multistage centrifugal pump with inlet and outlet ports on same the level (inline). Pump materials in contact with the liquid are in high-grade stainless steel. The Grundfos cartridge shaft seal ensures high reliability, safe handling, and easy access and service. Power transmission is via a rigid split coupling. Pipe connection is via DIN flanges.</p> <p data-bbox="201 710 916 739">The pump is fitted with a 3-phase, fan-cooled asynchronous motor.</p> <p data-bbox="201 770 276 799">Liquid:</p> <table data-bbox="201 799 703 918"> <tr> <td>Pumped liquid:</td> <td>Water</td> </tr> <tr> <td>Liquid temperature range:</td> <td>-20 .. 120 °C</td> </tr> <tr> <td>Selected liquid temperature:</td> <td>20 °C</td> </tr> <tr> <td>Density:</td> <td>998.2 kg/m³</td> </tr> </table> <p data-bbox="201 949 316 978">Technical:</p> <table data-bbox="201 978 820 1216"> <tr> <td>Pump speed on which pump data are based:</td> <td>2952 rpm</td> </tr> <tr> <td>Rated flow:</td> <td>125 m³/h</td> </tr> <tr> <td>Rated head:</td> <td>41.9 m</td> </tr> <tr> <td>Pump orientation:</td> <td>Vertical</td> </tr> <tr> <td>Shaft seal arrangement:</td> <td>Single</td> </tr> <tr> <td>Code for shaft seal:</td> <td>HQQE</td> </tr> <tr> <td>Approvals:</td> <td>CE,EAC,UKCA,SEPRO</td> </tr> <tr> <td>Curve tolerance:</td> <td>ISO9906:2012 3B</td> </tr> </table> <p data-bbox="201 1247 309 1276">Materials:</p> <table data-bbox="201 1276 786 1543"> <tr> <td>Base:</td> <td>Stainless steel EN 1.4408 ASTM A351 CF8M</td> </tr> <tr> <td>Impeller:</td> <td>Stainless steel EN 1.4401 AISI 316</td> </tr> <tr> <td>Bearing:</td> <td>WC/WC</td> </tr> <tr> <td>Support bearing:</td> <td>Graflon</td> </tr> <tr> <td>Material certified according to:</td> <td>European standards</td> </tr> </table> <p data-bbox="201 1574 325 1603">Installation:</p> <table data-bbox="201 1603 732 1841"> <tr> <td>t max amb:</td> <td>60 °C</td> </tr> <tr> <td>Maximum operating pressure:</td> <td>16 bar</td> </tr> <tr> <td>Max pressure at stated temp:</td> <td>16 bar / 120 °C</td> </tr> <tr> <td>Type of connection:</td> <td>DIN</td> </tr> <tr> <td>Size of inlet connection:</td> <td>DN 150</td> </tr> <tr> <td>Size of outlet connection:</td> <td>DN 150</td> </tr> <tr> <td>Pressure rating for connection:</td> <td>PN 16</td> </tr> <tr> <td>Flange size for motor:</td> <td>FF300</td> </tr> </table> <p data-bbox="201 1872 363 1901">Electrical data:</p> <table data-bbox="201 1901 847 2107"> <tr> <td>Motor standard:</td> <td>IEC</td> </tr> <tr> <td>Motor type:</td> <td>160LB</td> </tr> <tr> <td>IE Efficiency class:</td> <td>IE3</td> </tr> <tr> <td>Rated power - P2:</td> <td>18.5 kW</td> </tr> <tr> <td>Power (P2) required by pump:</td> <td>18.5 kW</td> </tr> <tr> <td>Mains frequency:</td> <td>50 Hz</td> </tr> <tr> <td>Rated voltage:</td> <td>3 x 380-415D/660-690Y V</td> </tr> </table>	Pumped liquid:	Water	Liquid temperature range:	-20 .. 120 °C	Selected liquid temperature:	20 °C	Density:	998.2 kg/m ³	Pump speed on which pump data are based:	2952 rpm	Rated flow:	125 m ³ /h	Rated head:	41.9 m	Pump orientation:	Vertical	Shaft seal arrangement:	Single	Code for shaft seal:	HQQE	Approvals:	CE,EAC,UKCA,SEPRO	Curve tolerance:	ISO9906:2012 3B	Base:	Stainless steel EN 1.4408 ASTM A351 CF8M	Impeller:	Stainless steel EN 1.4401 AISI 316	Bearing:	WC/WC	Support bearing:	Graflon	Material certified according to:	European standards	t max amb:	60 °C	Maximum operating pressure:	16 bar	Max pressure at stated temp:	16 bar / 120 °C	Type of connection:	DIN	Size of inlet connection:	DN 150	Size of outlet connection:	DN 150	Pressure rating for connection:	PN 16	Flange size for motor:	FF300	Motor standard:	IEC	Motor type:	160LB	IE Efficiency class:	IE3	Rated power - P2:	18.5 kW	Power (P2) required by pump:	18.5 kW	Mains frequency:	50 Hz	Rated voltage:	3 x 380-415D/660-690Y V
Pumped liquid:	Water																																																																
Liquid temperature range:	-20 .. 120 °C																																																																
Selected liquid temperature:	20 °C																																																																
Density:	998.2 kg/m ³																																																																
Pump speed on which pump data are based:	2952 rpm																																																																
Rated flow:	125 m ³ /h																																																																
Rated head:	41.9 m																																																																
Pump orientation:	Vertical																																																																
Shaft seal arrangement:	Single																																																																
Code for shaft seal:	HQQE																																																																
Approvals:	CE,EAC,UKCA,SEPRO																																																																
Curve tolerance:	ISO9906:2012 3B																																																																
Base:	Stainless steel EN 1.4408 ASTM A351 CF8M																																																																
Impeller:	Stainless steel EN 1.4401 AISI 316																																																																
Bearing:	WC/WC																																																																
Support bearing:	Graflon																																																																
Material certified according to:	European standards																																																																
t max amb:	60 °C																																																																
Maximum operating pressure:	16 bar																																																																
Max pressure at stated temp:	16 bar / 120 °C																																																																
Type of connection:	DIN																																																																
Size of inlet connection:	DN 150																																																																
Size of outlet connection:	DN 150																																																																
Pressure rating for connection:	PN 16																																																																
Flange size for motor:	FF300																																																																
Motor standard:	IEC																																																																
Motor type:	160LB																																																																
IE Efficiency class:	IE3																																																																
Rated power - P2:	18.5 kW																																																																
Power (P2) required by pump:	18.5 kW																																																																
Mains frequency:	50 Hz																																																																
Rated voltage:	3 x 380-415D/660-690Y V																																																																

Qty.	Description
1	<p>Rated current: 34,5-32,5/20,0-18,8 A</p> <p>Starting current: 830-980 %</p> <p>Cos phi - power factor: 0.89-0.85</p> <p>Rated speed: 2940-2950 rpm</p> <p>Efficiency: IE3 92,4%</p> <p>Motor efficiency at full load: 92.4-92.4 %</p> <p>Motor efficiency at 3/4 load: 93.2 %</p> <p>Motor efficiency at 1/2 load: 93.2 %</p> <p>Number of poles: 2</p> <p>Enclosure class (IEC 34-5): 55 Dust/Jetting</p> <p>Insulation class (IEC 85): F</p> <p>Motor No: 85U17528</p> <p>Controls:</p> <p>Frequency converter: NONE</p> <p>Others:</p> <p>Minimum efficiency index, MEI \geq: 0.70</p> <p>Net weight: 268 kg</p> <p>Gross weight: 332 kg</p> <p>Shipping volume: 1.14 m³</p> <p>Danish VVS No.: 386936221</p> <p>Finnish LVI No.: 4925625</p> <p>Thrust handling device: N</p> <p>Country of origin: DK</p> <p>Custom tariff no.: 84139100</p>

On request CRN 125-2-1 A-F-A-E-HQQE 50 Hz

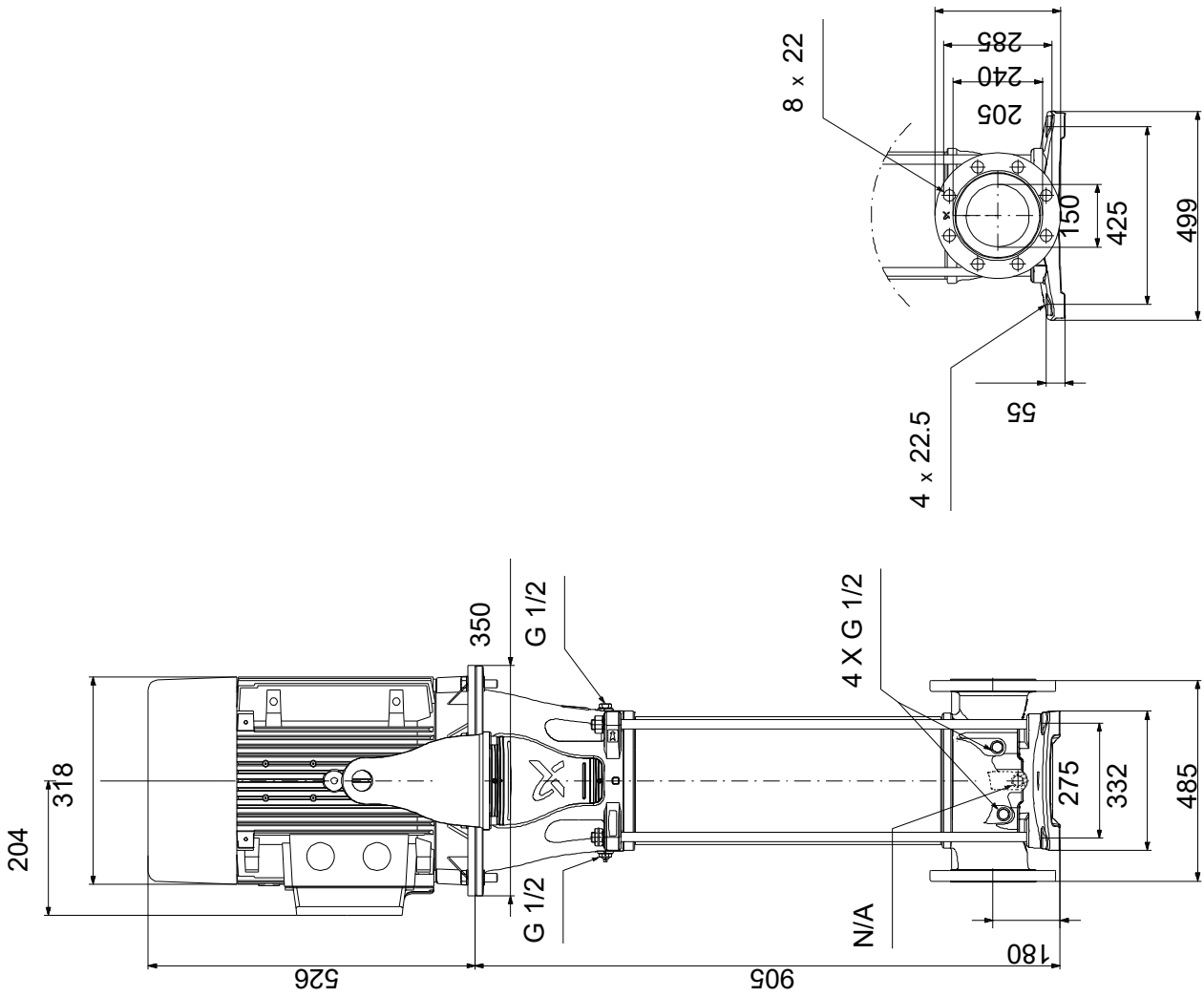


Description	Value
General information:	
Product name:	CRN 125-2-1 A-F-A-E-HQQE
Product No:	On request
EAN number:	On request
Technical:	
Pump speed on which pump data are based:	2952 rpm
Rated flow:	125 m ³ /h
Rated head:	41.9 m
Maximum head:	58.6 m
Impellers:	2
Number of reduced-diameter impellers:	1
Low NPSH:	N
Pump orientation:	Vertical
Shaft seal arrangement:	Single
Code for shaft seal:	HQQE
Approvals:	CE,EAC,UKCA,SEPRO
Curve tolerance:	ISO9906:2012 3B
Pump version:	A
Model:	A
Cooling:	IC 411
Materials:	
Base:	Stainless steel
Base:	EN 1.4408
Base:	ASTM A351 CF8M
Impeller:	Stainless steel
Impeller:	EN 1.4401
Impeller:	AISI 316
Material code:	A
Code for rubber:	E
Bearing:	WC/WC
Support bearing:	Graflon
Material certified according to:	European standards
Installation:	
t max amb:	60 °C
Maximum operating pressure:	16 bar
Max pressure at stated temp:	16 bar / 120 °C
Type of connection:	DIN
Size of inlet connection:	DN 150
Size of outlet connection:	DN 150
Pressure rating for connection:	PN 16
Flange size for motor:	FF300
Connect code:	F
Liquid:	
Pumped liquid:	Water
Liquid temperature range:	-20 .. 120 °C
Selected liquid temperature:	20 °C
Density:	998.2 kg/m ³
Electrical data:	
Motor standard:	IEC
Motor type:	160LB
IE Efficiency class:	IE3
Rated power - P2:	18.5 kW
Power (P2) required by pump:	18.5 kW
Mains frequency:	50 Hz
Rated voltage:	3 x 380-415D/660-690Y V
Rated current:	34,5-32,5/20,0-18,8 A
Starting current:	830-980 %
Cos phi - power factor:	0.89-0.85
Rated speed:	2940-2950 rpm
Efficiency:	IE3 92,4%
Motor efficiency at full load:	92.4-92.4 %
Motor efficiency at 3/4 load:	93.2 %



Description	Value
Motor efficiency at 1/2 load:	93.2 %
Number of poles:	2
Enclosure class (IEC 34-5):	55 Dust/Jetting
Insulation class (IEC 85):	F
Built-in motor protection:	PTC
Motor No:	85U17528
Controls:	
Frequency converter:	NONE
Others:	
Minimum efficiency index, MEI ≥:	0.70
Net weight:	268 kg
Gross weight:	332 kg
Shipping volume:	1.14 m ³
Danish VVS No.:	386936221
Finnish LVI No.:	4925625
Thrust handling device:	N
Country of origin:	DK
Custom tariff no.:	84139100

On request CRN 125-2-1 A-F-A-E-HQQE 50 Hz



Note! All units are in [mm] unless others are stated.
Disclaimer: This simplified dimensional drawing does not show all details.

On request CRN 125-2-1 A-F-A-E-HQQE 50 Hz



Note! All units are in [mm] unless others are stated.

Order Data:

Position	Your pos.	Product name	Amount	Product No	Total
		CRN 125-2-1	1	On request	Price on request