

Qty.	Description
------	-------------

1	CRN 95-5 A-F-A-E-HQQE
---	-----------------------



Note! Product picture may differ from actual product

Product No.: On request

Vertical, multistage centrifugal pump with inlet and outlet ports on same the level (inline). Pump materials in contact with the liquid are in high-grade stainless steel. The Grundfos cartridge shaft seal ensures high reliability, safe handling, and easy access and service. Power transmission is via a rigid split coupling. Pipe connection is via DIN flanges.

The pump is fitted with a 3-phase, fan-cooled asynchronous motor.

Liquid:

Pumped liquid: Water
 Liquid temperature range: -20 .. 120 °C
 Selected liquid temperature: 20 °C
 Density: 998.2 kg/m³

Technical:

Pump speed on which pump data are based: 2965 rpm
 Rated flow: 95 m³/h
 Rated head: 116.7 m
 Pump orientation: Vertical
 Shaft seal arrangement: Single
 Code for shaft seal: HQQE
 Approvals: CE,EAC,UKCA,SEPRO
 Curve tolerance: ISO9906:2012 3B

Materials:

Base: Stainless steel
 EN 1.4408
 ASTM A351 CF8M
 Impeller: Stainless steel
 EN 1.4401
 AISI 316
 Bearing: WC/WC
 Support bearing: Graflon
 Material certified according to: European standards

Installation:

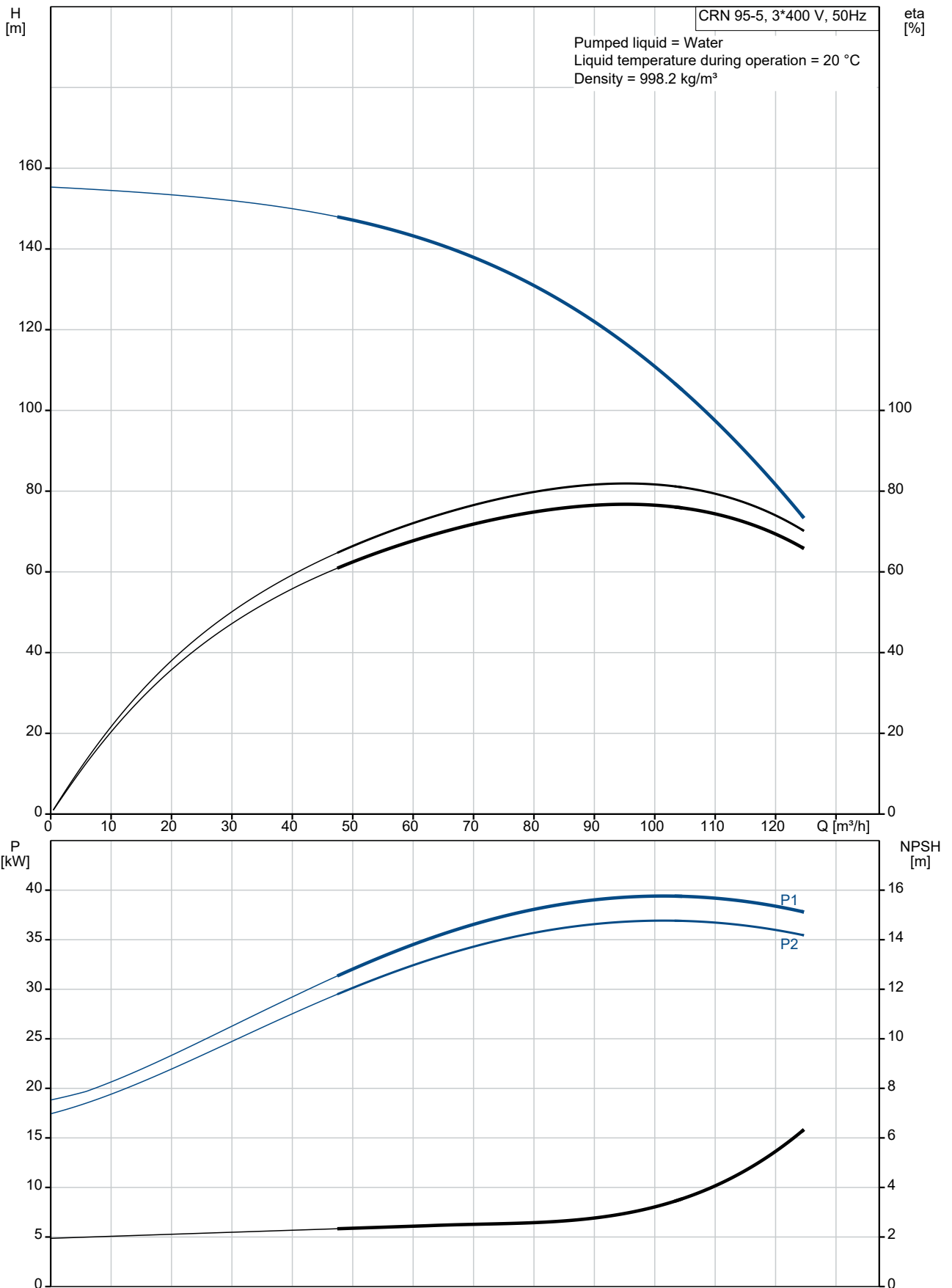
t max amb: 55 °C
 Maximum operating pressure: 16 bar
 Max pressure at stated temp: 16 bar / 120 °C
 Type of connection: DIN
 Size of inlet connection: DN 100
 Size of outlet connection: DN 100
 Pressure rating for connection: PN 16
 Flange size for motor: FF350

Electrical data:

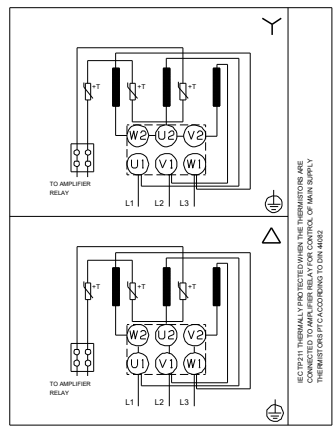
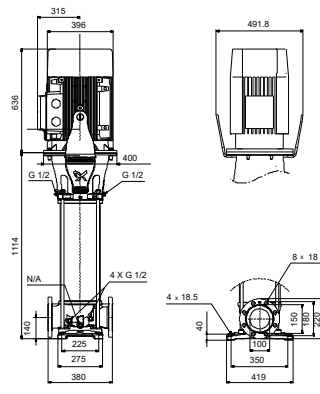
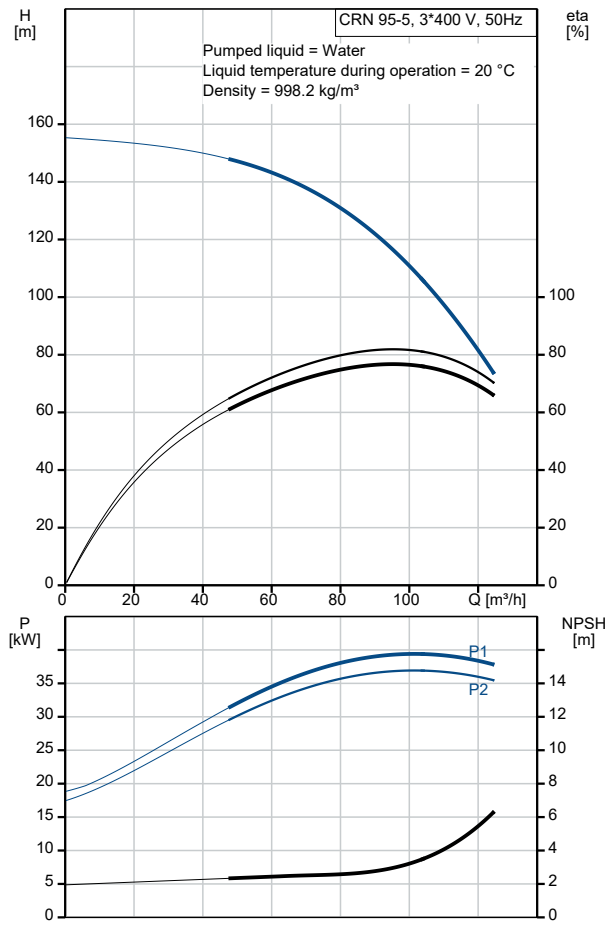
Motor standard: IEC

Qty.	Description																																																												
1	<table border="0"> <tr> <td>Motor type:</td> <td>SIEMENS</td> </tr> <tr> <td>IE Efficiency class:</td> <td>IE3</td> </tr> <tr> <td>Rated power - P2:</td> <td>37 kW</td> </tr> <tr> <td>Power (P2) required by pump:</td> <td>37 kW</td> </tr> <tr> <td>Mains frequency:</td> <td>50 Hz</td> </tr> <tr> <td>Rated voltage:</td> <td>3 x 380-420D/660-725Y V</td> </tr> <tr> <td>Rated current:</td> <td>65/37.5 A</td> </tr> <tr> <td>Starting current:</td> <td>710-710 %</td> </tr> <tr> <td>Cos phi - power factor:</td> <td>0.88</td> </tr> <tr> <td>Rated speed:</td> <td>2955 rpm</td> </tr> <tr> <td>Efficiency:</td> <td>IE3 93,7%</td> </tr> <tr> <td>Motor efficiency at full load:</td> <td>93.7-93.7 %</td> </tr> <tr> <td>Motor efficiency at 3/4 load:</td> <td>94.2-94.2 %</td> </tr> <tr> <td>Motor efficiency at 1/2 load:</td> <td>94.0-94.0 %</td> </tr> <tr> <td>Number of poles:</td> <td>2</td> </tr> <tr> <td>Enclosure class (IEC 34-5):</td> <td>IP55</td> </tr> <tr> <td>Insulation class (IEC 85):</td> <td>F</td> </tr> <tr> <td>Motor No:</td> <td>81U15334</td> </tr> <tr> <td colspan="2">Controls:</td> </tr> <tr> <td>Frequency converter:</td> <td>NONE</td> </tr> <tr> <td colspan="2">Others:</td> </tr> <tr> <td>Minimum efficiency index, MEI ≥:</td> <td>0.70</td> </tr> <tr> <td>Net weight:</td> <td>379 kg</td> </tr> <tr> <td>Gross weight:</td> <td>442 kg</td> </tr> <tr> <td>Shipping volume:</td> <td>1.14 m³</td> </tr> <tr> <td>Danish VVS No.:</td> <td>386935250</td> </tr> <tr> <td>Finnish LVI No.:</td> <td>4925619</td> </tr> <tr> <td>Thrust handling device:</td> <td>N</td> </tr> <tr> <td>Country of origin:</td> <td>GB</td> </tr> <tr> <td>Custom tariff no.:</td> <td>84137075</td> </tr> </table>	Motor type:	SIEMENS	IE Efficiency class:	IE3	Rated power - P2:	37 kW	Power (P2) required by pump:	37 kW	Mains frequency:	50 Hz	Rated voltage:	3 x 380-420D/660-725Y V	Rated current:	65/37.5 A	Starting current:	710-710 %	Cos phi - power factor:	0.88	Rated speed:	2955 rpm	Efficiency:	IE3 93,7%	Motor efficiency at full load:	93.7-93.7 %	Motor efficiency at 3/4 load:	94.2-94.2 %	Motor efficiency at 1/2 load:	94.0-94.0 %	Number of poles:	2	Enclosure class (IEC 34-5):	IP55	Insulation class (IEC 85):	F	Motor No:	81U15334	Controls:		Frequency converter:	NONE	Others:		Minimum efficiency index, MEI ≥:	0.70	Net weight:	379 kg	Gross weight:	442 kg	Shipping volume:	1.14 m ³	Danish VVS No.:	386935250	Finnish LVI No.:	4925619	Thrust handling device:	N	Country of origin:	GB	Custom tariff no.:	84137075
Motor type:	SIEMENS																																																												
IE Efficiency class:	IE3																																																												
Rated power - P2:	37 kW																																																												
Power (P2) required by pump:	37 kW																																																												
Mains frequency:	50 Hz																																																												
Rated voltage:	3 x 380-420D/660-725Y V																																																												
Rated current:	65/37.5 A																																																												
Starting current:	710-710 %																																																												
Cos phi - power factor:	0.88																																																												
Rated speed:	2955 rpm																																																												
Efficiency:	IE3 93,7%																																																												
Motor efficiency at full load:	93.7-93.7 %																																																												
Motor efficiency at 3/4 load:	94.2-94.2 %																																																												
Motor efficiency at 1/2 load:	94.0-94.0 %																																																												
Number of poles:	2																																																												
Enclosure class (IEC 34-5):	IP55																																																												
Insulation class (IEC 85):	F																																																												
Motor No:	81U15334																																																												
Controls:																																																													
Frequency converter:	NONE																																																												
Others:																																																													
Minimum efficiency index, MEI ≥:	0.70																																																												
Net weight:	379 kg																																																												
Gross weight:	442 kg																																																												
Shipping volume:	1.14 m ³																																																												
Danish VVS No.:	386935250																																																												
Finnish LVI No.:	4925619																																																												
Thrust handling device:	N																																																												
Country of origin:	GB																																																												
Custom tariff no.:	84137075																																																												

On request CRN 95-5 A-F-A-E-HQQE 50 Hz



Description	Value
General information:	
Product name:	CRN 95-5 A-F-A-E-HQQE
Product No:	On request
EAN number:	On request
Technical:	
Pump speed on which pump data are based:	2965 rpm
Rated flow:	95 m ³ /h
Rated head:	116.7 m
Maximum head:	155.3 m
Impellers:	5
Number of reduced-diameter impellers:	0
Low NPSH:	N
Pump orientation:	Vertical
Shaft seal arrangement:	Single
Code for shaft seal:	HQQE
Approvals:	CE,EAC,UKCA,SEPRO
Curve tolerance:	ISO9906:2012 3B
Pump version:	A
Model:	A
Cooling:	IC 411
Materials:	
Base:	Stainless steel
Base:	EN 1.4408
Base:	ASTM A351 CF8M
Impeller:	Stainless steel
Impeller:	EN 1.4401
Impeller:	AISI 316
Material code:	A
Code for rubber:	E
Bearing:	WC/WC
Support bearing:	Grafkon
Material certified according to:	European standards
Installation:	
t max amb:	55 °C
Maximum operating pressure:	16 bar
Max pressure at stated temp:	16 bar / 120 °C
Type of connection:	DIN
Size of inlet connection:	DN 100
Size of outlet connection:	DN 100
Pressure rating for connection:	PN 16
Flange size for motor:	FF350
Connect code:	F
Liquid:	
Pumped liquid:	Water
Liquid temperature range:	-20 .. 120 °C
Selected liquid temperature:	20 °C
Density:	998.2 kg/m ³
Electrical data:	
Motor standard:	IEC
Motor type:	SIEMENS
IE Efficiency class:	IE3
Rated power - P2:	37 kW
Power (P2) required by pump:	37 kW
Mains frequency:	50 Hz
Rated voltage:	3 x 380-420D/660-725Y V
Rated current:	65/37.5 A





Company name: Pump Sales Direct

Created by:

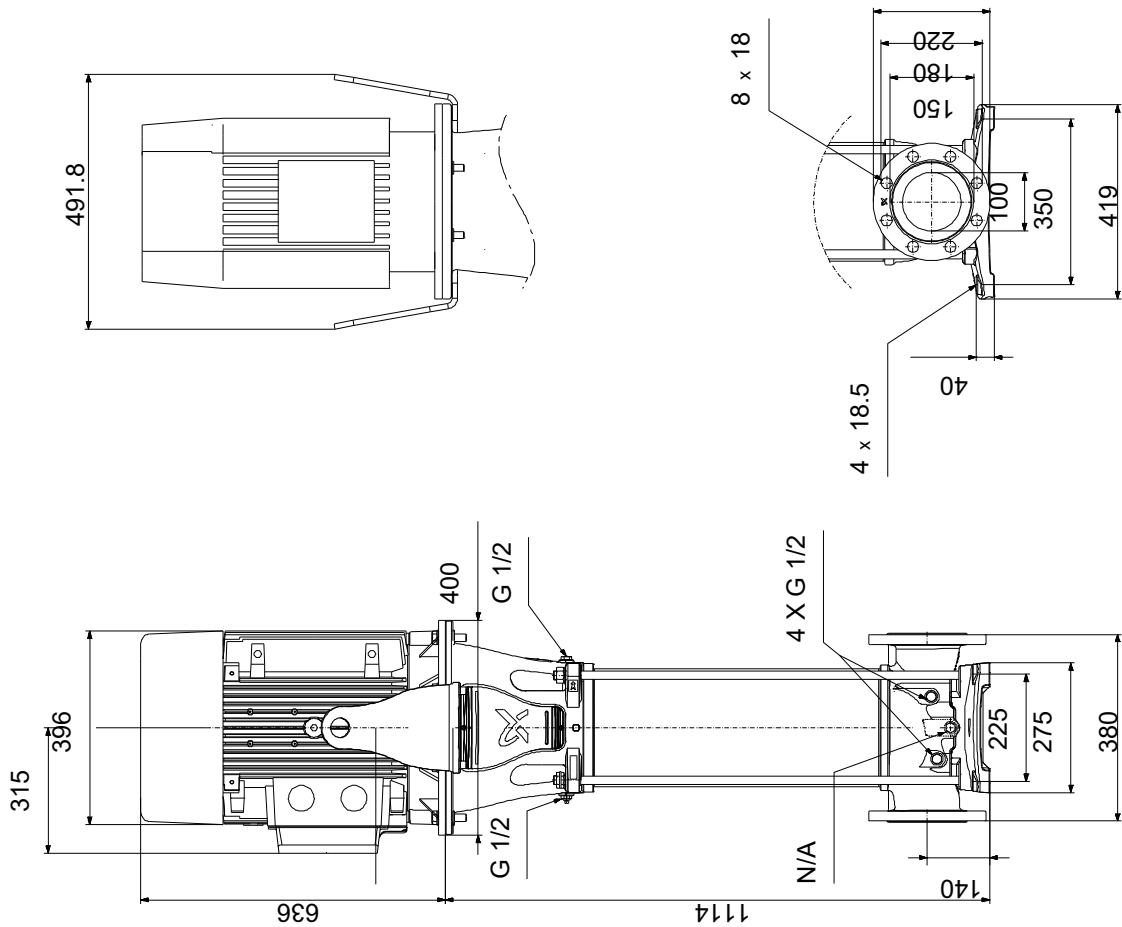
Phone: 08000086405

Email: customerservices@pumpsalesdirect.co.uk

Date: 01/08/2022

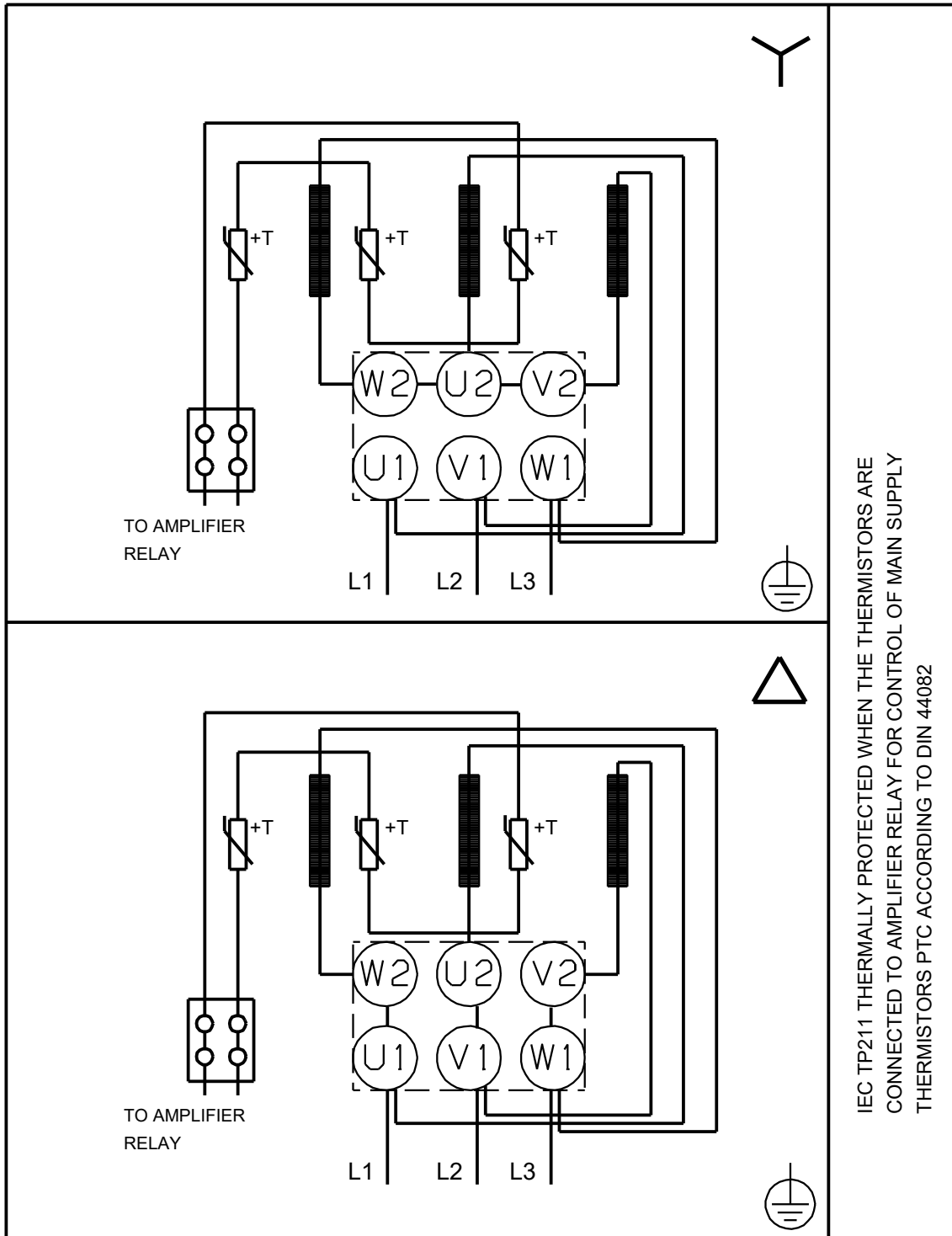
Description	Value
Starting current:	710-710 %
Cos phi - power factor:	0.88
Rated speed:	2955 rpm
Efficiency:	IE3 93,7%
Motor efficiency at full load:	93.7-93.7 %
Motor efficiency at 3/4 load:	94.2-94.2 %
Motor efficiency at 1/2 load:	94.0-94.0 %
Number of poles:	2
Enclosure class (IEC 34-5):	IP55
Insulation class (IEC 85):	F
Built-in motor protection:	PTC
Motor No:	81U15334
Controls:	
Frequency converter:	NONE
Others:	
Minimum efficiency index, MEI ≥:	0.70
Net weight:	379 kg
Gross weight:	442 kg
Shipping volume:	1.14 m ³
Danish VVS No.:	386935250
Finnish LVI No.:	4925619
Thrust handling device:	N
Country of origin:	GB
Custom tariff no.:	84137075

On request CRN 95-5 A-F-A-E-HQQE 50 Hz



Note! All units are in [mm] unless others are stated.
 Disclaimer: This simplified dimensional drawing does not show all details.

On request CRN 95-5 A-F-A-E-HQQE 50 Hz



IEC TP211 THERMALLY PROTECTED WHEN THE THERMISTORS ARE
CONNECTED TO AMPLIFIER RELAY FOR CONTROL OF MAIN SUPPLY
THERMISTORS PTC ACCORDING TO DIN 44082

Note! All units are in [mm] unless others are stated.

