
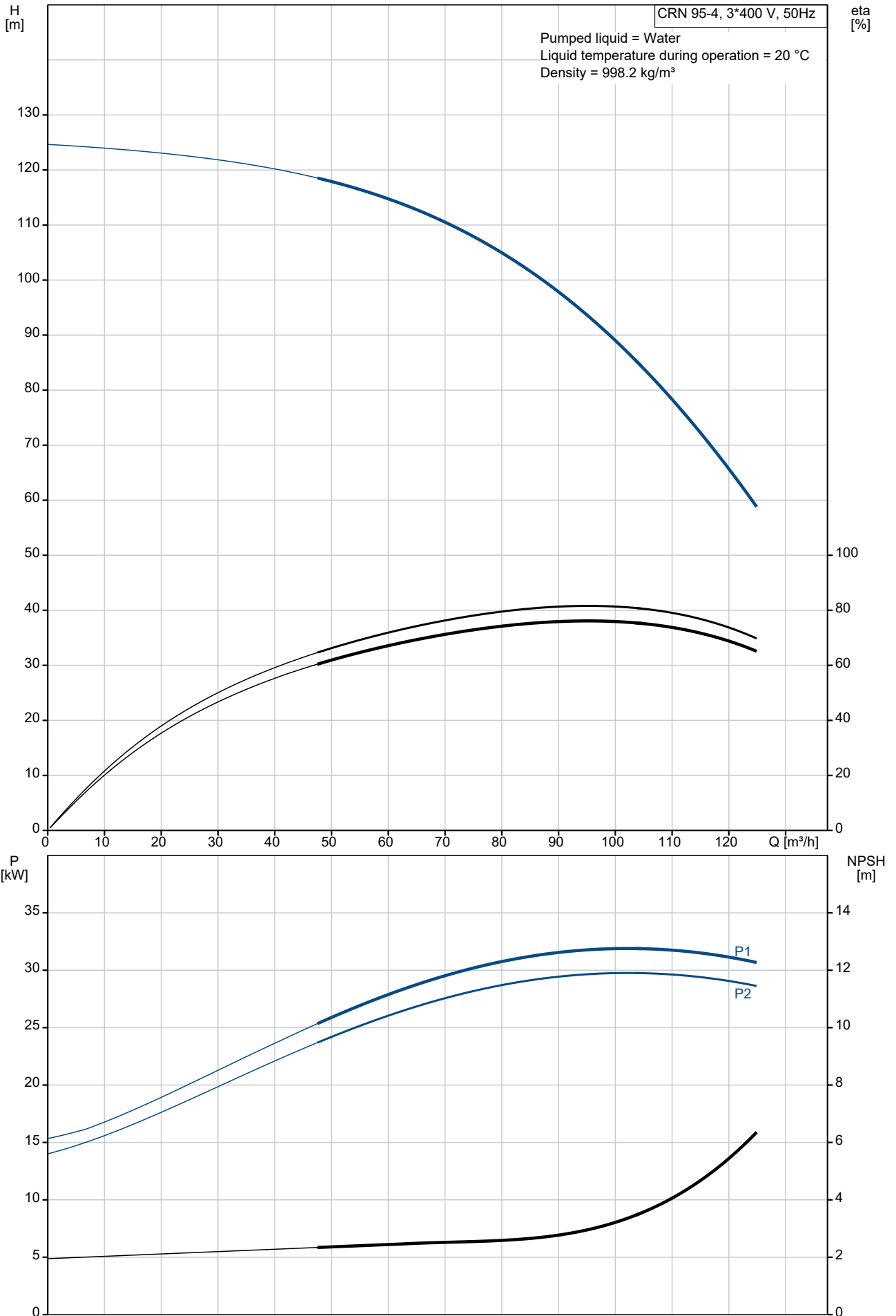


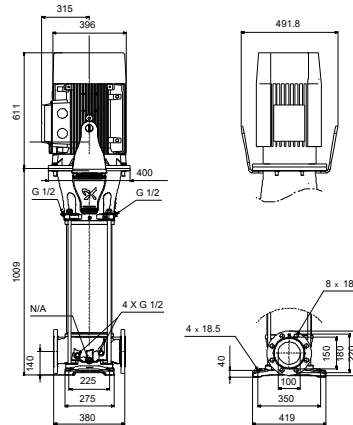
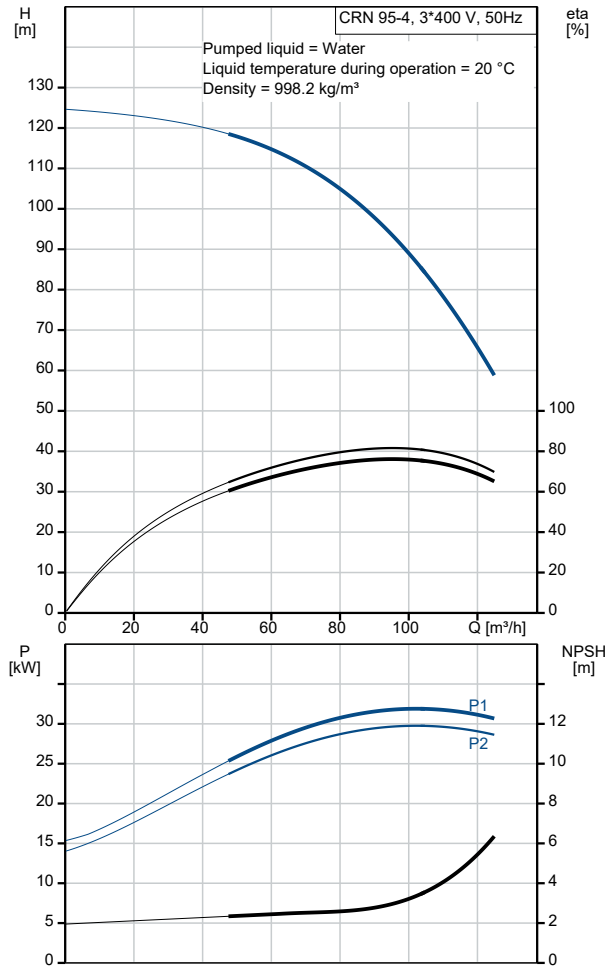
Qty.	Description
1	<b>CRN 95-4 A-F-A-E-HQQE</b>
	
	<b>Note! Product picture may differ from actual product</b>
	Product No.: On request
	Vertical, multistage centrifugal pump with inlet and outlet ports on same the level (inline). Pump materials in contact with the liquid are in high-grade stainless steel. The Grundfos cartridge shaft seal ensures high reliability, safe handling, and easy access and service. Power transmission is via a rigid split coupling. Pipe connection is via DIN flanges.
	The pump is fitted with a 3-phase, fan-cooled asynchronous motor.
	Liquid: Pumped liquid: Water Liquid temperature range: -20 .. 120 °C Selected liquid temperature: 20 °C Density: 998.2 kg/m <sup>3</sup>
	Technical: Pump speed on which pump data are based: 2970 rpm Rated flow: 95 m <sup>3</sup> /h Rated head: 93.7 m Pump orientation: Vertical Shaft seal arrangement: Single Code for shaft seal: HQQE Approvals: CE,EAC,UKCA,SEPRO Curve tolerance: ISO9906:2012 3B
	Materials: Base: Stainless steel EN 1.4408 ASTM A351 CF8M Impeller: Stainless steel EN 1.4401 AISI 316 Bearing: WC/WC Support bearing: Graflon Material certified according to: European standards
	Installation: t max amb: 55 °C Maximum operating pressure: 16 bar Max pressure at stated temp: 16 bar / 120 °C Type of connection: DIN Size of inlet connection: DN 100 Size of outlet connection: DN 100 Pressure rating for connection: PN 16 Flange size for motor: FF350
	Electrical data: Motor standard: IEC Motor type: SIEMENS IE Efficiency class: IE3 Rated power - P2: 30 kW Power (P2) required by pump: 30 kW Mains frequency: 50 Hz Rated voltage: 3 x 380-420D/660-725Y V

Qty.	Description
1	<p>Rated current: 53/31 A  Starting current: 700-700 %  Cos phi - power factor: 0.87  Rated speed: 2955 rpm  Efficiency: IE3 93,3%  Motor efficiency at full load: 93.3-93.3 %  Motor efficiency at 3/4 load: 93.5-93.5 %  Motor efficiency at 1/2 load: 92.9-92.9 %  Number of poles: 2  Enclosure class (IEC 34-5): IP55  Insulation class (IEC 85): F  Motor No: 81U15332</p> <p>Controls:  Frequency converter: NONE</p> <p>Others:  Minimum efficiency index, MEI <math>\geq</math> 0.70  Net weight: 348 kg  Gross weight: 411 kg  Shipping volume: 1.14 m<sup>3</sup>  Danish VVS No.: 386935240  Finnish LVI No.: 4925618  Thrust handling device: N  Country of origin: GB  Custom tariff no.: 84137075</p>

# On request CRN 95-4 A-F-A-E-HQQE 50 Hz

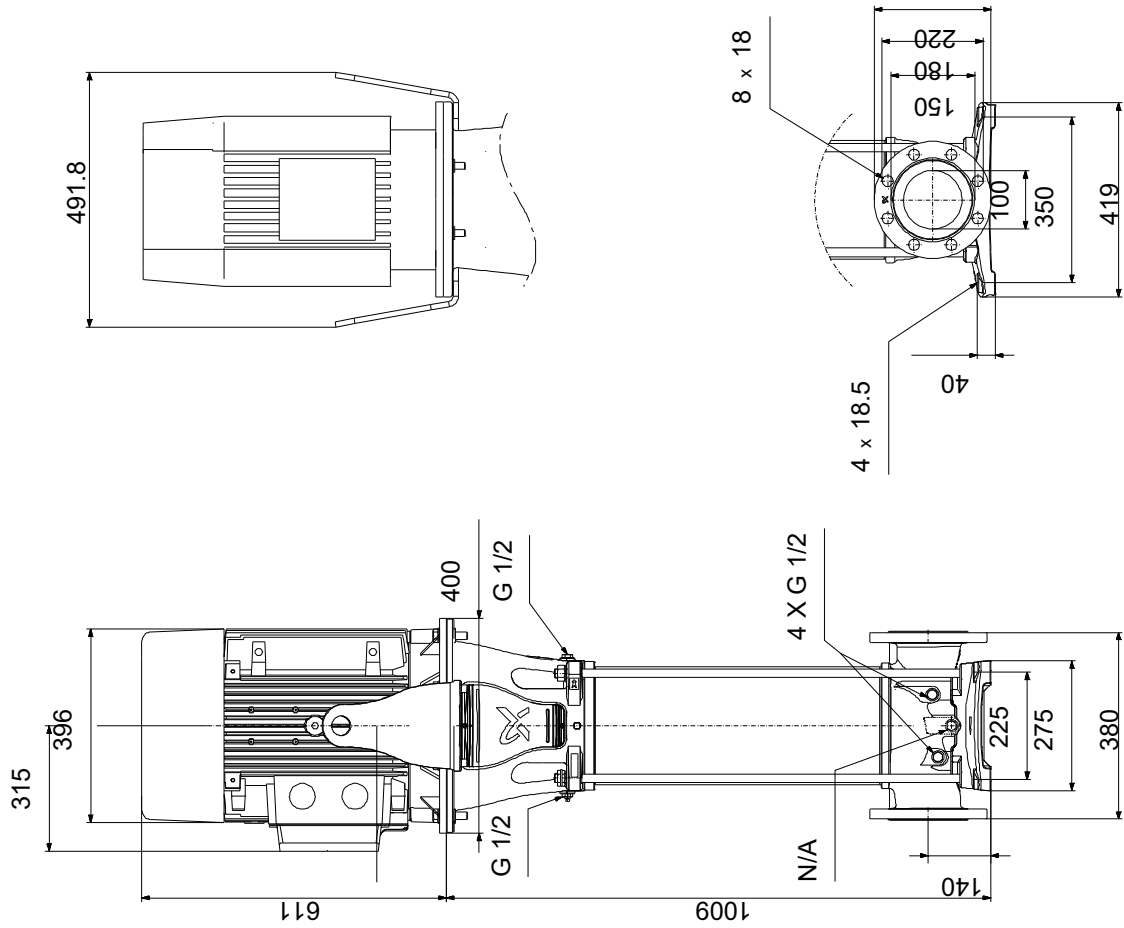


Description	Value
<b>General information:</b>	
Product name:	CRN 95-4 A-F-A-E-HQQE
Product No:	On request
EAN number:	On request
<b>Technical:</b>	
Pump speed on which pump data are based:	2970 rpm
Rated flow:	95 m <sup>3</sup> /h
Rated head:	93.7 m
Maximum head:	124.6 m
Impellers:	4
Number of reduced-diameter impellers:	0
Low NPSH:	N
Pump orientation:	Vertical
Shaft seal arrangement:	Single
Code for shaft seal:	HQQE
Approvals:	CE, EAC, UKCA, SEPRO
Curve tolerance:	ISO9906:2012 3B
Pump version:	A
Model:	A
Cooling:	IC 411
<b>Materials:</b>	
Base:	Stainless steel
Base:	EN 1.4408
Base:	ASTM A351 CF8M
Impeller:	Stainless steel
Impeller:	EN 1.4401
Impeller:	AISI 316
Material code:	A
Code for rubber:	E
Bearing:	WC/WC
Support bearing:	Grafkon
Material certified according to:	European standards
<b>Installation:</b>	
t max amb:	55 °C
Maximum operating pressure:	16 bar
Max pressure at stated temp:	16 bar / 120 °C
Type of connection:	DIN
Size of inlet connection:	DN 100
Size of outlet connection:	DN 100
Pressure rating for connection:	PN 16
Flange size for motor:	FF350
Connect code:	F
<b>Liquid:</b>	
Pumped liquid:	Water
Liquid temperature range:	-20 .. 120 °C
Selected liquid temperature:	20 °C
Density:	998.2 kg/m <sup>3</sup>
<b>Electrical data:</b>	
Motor standard:	IEC
Motor type:	SIEMENS
IE Efficiency class:	IE3
Rated power - P2:	30 kW
Power (P2) required by pump:	30 kW
Mains frequency:	50 Hz
Rated voltage:	3 x 380-420D/660-725Y V
Rated current:	53/31 A
Starting current:	700-700 %
Cos phi - power factor:	0.87
Rated speed:	2955 rpm
Efficiency:	IE3 93,3%
Motor efficiency at full load:	93.3-93.3 %



Description	Value
Motor efficiency at 3/4 load:	93.5-93.5 %
Motor efficiency at 1/2 load:	92.9-92.9 %
Number of poles:	2
Enclosure class (IEC 34-5):	IP55
Insulation class (IEC 85):	F
Built-in motor protection:	PTC
Motor No:	81U15332
<b>Controls:</b>	
Frequency converter:	NONE
<b>Others:</b>	
Minimum efficiency index, MEI ≥:	0.70
Net weight:	348 kg
Gross weight:	411 kg
Shipping volume:	1.14 m <sup>3</sup>
Danish VVS No.:	386935240
Finnish LVI No.:	4925618
Thrust handling device:	N
Country of origin:	GB
Custom tariff no.:	84137075

# On request CRN 95-4 A-F-A-E-HQQE 50 Hz



Note! All units are in [mm] unless others are stated.  
 Disclaimer: This simplified dimensional drawing does not show all details.

**On request CRN 95-4 A-F-A-E-HQQE 50 Hz**



IEC TP211 THERMALLY PROTECTED WHEN THE THERMISTORS ARE  
 CONNECTED TO AMPLIFIER RELAY FOR CONTROL OF MAIN SUPPLY  
 THERMISTORS PTC ACCORDING TO DIN 44082

Note! All units are in [mm] unless others are stated.

