

Qty.	Description
------	-------------

1	<b>CRN 95-2-2 A-F-A-E-HQQE</b>
---	--------------------------------



**Note! Product picture may differ from actual product**

Product No.: On request

Vertical, multistage centrifugal pump with inlet and outlet ports on same the level (inline). Pump materials in contact with the liquid are in high-grade stainless steel. The Grundfos cartridge shaft seal ensures high reliability, safe handling, and easy access and service. Power transmission is via a rigid split coupling. Pipe connection is via DIN flanges.

The pump is fitted with a 3-phase, fan-cooled asynchronous motor.

**Liquid:**

Pumped liquid:	Water
Liquid temperature range:	-20 .. 120 °C
Selected liquid temperature:	20 °C
Density:	998.2 kg/m <sup>3</sup>

**Technical:**

Pump speed on which pump data are based:	2950 rpm
Rated flow:	95 m <sup>3</sup> /h
Rated head:	32.6 m
Pump orientation:	Vertical
Shaft seal arrangement:	Single
Code for shaft seal:	HQQE
Approvals:	CE,EAC,UKCA,SEPRO
Curve tolerance:	ISO9906:2012 3B

**Materials:**

Base:	Stainless steel EN 1.4408 ASTM A351 CF8M
Impeller:	Stainless steel EN 1.4401 AISI 316
Bearing:	WC/WC
Support bearing:	Graflon
Material certified according to:	European standards

**Installation:**

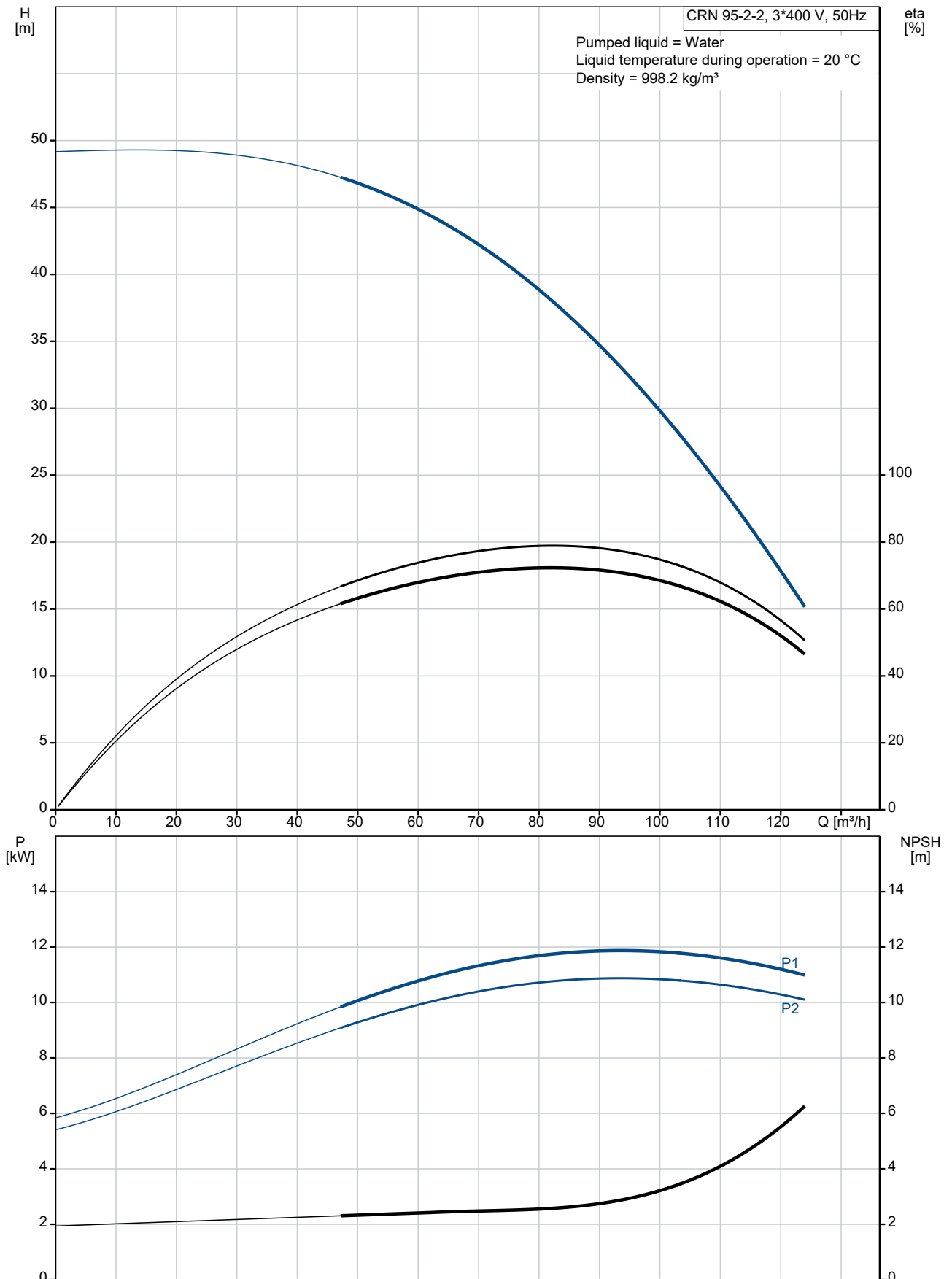
t max amb:	60 °C
Maximum operating pressure:	16 bar
Max pressure at stated temp:	16 bar / 120 °C
Type of connection:	DIN
Size of inlet connection:	DN 100
Size of outlet connection:	DN 100
Pressure rating for connection:	PN 16
Flange size for motor:	FF300

**Electrical data:**

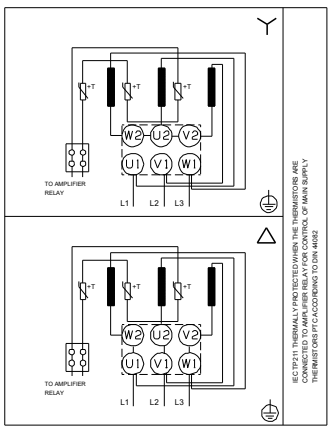
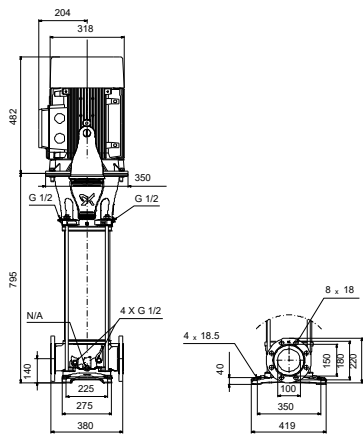
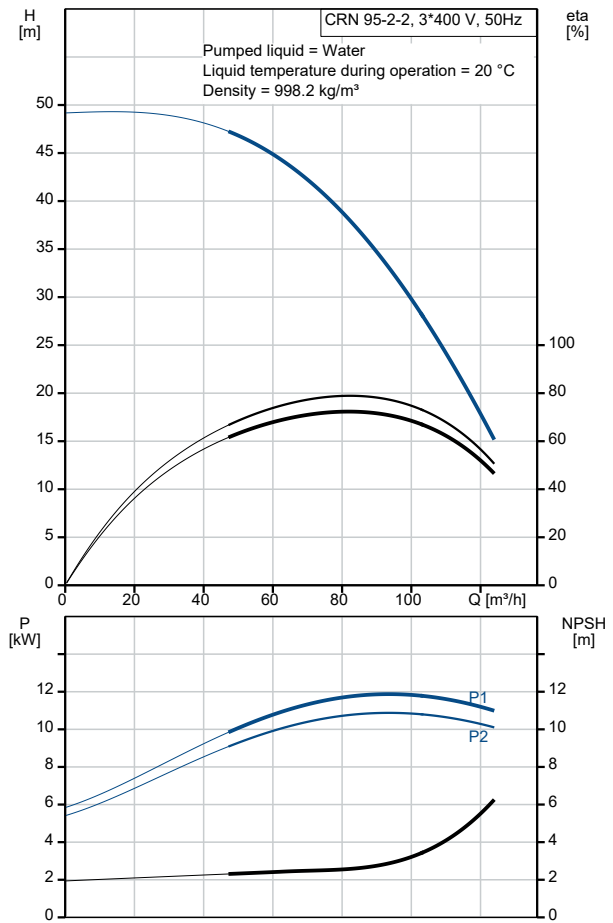
Motor standard:	IEC
-----------------	-----

Qty.	Description
1	<p>Motor type: 160MB            IE Efficiency class: IE3            Rated power - P2: 11 kW            Power (P2) required by pump: 11 kW            Mains frequency: 50 Hz            Rated voltage: 3 x 380-415D/660-690Y V            Rated current: 20,8-19,8/12,0-11,8 A            Starting current: 660-780 %            Cos phi - power factor: 0.88-0.84            Rated speed: 2940-2950 rpm            Efficiency: IE3 91,2%            Motor efficiency at full load: 91.2-91.2 %            Motor efficiency at 3/4 load: 91.8 %            Motor efficiency at 1/2 load: 91.3 %            Number of poles: 2            Enclosure class (IEC 34-5): 55 Dust/Jetting            Insulation class (IEC 85): F            Motor No: 85U17524</p> <p>Controls:            Frequency converter: NONE</p> <p>Others:            Minimum efficiency index, MEI ≥: 0.70            Net weight: 194 kg            Gross weight: 237 kg            Shipping volume: 0.611 m<sup>3</sup>            Danish VVS No.: 386935222            Finnish LVI No.: 4925614            Thrust handling device: N            Country of origin: GB            Custom tariff no.: 84137075</p>

## On request CRN 95-2-2 A-F-A-E-HQQE 50 Hz



Description	Value
<b>General information:</b>	
Product name:	CRN 95-2-2 A-F-A-E-HQQE
Product No:	On request
EAN number:	On request
<b>Technical:</b>	
Pump speed on which pump data are based:	2950 rpm
Rated flow:	95 m <sup>3</sup> /h
Rated head:	32.6 m
Maximum head:	49.3 m
Impellers:	2
Number of reduced-diameter impellers:	2
Low NPSH:	N
Pump orientation:	Vertical
Shaft seal arrangement:	Single
Code for shaft seal:	HQQE
Approvals:	CE,EAC,UKCA,SEPRO
Curve tolerance:	ISO9906:2012 3B
Pump version:	A
Model:	A
Cooling:	IC 411
<b>Materials:</b>	
Base:	Stainless steel
Base:	EN 1.4408
Base:	ASTM A351 CF8M
Impeller:	Stainless steel
Impeller:	EN 1.4401
Impeller:	AISI 316
Material code:	A
Code for rubber:	E
Bearing:	WC/WC
Support bearing:	Graflon
Material certified according to:	European standards
<b>Installation:</b>	
t max amb:	60 °C
Maximum operating pressure:	16 bar
Max pressure at stated temp:	16 bar / 120 °C
Type of connection:	DIN
Size of inlet connection:	DN 100
Size of outlet connection:	DN 100
Pressure rating for connection:	PN 16
Flange size for motor:	FF300
Connect code:	F
<b>Liquid:</b>	
Pumped liquid:	Water
Liquid temperature range:	-20 .. 120 °C
Selected liquid temperature:	20 °C
Density:	998.2 kg/m <sup>3</sup>
<b>Electrical data:</b>	
Motor standard:	IEC
Motor type:	160MB
IE Efficiency class:	IE3
Rated power - P1:	11 kW
Power (P2) required by pump:	11 kW
Mains frequency:	50 Hz
Rated voltage:	3 x 380-415D/660-690Y V
Rated current:	20,8-19,8/12,0-11,8 A
Starting current:	660-780 %





**Company name:** Pump Sales Direct

**Created by:**

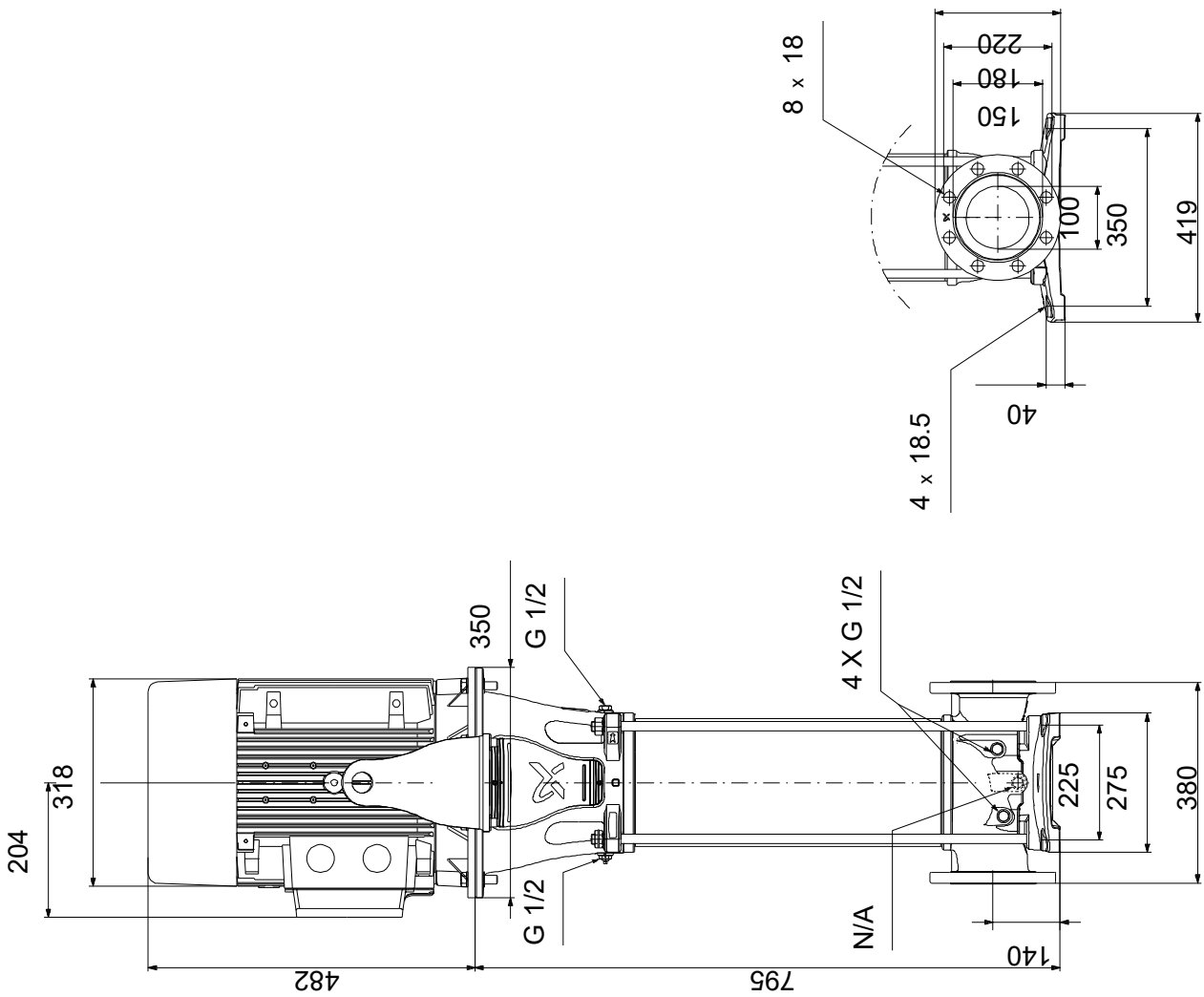
**Phone:** 08000086405

**Email:** customerservices@pumpsalesdirect.co.uk

**Date:** 01/08/2022

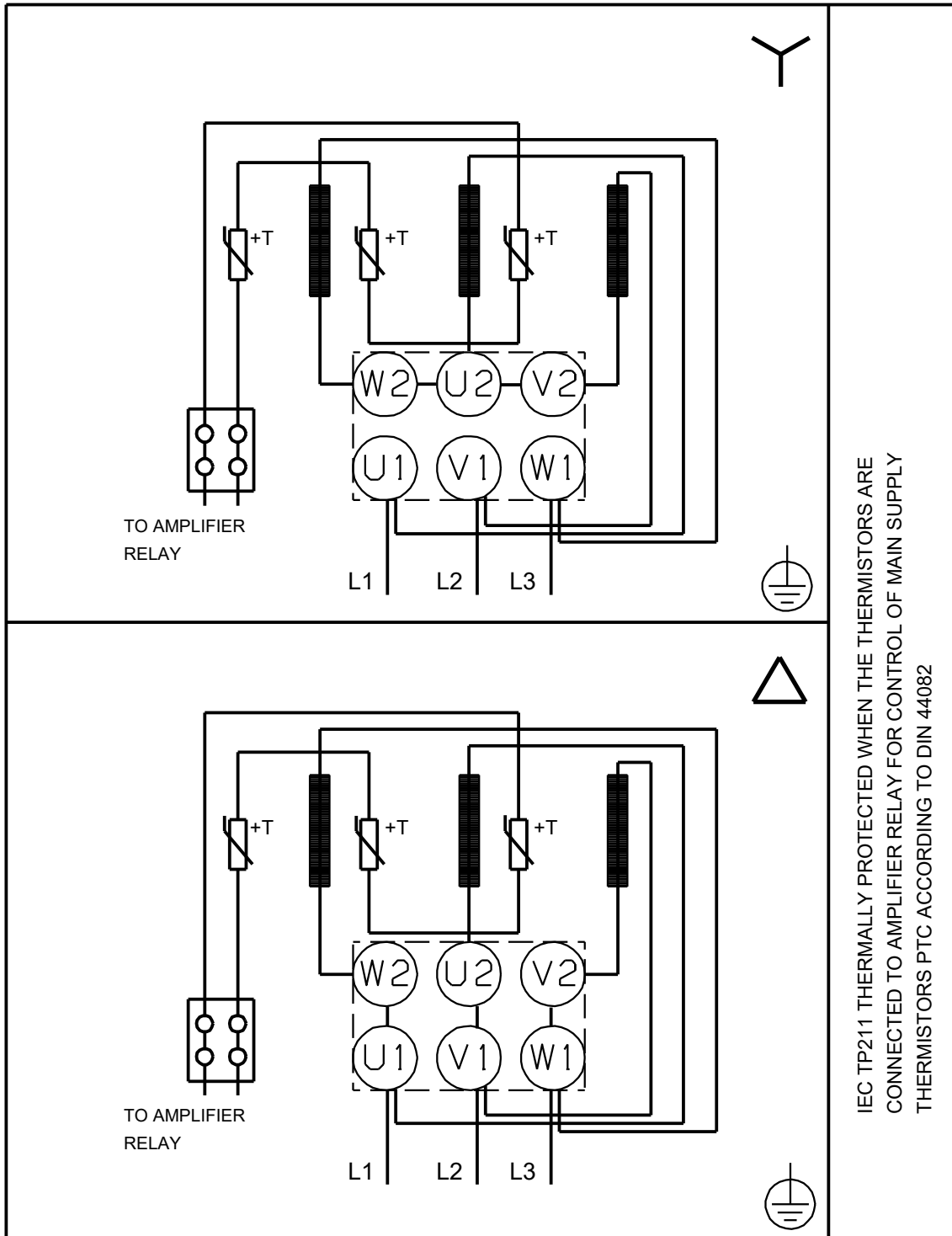
Description	Value
Cos phi - power factor:	0.88-0.84
Rated speed:	2940-2950 rpm
Efficiency:	IE3 91,2%
Motor efficiency at full load:	91.2-91.2 %
Motor efficiency at 3/4 load:	91.8 %
Motor efficiency at 1/2 load:	91.3 %
Number of poles:	2
Enclosure class (IEC 34-5):	55 Dust/Jetting
Insulation class (IEC 85):	F
Built-in motor protection:	PTC
Motor No:	85U17524
<b>Controls:</b>	
Frequency converter:	NONE
<b>Others:</b>	
Minimum efficiency index, MEI $\geq$ :	0.70
Net weight:	194 kg
Gross weight:	237 kg
Shipping volume:	0.611 m <sup>3</sup>
Danish VVS No.:	386935222
Finnish LVI No.:	4925614
Thrust handling device:	N
Country of origin:	GB
Custom tariff no.:	84137075

## On request CRN 95-2-2 A-F-A-E-HQQE 50 Hz



Note! All units are in [mm] unless others are stated.  
 Disclaimer: This simplified dimensional drawing does not show all details.

## On request CRN 95-2-2 A-F-A-E-HQQE 50 Hz



IEC TP211 THERMALLY PROTECTED WHEN THE THERMISTORS ARE  
CONNECTED TO AMPLIFIER RELAY FOR CONTROL OF MAIN SUPPLY  
THERMISTORS PTC ACCORDING TO DIN 44082

Note! All units are in [mm] unless others are stated.

