
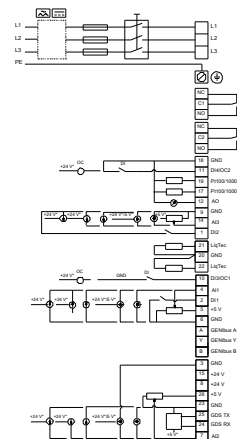
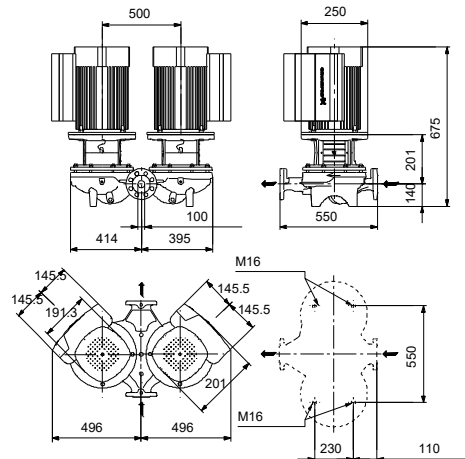
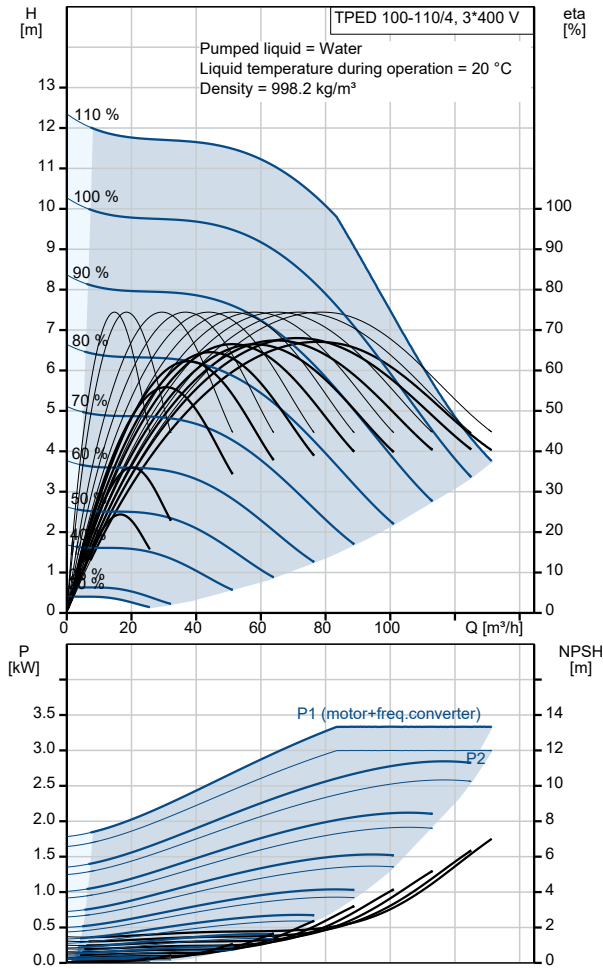


Qty.	Description
1	<p data-bbox="193 159 619 197">TPED 100-110/4 S-A-F-A-BQQE-JDA</p>  <p data-bbox="592 506 1066 533">Note! Product picture may differ from actual product</p> <p data-bbox="193 539 480 566">Product No.: On request</p> <p data-bbox="193 600 1460 651">Single-stage, close-coupled, volute twin-head pump with in-line suction and discharge ports of identical diameter. The twin-head pump is designed with two parallel power-heads.</p> <p data-bbox="193 658 1401 710">The pump is of the top-pull-out design, i.e. the power head (motor, pump head and impeller) can be removed for maintenance or service while the pump housing remains in the pipework.</p> <p data-bbox="193 716 911 743">Each power head is fitted with an unbalanced rubber bellows seal.</p> <p data-bbox="193 750 1460 777">The shaft seal is according to EN 12756. Pipework connection is via PN 16 DIN flanges (EN 1092-2 and ISO 7005-2).</p> <p data-bbox="193 804 1390 855">Each power head is fitted with a fan-cooled, permanent-magnet synchronous motor of identical size. The motor efficiency is classified as IE5 in accordance with IEC 60034-30-2.</p> <p data-bbox="193 862 1398 913">The motor includes a frequency converter and PI controller in the motor terminal box. This enables continuously variable control of the motor speed, which again enables adaptation of the performance to a given requirement.</p> <p data-bbox="193 920 770 947">The pump is fitted with a differential pressure sensor.</p> <p data-bbox="193 981 304 1008">Controls:</p> <p data-bbox="193 1014 643 1041">Frequency converter: Built-in</p> <p data-bbox="193 1070 277 1097">Liquid:</p> <p data-bbox="193 1104 635 1131">Pumped liquid: Water</p> <p data-bbox="193 1137 703 1164">Liquid temperature range: -25 .. 120 °C</p> <p data-bbox="193 1171 632 1198">Selected liquid temperature: 20 °C</p> <p data-bbox="193 1205 699 1232">Density: 998.2 kg/m³</p> <p data-bbox="193 1261 316 1288">Technical:</p> <p data-bbox="193 1294 820 1321">Pump speed on which pump data are based: 1455 rpm</p> <p data-bbox="193 1328 671 1355">Rated flow: 73.2 m³/h</p> <p data-bbox="193 1361 632 1388">Rated head: 8.4 m</p> <p data-bbox="193 1395 655 1422">Actual impeller diameter: 177 mm</p> <p data-bbox="193 1429 639 1456">Code for shaft seal: BQQE</p> <p data-bbox="193 1462 775 1489">Curve tolerance: ISO9906:2012 3B2</p> <p data-bbox="193 1518 309 1545">Materials:</p> <p data-bbox="193 1552 732 1603">Pump housing: Cast iron EN-GJL-250 ASTM class 35</p> <p data-bbox="193 1610 732 1693">Impeller: Cast iron EN-GJL-200 ASTM class 30</p> <p data-bbox="193 1727 328 1753">Installation:</p> <p data-bbox="193 1760 692 1787">Range of ambient temperature: -20 .. 50 °C</p> <p data-bbox="193 1794 639 1821">Maximum operating pressure: 16 bar</p> <p data-bbox="193 1827 732 1854">Max pressure at stated temp: 16 bar / 120 °C</p> <p data-bbox="193 1861 611 1888">Type of connection: DIN</p> <p data-bbox="193 1895 651 1921">Size of connection: DN 100</p> <p data-bbox="193 1928 536 1955">Pressure rating for connection: PN 16</p> <p data-bbox="193 1962 655 1989">Port-to-port length: 550 mm</p> <p data-bbox="193 1995 639 2022">Flange size for motor: FF215</p> <p data-bbox="193 2051 363 2078">Electrical data:</p> <p data-bbox="193 2085 639 2112">Motor type: 100LD</p> <p data-bbox="193 2119 608 2145">IE Efficiency class: IE5</p>

Qty.	Description
1	<p>Rated power - P2: 3 kW Mains frequency: 50 Hz Rated voltage: 3 x 380-500 V Rated current: 5.80-4.60 A Cos phi - power factor: 0.91-0.86 Rated speed: 180-2200 rpm Efficiency: 90.1% Motor efficiency at full load: 90.1 % Number of poles: 4 Enclosure class (IEC 34-5): IP55 Insulation class (IEC 85): F Motor No: 98971265</p> <p>Others: Minimum efficiency index, MEI ≥: 0.70 Net weight: 203 kg Gross weight: 234 kg Shipping volume: 1.14 m³ Country of origin: HU Custom tariff no.: 84137065</p>

Description	Value
General information:	
Product name:	TPED 100-110/4 S-A-F-A-BQQE-JDA
Product No:	On request
EAN number:	On request
Technical:	
Pump speed on which pump data are based:	1455 rpm
Rated flow:	73.2 m³/h
Rated head:	8.4 m
Maximum head:	110 dm
Actual impeller diameter:	177 mm
Code for shaft seal:	BQQE
Curve tolerance:	ISO9906:2012 3B2
Pump version:	A
Materials:	
Pump housing:	Cast iron
Pump housing:	EN-GJL-250
Pump housing:	ASTM class 35
Impeller:	Cast iron
Impeller:	EN-GJL-200
Impeller:	ASTM class 30
Material code:	A
Installation:	
Range of ambient temperature:	-20 .. 50 °C
Maximum operating pressure:	16 bar
Max pressure at stated temp:	16 bar / 120 °C
Type of connection:	DIN
Size of connection:	DN 100
Pressure rating for connection:	PN 16
Port-to-port length:	550 mm
Flange size for motor:	FF215
Connect code:	F
Liquid:	
Pumped liquid:	Water
Liquid temperature range:	-25 .. 120 °C
Selected liquid temperature:	20 °C
Density:	998.2 kg/m³
Electrical data:	
Motor type:	100LD
IE Efficiency class:	IE5
Rated power - P2:	3 kW
Mains frequency:	50 Hz
Rated voltage:	3 x 380-500 V
Rated current:	5.80-4.60 A
Cos phi - power factor:	0.91-0.86
Rated speed:	180-2200 rpm
Efficiency:	90.1%
Motor efficiency at full load:	90.1%
Number of poles:	4
Enclosure class (IEC 34-5):	IP55
Insulation class (IEC 85):	F
Built-in motor protection:	ELEC
Motor No:	98971265
Controls:	
Control panel:	HMI300 - Advanced
Function Module:	FM300 - Advanced
Frequency converter:	Built-in
Others:	
Minimum efficiency index, MEI ≥:	0.70
Net weight:	203 kg
Gross weight:	234 kg
Shipping volume:	1.14 m³
Config. file no:	99139280



Description	Value
Country of origin:	HU
Custom tariff no.:	84137065

