
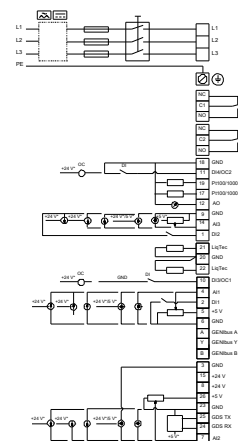
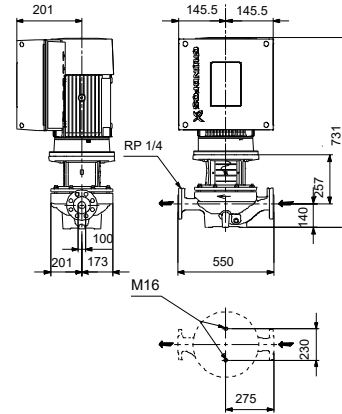
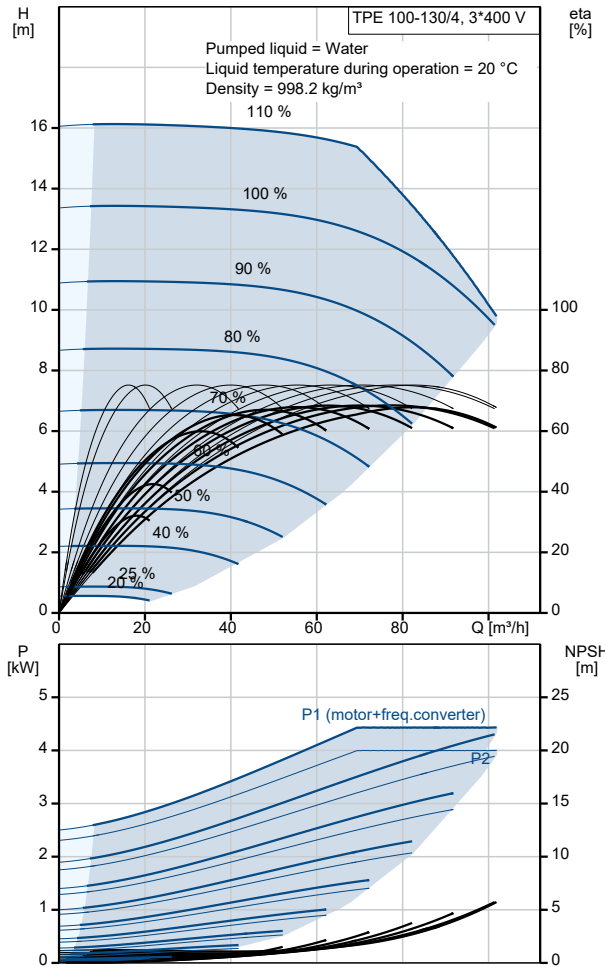


Qty.	Description
1	TPE 100-130/4 S-A-F-A-BQQE-KDA
	
	<p>Note! Product picture may differ from actual product</p>
	<p>Product No.: On request</p>
	<p>Single-stage, close-coupled, volute pump with in-line suction and discharge ports of identical diameter. The pump is of the top-pull-out design, i.e. the power head (motor, pump head and impeller) can be removed for maintenance or service while the pump housing remains in the pipework.</p> <p>The pump is fitted with an unbalanced rubber bellows seal.</p> <p>The shaft seal is according to EN 12756. Pipework connection is via PN 16 DIN flanges (EN 1092-2 and ISO 7005-2).</p> <p>The pump is fitted with a fan-cooled, permanent-magnet synchronous motor. The motor efficiency is classified as IE5 in accordance with IEC 60034-30-2.</p> <p>The motor includes a frequency converter and PI controller in the motor terminal box. This enables continuously variable control of the motor speed, which again enables adaptation of the performance to a given requirement.</p> <p>The pump is fitted with a differential pressure sensor.</p>
	<p>Controls: Frequency converter: Built-in</p>
	<p>Liquid: Pumped liquid: Water Liquid temperature range: -25 .. 120 °C Selected liquid temperature: 20 °C Density: 998.2 kg/m³</p>
	<p>Technical: Pump speed on which pump data are based: 1455 rpm Rated flow: 78.2 m³/h Rated head: 12.2 m Actual impeller diameter: 200 mm Code for shaft seal: BQQE Curve tolerance: ISO9906:2012 3B2</p>
	<p>Materials: Pump housing: Cast iron EN-GJL-250 ASTM class 35 Impeller: Cast iron EN-GJL-200 ASTM class 30</p>
	<p>Installation: Range of ambient temperature: -20 .. 50 °C Maximum operating pressure: 16 bar Max pressure at stated temp: 16 bar / 120 °C Type of connection: DIN Size of connection: DN 100 Pressure rating for connection: PN 16 Port-to-port length: 550 mm Flange size for motor: FF215</p>
	<p>Electrical data: Motor type: 112ME IE Efficiency class: IE5 Rated power - P2: 4 kW</p>

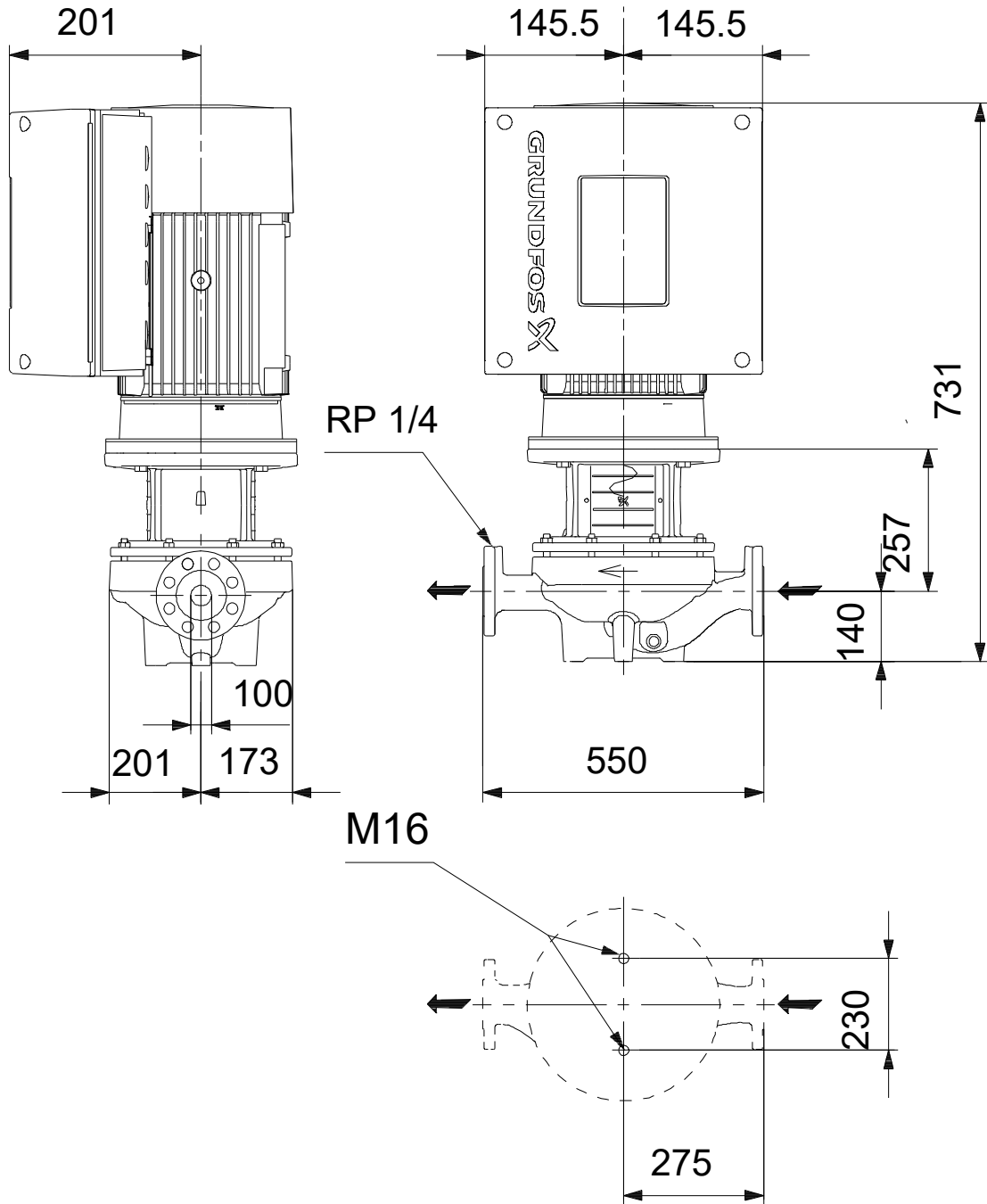
Qty.	Description																																										
1	<table border="0"> <tr> <td>Mains frequency:</td> <td>50 Hz</td> </tr> <tr> <td>Rated voltage:</td> <td>3 x 380-500 V</td> </tr> <tr> <td>Rated current:</td> <td>7.70-6.00 A</td> </tr> <tr> <td>Cos phi - power factor:</td> <td>0.92-0.87</td> </tr> <tr> <td>Rated speed:</td> <td>180-2200 rpm</td> </tr> <tr> <td>Efficiency:</td> <td>90.3%</td> </tr> <tr> <td>Motor efficiency at full load:</td> <td>90.3 %</td> </tr> <tr> <td>Number of poles:</td> <td>4</td> </tr> <tr> <td>Enclosure class (IEC 34-5):</td> <td>IP55</td> </tr> <tr> <td>Insulation class (IEC 85):</td> <td>F</td> </tr> <tr> <td>Motor No:</td> <td>98971266</td> </tr> <tr> <td colspan="2">Others:</td> </tr> <tr> <td>Minimum efficiency index, MEI ≥:</td> <td>0.70</td> </tr> <tr> <td>Net weight:</td> <td>127 kg</td> </tr> <tr> <td>Gross weight:</td> <td>146 kg</td> </tr> <tr> <td>Shipping volume:</td> <td>0.39 m³</td> </tr> <tr> <td>Danish VVS No.:</td> <td>381956130</td> </tr> <tr> <td>Finnish LVI No.:</td> <td>4616417</td> </tr> <tr> <td>Norwegian NRF no.:</td> <td>9043631</td> </tr> <tr> <td>Country of origin:</td> <td>HU</td> </tr> <tr> <td>Custom tariff no.:</td> <td>84137051</td> </tr> </table>	Mains frequency:	50 Hz	Rated voltage:	3 x 380-500 V	Rated current:	7.70-6.00 A	Cos phi - power factor:	0.92-0.87	Rated speed:	180-2200 rpm	Efficiency:	90.3%	Motor efficiency at full load:	90.3 %	Number of poles:	4	Enclosure class (IEC 34-5):	IP55	Insulation class (IEC 85):	F	Motor No:	98971266	Others:		Minimum efficiency index, MEI ≥:	0.70	Net weight:	127 kg	Gross weight:	146 kg	Shipping volume:	0.39 m ³	Danish VVS No.:	381956130	Finnish LVI No.:	4616417	Norwegian NRF no.:	9043631	Country of origin:	HU	Custom tariff no.:	84137051
Mains frequency:	50 Hz																																										
Rated voltage:	3 x 380-500 V																																										
Rated current:	7.70-6.00 A																																										
Cos phi - power factor:	0.92-0.87																																										
Rated speed:	180-2200 rpm																																										
Efficiency:	90.3%																																										
Motor efficiency at full load:	90.3 %																																										
Number of poles:	4																																										
Enclosure class (IEC 34-5):	IP55																																										
Insulation class (IEC 85):	F																																										
Motor No:	98971266																																										
Others:																																											
Minimum efficiency index, MEI ≥:	0.70																																										
Net weight:	127 kg																																										
Gross weight:	146 kg																																										
Shipping volume:	0.39 m ³																																										
Danish VVS No.:	381956130																																										
Finnish LVI No.:	4616417																																										
Norwegian NRF no.:	9043631																																										
Country of origin:	HU																																										
Custom tariff no.:	84137051																																										

Description	Value
General information:	
Product name:	TPE 100-130/4 S-A-F-A-BQQE-KDA
Product No:	On request
EAN number:	On request
Technical:	
Pump speed on which pump data are based:	1455 rpm
Rated flow:	78.2 m ³ /h
Rated head:	12.2 m
Maximum head:	130 dm
Actual impeller diameter:	200 mm
Code for shaft seal:	BQQE
Curve tolerance:	ISO9906:2012 3B2
Pump version:	A
Materials:	
Pump housing:	Cast iron
Pump housing:	EN-GJL-250
Pump housing:	ASTM class 35
Impeller:	Cast iron
Impeller:	EN-GJL-200
Impeller:	ASTM class 30
Material code:	A
Installation:	
Range of ambient temperature:	-20 .. 50 °C
Maximum operating pressure:	16 bar
Max pressure at stated temp:	16 bar / 120 °C
Type of connection:	DIN
Size of connection:	DN 100
Pressure rating for connection:	PN 16
Port-to-port length:	550 mm
Flange size for motor:	FF215
Connect code:	F
Liquid:	
Pumped liquid:	Water
Liquid temperature range:	-25 .. 120 °C
Selected liquid temperature:	20 °C
Density:	998.2 kg/m ³
Electrical data:	
Motor type:	112ME
IE Efficiency class:	IE5
Rated power - P2:	4 kW
Mains frequency:	50 Hz
Rated voltage:	3 x 380-500 V
Rated current:	7.70-6.00 A
Cos phi - power factor:	0.92-0.87
Rated speed:	180-2200 rpm
Efficiency:	90.3%
Motor efficiency at full load:	90.3 %
Number of poles:	4
Enclosure class (IEC 34-5):	IP55
Insulation class (IEC 85):	F
Built-in motor protection:	ELEC
Motor No:	98971266
Controls:	
Control panel:	HMI300 - Advanced
Function Module:	FM300 - Advanced
Frequency converter:	Built-in
Others:	
Minimum efficiency index, MEI ≥:	0.70
Net weight:	127 kg
Gross weight:	146 kg
Shipping volume:	0.39 m ³
Config. file no:	99139841



Description	Value
Danish VVS No.:	381956130
Finnish LVI No.:	4616417
Norwegian NRF no.:	9043631
Country of origin:	HU
Custom tariff no.:	84137051

On request TPE 100-130/4 S-A-F-A-BQQE-KDA 50 Hz



Note! All units are in [mm] unless others are stated.
Disclaimer: This simplified dimensional drawing does not show all details.

Order Data:

Position	Your pos.	Product name	Amount	Product No	Total
		TPE 100-130/4	1	On request	Price on request