
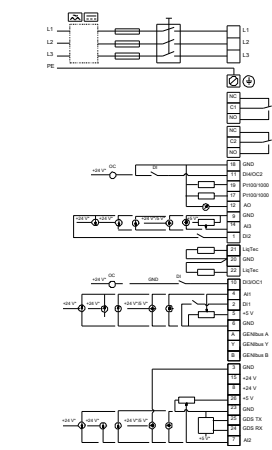
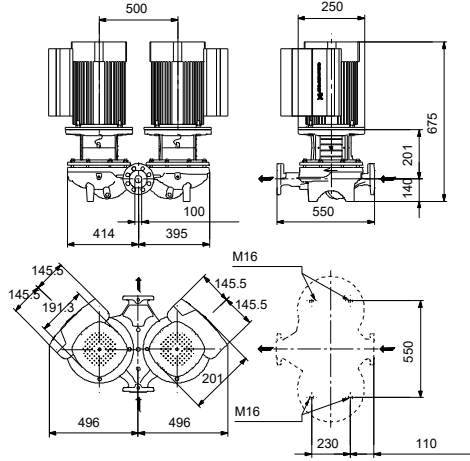
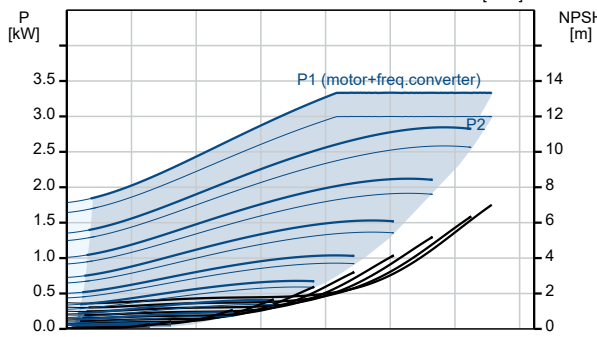
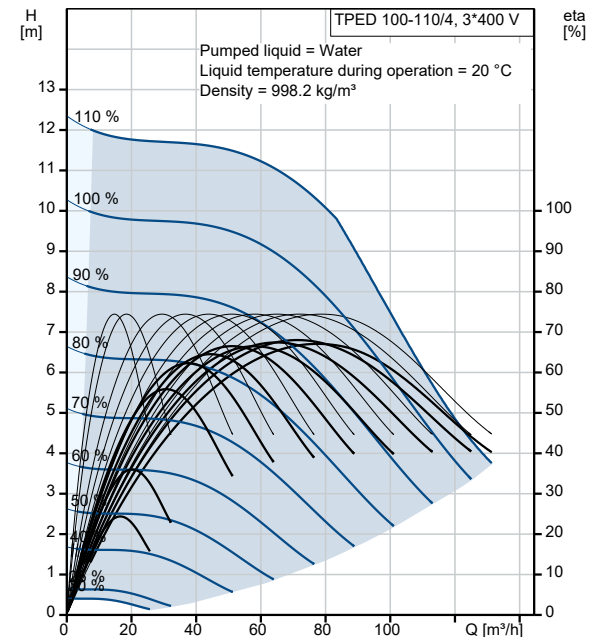


Qty.	Description																																																				
1	<p data-bbox="193 159 592 190">TPED 100-110/4 A-F-A-BQQE-JDA</p> <div data-bbox="236 215 544 528" style="text-align: center;">  </div> <p data-bbox="592 506 1066 533" style="text-align: center;">Note! Product picture may differ from actual product</p> <p data-bbox="193 539 480 566">Product No.: On request</p> <p data-bbox="193 600 1458 651">Single-stage, close-coupled, volute twin-head pump with in-line suction and discharge ports of identical diameter. The twin-head pump is designed with two parallel power-heads.</p> <p data-bbox="193 658 1401 710">The pump is of the top-pull-out design, i.e. the power head (motor, pump head and impeller) can be removed for maintenance or service while the pump housing remains in the pipework.</p> <p data-bbox="193 716 911 743">Each power head is fitted with an unbalanced rubber bellows seal.</p> <p data-bbox="193 750 1458 777">The shaft seal is according to EN 12756. Pipework connection is via PN 16 DIN flanges (EN 1092-2 and ISO 7005-2).</p> <p data-bbox="193 804 1390 855">Each power head is fitted with a fan-cooled, permanent-magnet synchronous motor of identical size. The motor efficiency is classified as IE5 in accordance with IEC 60034-30-2.</p> <p data-bbox="193 889 300 916">Controls:</p> <table data-bbox="193 920 639 947"> <tr> <td>Frequency converter:</td> <td>Built-in</td> </tr> </table> <p data-bbox="193 981 272 1008">Liquid:</p> <table data-bbox="193 1012 703 1128"> <tr> <td>Pumped liquid:</td> <td>Water</td> </tr> <tr> <td>Liquid temperature range:</td> <td>-25 .. 120 °C</td> </tr> <tr> <td>Selected liquid temperature:</td> <td>20 °C</td> </tr> <tr> <td>Density:</td> <td>998.2 kg/m³</td> </tr> </table> <p data-bbox="193 1162 316 1189">Technical:</p> <table data-bbox="193 1193 820 1364"> <tr> <td>Pump speed on which pump data are based:</td> <td>1455 rpm</td> </tr> <tr> <td>Rated flow:</td> <td>73.2 m³/h</td> </tr> <tr> <td>Rated head:</td> <td>8.4 m</td> </tr> <tr> <td>Actual impeller diameter:</td> <td>177 mm</td> </tr> <tr> <td>Code for shaft seal:</td> <td>BQQE</td> </tr> <tr> <td>Curve tolerance:</td> <td>ISO9906:2012 3B2</td> </tr> </table> <p data-bbox="193 1397 309 1424">Materials:</p> <table data-bbox="193 1429 730 1599"> <tr> <td>Pump housing:</td> <td>Cast iron EN-GJL-250 ASTM class 35</td> </tr> <tr> <td>Impeller:</td> <td>Cast iron EN-GJL-200 ASTM class 30</td> </tr> </table> <p data-bbox="193 1635 325 1662">Installation:</p> <table data-bbox="193 1666 730 1899"> <tr> <td>Range of ambient temperature:</td> <td>-20 .. 50 °C</td> </tr> <tr> <td>Maximum operating pressure:</td> <td>16 bar</td> </tr> <tr> <td>Max pressure at stated temp:</td> <td>16 bar / 120 °C</td> </tr> <tr> <td>Type of connection:</td> <td>DIN</td> </tr> <tr> <td>Size of connection:</td> <td>DN 100</td> </tr> <tr> <td>Pressure rating for connection:</td> <td>PN 16</td> </tr> <tr> <td>Port-to-port length:</td> <td>550 mm</td> </tr> <tr> <td>Flange size for motor:</td> <td>FF215</td> </tr> </table> <p data-bbox="193 1933 363 1960">Electrical data:</p> <table data-bbox="193 1964 719 2107"> <tr> <td>Motor type:</td> <td>100LD</td> </tr> <tr> <td>IE Efficiency class:</td> <td>IE5</td> </tr> <tr> <td>Rated power - P2:</td> <td>3 kW</td> </tr> <tr> <td>Mains frequency:</td> <td>50 Hz</td> </tr> <tr> <td>Rated voltage:</td> <td>3 x 380-500 V</td> </tr> </table>	Frequency converter:	Built-in	Pumped liquid:	Water	Liquid temperature range:	-25 .. 120 °C	Selected liquid temperature:	20 °C	Density:	998.2 kg/m ³	Pump speed on which pump data are based:	1455 rpm	Rated flow:	73.2 m ³ /h	Rated head:	8.4 m	Actual impeller diameter:	177 mm	Code for shaft seal:	BQQE	Curve tolerance:	ISO9906:2012 3B2	Pump housing:	Cast iron EN-GJL-250 ASTM class 35	Impeller:	Cast iron EN-GJL-200 ASTM class 30	Range of ambient temperature:	-20 .. 50 °C	Maximum operating pressure:	16 bar	Max pressure at stated temp:	16 bar / 120 °C	Type of connection:	DIN	Size of connection:	DN 100	Pressure rating for connection:	PN 16	Port-to-port length:	550 mm	Flange size for motor:	FF215	Motor type:	100LD	IE Efficiency class:	IE5	Rated power - P2:	3 kW	Mains frequency:	50 Hz	Rated voltage:	3 x 380-500 V
Frequency converter:	Built-in																																																				
Pumped liquid:	Water																																																				
Liquid temperature range:	-25 .. 120 °C																																																				
Selected liquid temperature:	20 °C																																																				
Density:	998.2 kg/m ³																																																				
Pump speed on which pump data are based:	1455 rpm																																																				
Rated flow:	73.2 m ³ /h																																																				
Rated head:	8.4 m																																																				
Actual impeller diameter:	177 mm																																																				
Code for shaft seal:	BQQE																																																				
Curve tolerance:	ISO9906:2012 3B2																																																				
Pump housing:	Cast iron EN-GJL-250 ASTM class 35																																																				
Impeller:	Cast iron EN-GJL-200 ASTM class 30																																																				
Range of ambient temperature:	-20 .. 50 °C																																																				
Maximum operating pressure:	16 bar																																																				
Max pressure at stated temp:	16 bar / 120 °C																																																				
Type of connection:	DIN																																																				
Size of connection:	DN 100																																																				
Pressure rating for connection:	PN 16																																																				
Port-to-port length:	550 mm																																																				
Flange size for motor:	FF215																																																				
Motor type:	100LD																																																				
IE Efficiency class:	IE5																																																				
Rated power - P2:	3 kW																																																				
Mains frequency:	50 Hz																																																				
Rated voltage:	3 x 380-500 V																																																				

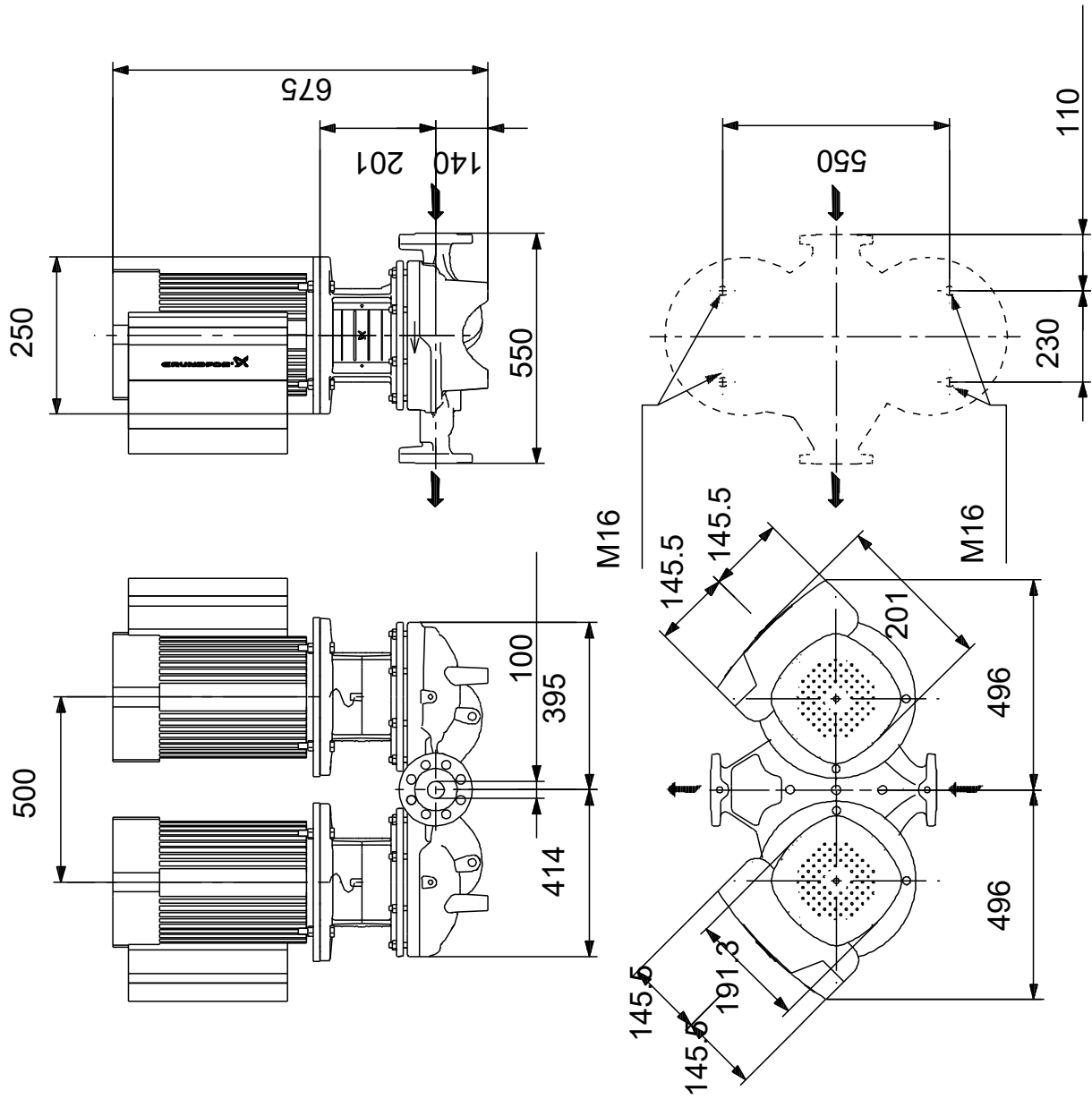
Qty.	Description
1	<p>Rated current: 5.80-4.60 A Cos phi - power factor: 0.91-0.86 Rated speed: 180-2200 rpm Efficiency: 90.1% Motor efficiency at full load: 90.1 % Number of poles: 4 Enclosure class (IEC 34-5): IP55 Insulation class (IEC 85): F Motor No: 98971182</p> <p>Others: Minimum efficiency index, MEI ≥: 0.70 Net weight: 203 kg Gross weight: 234 kg Shipping volume: 1.14 m³ Country of origin: HU Custom tariff no.: 84137065</p>

Description	Value
General information:	
Product name:	TPED 100-110/4 A-F-A-BQQE-JDA
Product No:	On request
EAN number:	On request
Technical:	
Pump speed on which pump data are based:	1455 rpm
Rated flow:	73.2 m ³ /h
Rated head:	8.4 m
Maximum head:	110 dm
Actual impeller diameter:	177 mm
Code for shaft seal:	BQQE
Curve tolerance:	ISO9906:2012 3B2
Pump version:	A
Materials:	
Pump housing:	Cast iron
Pump housing:	EN-GJL-250
Pump housing:	ASTM class 35
Impeller:	Cast iron
Impeller:	EN-GJL-200
Impeller:	ASTM class 30
Material code:	A
Installation:	
Range of ambient temperature:	-20 .. 50 °C
Maximum operating pressure:	16 bar
Max pressure at stated temp:	16 bar / 120 °C
Type of connection:	DIN
Size of connection:	DN 100
Pressure rating for connection:	PN 16
Port-to-port length:	550 mm
Flange size for motor:	FF215
Connect code:	F
Liquid:	
Pumped liquid:	Water
Liquid temperature range:	-25 .. 120 °C
Selected liquid temperature:	20 °C
Density:	998.2 kg/m ³
Electrical data:	
Motor type:	100LD
IE Efficiency class:	IE5
Rated power - P2:	3 kW
Mains frequency:	50 Hz
Rated voltage:	3 x 380-500 V
Rated current:	5.80-4.60 A
Cos phi - power factor:	0.91-0.86
Rated speed:	180-2200 rpm
Efficiency:	90.1%
Motor efficiency at full load:	90.1 %
Number of poles:	4
Enclosure class (IEC 34-5):	IP55
Insulation class (IEC 85):	F
Built-in motor protection:	ELEC
Motor No:	98971182
Controls:	
Control panel:	HMI200 - Standard
Function Module:	FM300 - Advanced
Frequency converter:	Built-in
Others:	
Minimum efficiency index, MEI ≥:	0.70
Net weight:	203 kg
Gross weight:	234 kg
Shipping volume:	1.14 m ³
Config. file no:	99100730



Description	Value
Country of origin:	HU
Custom tariff no.:	84137065

On request TPED 100-110/4 A-F-A-BQQE-JDA 50 Hz



Note! All units are in [mm] unless others are stated.
 Disclaimer: This simplified dimensional drawing does not show all details.

