
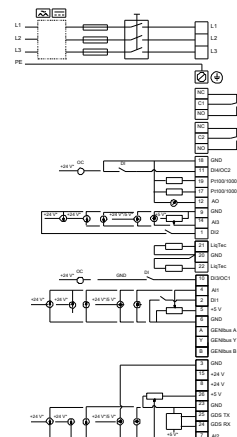
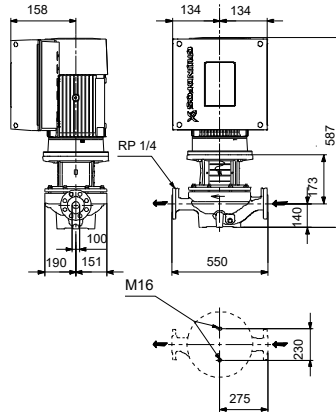
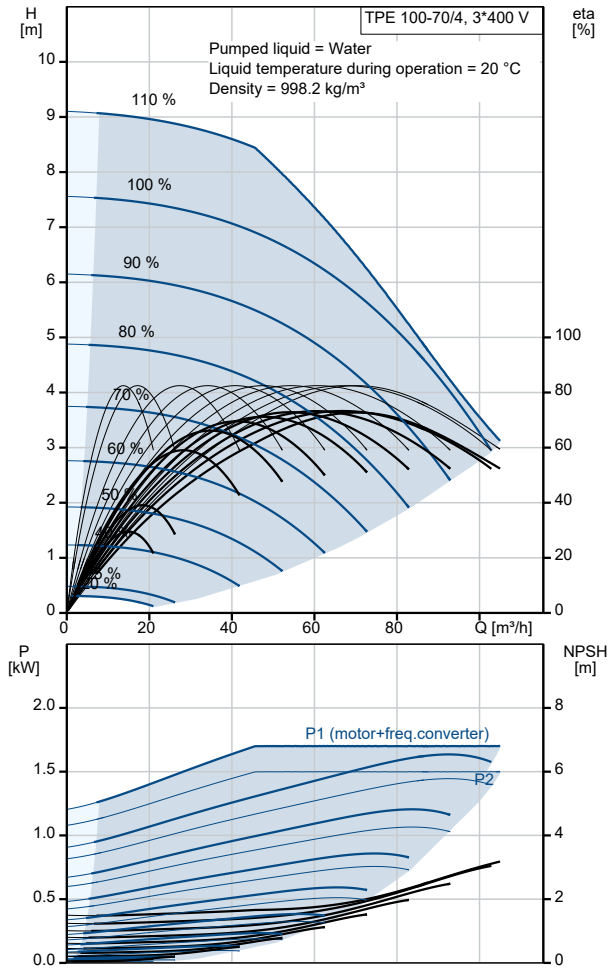


Qty.	Description
1	<b>TPE 100-70/4 A-F-A-BQQE-HDA</b>
	
	<p><b>Note! Product picture may differ from actual product</b></p>
	<p>Product No.: On request</p>
	<p>Single-stage, close-coupled, volute pump with in-line suction and discharge ports of identical diameter. The pump is of the top-pull-out design, i.e. the power head (motor, pump head and impeller) can be removed for maintenance or service while the pump housing remains in the pipework.</p> <p>The pump is fitted with an unbalanced rubber bellows seal.</p> <p>The shaft seal is according to EN 12756. Pipework connection is via PN 16 DIN flanges (EN 1092-2 and ISO 7005-2).</p>
	<p>The pump is fitted with a fan-cooled, permanent-magnet synchronous motor. The motor efficiency is classified as IE5 in accordance with IEC 60034-30-2.</p>
	<p>Controls:  Frequency converter: Built-in</p>
	<p>Liquid:  Pumped liquid: Water  Liquid temperature range: -25 .. 120 °C  Selected liquid temperature: 20 °C  Density: 998.2 kg/m<sup>3</sup></p>
	<p>Technical:  Pump speed on which pump data are based: 1445 rpm  Rated flow: 79.1 m<sup>3</sup>/h  Rated head: 4.75 m  Actual impeller diameter: 150 mm  Code for shaft seal: BQQE  Curve tolerance: ISO9906:2012 3B2</p>
	<p>Materials:  Pump housing: Cast iron  EN-GJL-250  ASTM class 35  Impeller: Cast iron  EN-GJL-200  ASTM class 30</p>
	<p>Installation:  Range of ambient temperature: -20 .. 50 °C  Maximum operating pressure: 16 bar  Max pressure at stated temp: 16 bar / 120 °C  Type of connection: DIN  Size of connection: DN 100  Pressure rating for connection: PN 16  Port-to-port length: 550 mm  Flange size for motor: FF165</p>
	<p>Electrical data:  Motor type: 90LE  IE Efficiency class: IE5  Rated power - P2: 1.5 kW  Mains frequency: 50 Hz  Rated voltage: 3 x 380-500 V  Rated current: 2.90-2.50 A</p>

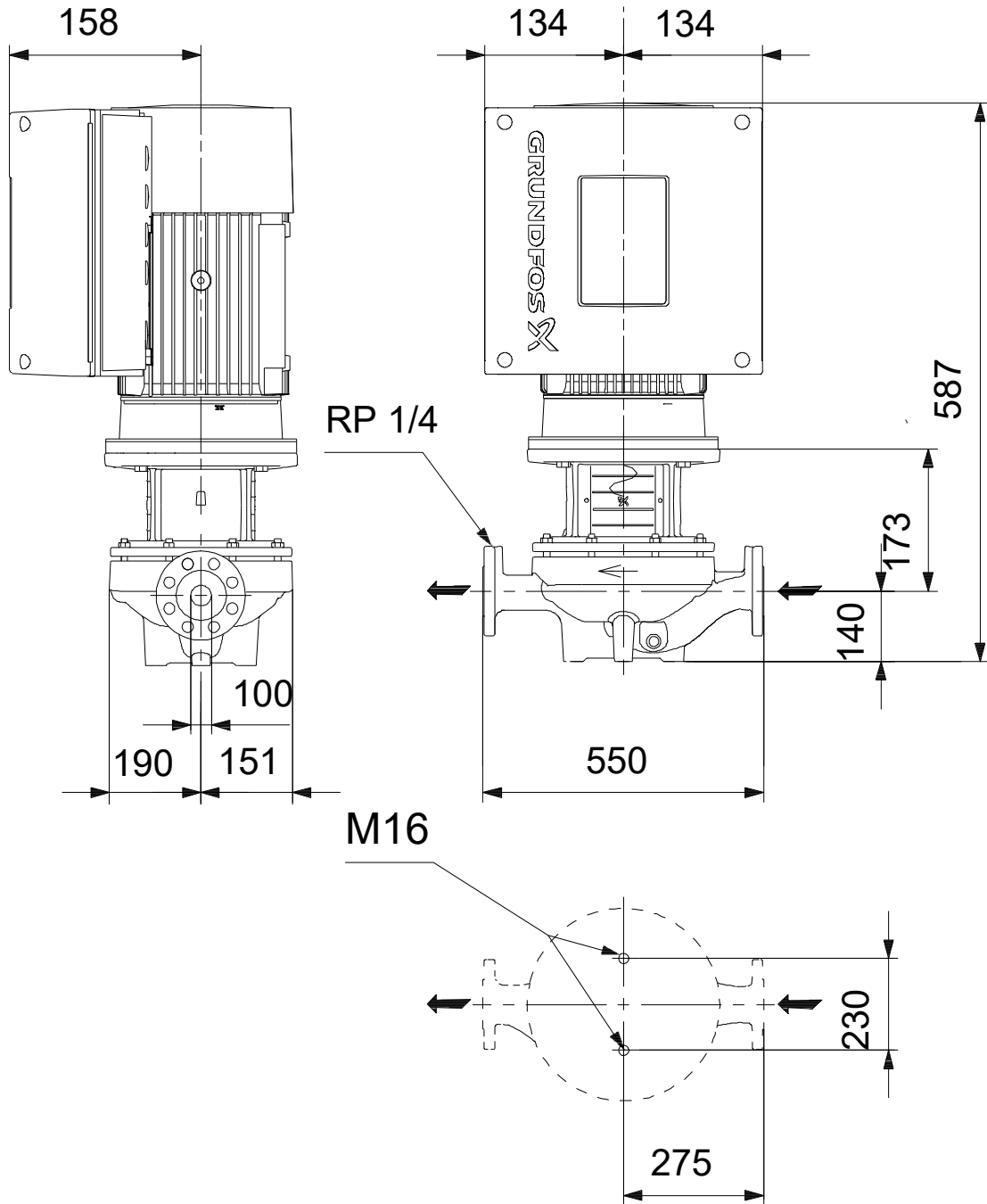
Qty.	Description
1	<p> Cos phi - power factor: 0.93  Rated speed: 180-2000 rpm  Efficiency: 88.0%  Motor efficiency at full load: 88.0 %  Number of poles: 4  Enclosure class (IEC 34-5): IP55  Insulation class (IEC 85): F  Motor No: 98971180   Others:  Minimum efficiency index, MEI ≥: 0.70  Net weight: 90 kg  Gross weight: 108 kg  Shipping volume: 0.39 m<sup>3</sup>  Danish VVS No.: 382056070  Finnish LVI No.: 4616490  Country of origin: HU  Custom tariff no.: 84137051 </p>

Description	Value
<b>General information:</b>	
Product name:	TPE 100-70/4 A-F-A-BQQE-HDA
Product No:	On request
EAN number:	On request
<b>Technical:</b>	
Pump speed on which pump data are based:	1445 rpm
Rated flow:	79.1 m³/h
Rated head:	4.75 m
Maximum head:	70 dm
Actual impeller diameter:	150 mm
Code for shaft seal:	BQQE
Curve tolerance:	ISO9906:2012 3B2
Pump version:	A
<b>Materials:</b>	
Pump housing:	Cast iron
Pump housing:	EN-GJL-250
Pump housing:	ASTM class 35
Impeller:	Cast iron
Impeller:	EN-GJL-200
Impeller:	ASTM class 30
Material code:	A
<b>Installation:</b>	
Range of ambient temperature:	-20 .. 50 °C
Maximum operating pressure:	16 bar
Max pressure at stated temp:	16 bar / 120 °C
Type of connection:	DIN
Size of connection:	DN 100
Pressure rating for connection:	PN 16
Port-to-port length:	550 mm
Flange size for motor:	FF165
Connect code:	F
<b>Liquid:</b>	
Pumped liquid:	Water
Liquid temperature range:	-25 .. 120 °C
Selected liquid temperature:	20 °C
Density:	998.2 kg/m³
<b>Electrical data:</b>	
Motor type:	90LE
IE Efficiency class:	IE5
Rated power - P2:	1.5 kW
Mains frequency:	50 Hz
Rated voltage:	3 x 380-500 V
Rated current:	2.90-2.50 A
Cos phi - power factor:	0.93
Rated speed:	180-2000 rpm
Efficiency:	88.0%
Motor efficiency at full load:	88.0 %
Number of poles:	4
Enclosure class (IEC 34-5):	IP55
Insulation class (IEC 85):	F
Built-in motor protection:	ELEC
Motor No:	98971180
<b>Controls:</b>	
Control panel:	HMI200 - Standard
Function Module:	FM300 - Advanced
Frequency converter:	Built-in
<b>Others:</b>	
Minimum efficiency index, MEI ≥:	0.70
Net weight:	90 kg
Gross weight:	108 kg
Shipping volume:	0.39 m³
Config. file no:	99100755



Description	Value
Danish VVS No.:	382056070
Finnish LVI No.:	4616490
Country of origin:	HU
Custom tariff no.:	84137051

**On request TPE 100-70/4 A-F-A-BQQE-HDA 50 Hz**



Note! All units are in [mm] unless others are stated.  
Disclaimer: This simplified dimensional drawing does not show all details.

