

Qty. Description1 **NBE 32-200/219 AAF2AESBQQEHWA**

Note! Product picture may differ from actual product

Product No.: [99105406](#)

Non-self-priming, single-stage, centrifugal volute pump designed according to ISO 5199 with dimensions and rated performance according to EN 733 (10 bar).

Flanges are PN 16 with dimensions according to EN 1092-2. The pump has an axial suction port, radial discharge port, horizontal shaft and a back pull-out design enabling removal of the motor, motor stool, cover and impeller without disturbing the pump housing or pipework.

The unbalanced rubber bellows seal is according to DIN EN 12756.

The pump is close-coupled to a fan-cooled, permanent-magnet synchronous motor.

The motor includes a frequency converter and PI controller in the motor terminal box. This enables continuously variable control of the motor speed, which again enables adaptation of the performance to a given requirement.

Controls:

Frequency converter: Built-in
Pressure sensor: N

Liquid:

Pumped liquid: Water
Liquid temperature range: -25 .. 120 °C
Selected liquid temperature: 20 °C
Density: 998.2 kg/m³

Technical:

Pump speed on which pump data are based: 1470 rpm
Rated flow: 19.67 m³/h
Rated head: 13.46 m
Actual impeller diameter: 219 mm
Nominal impeller diameter: 200
Shaft seal arrangement: Single
Code for shaft seal: BQQE
Curve tolerance: ISO9906:2012 3B2
Bearing design: Standard

Materials:

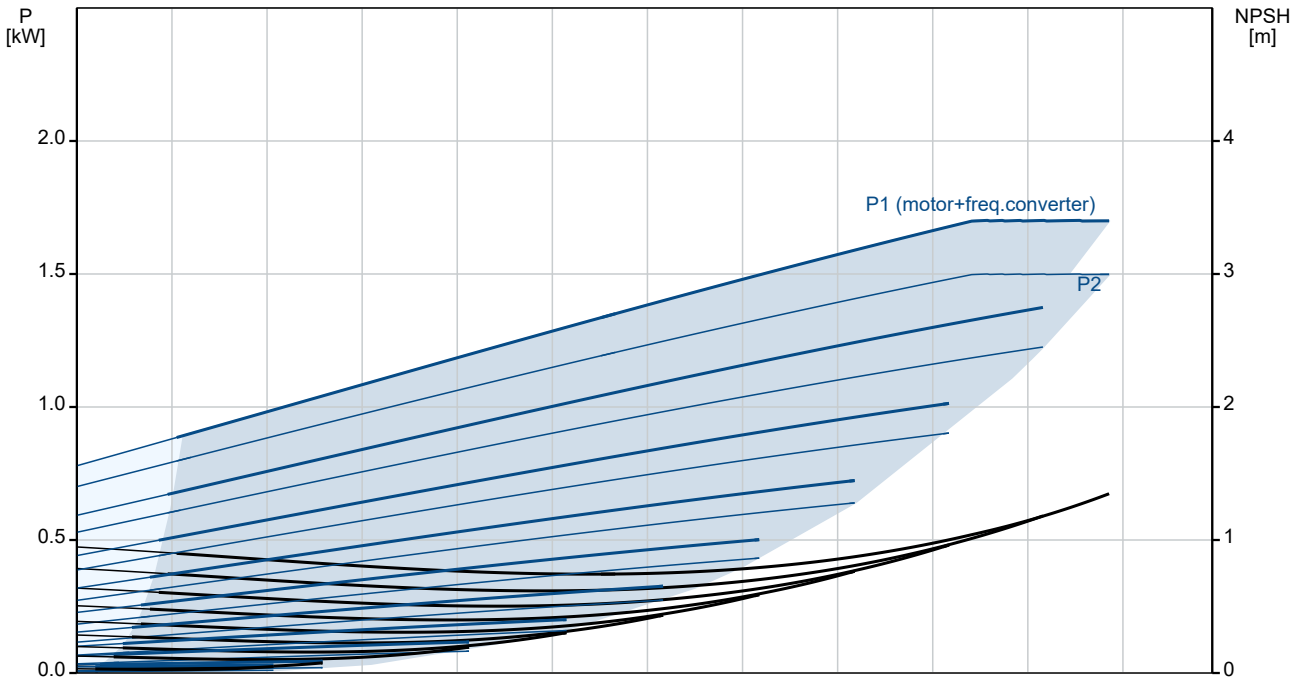
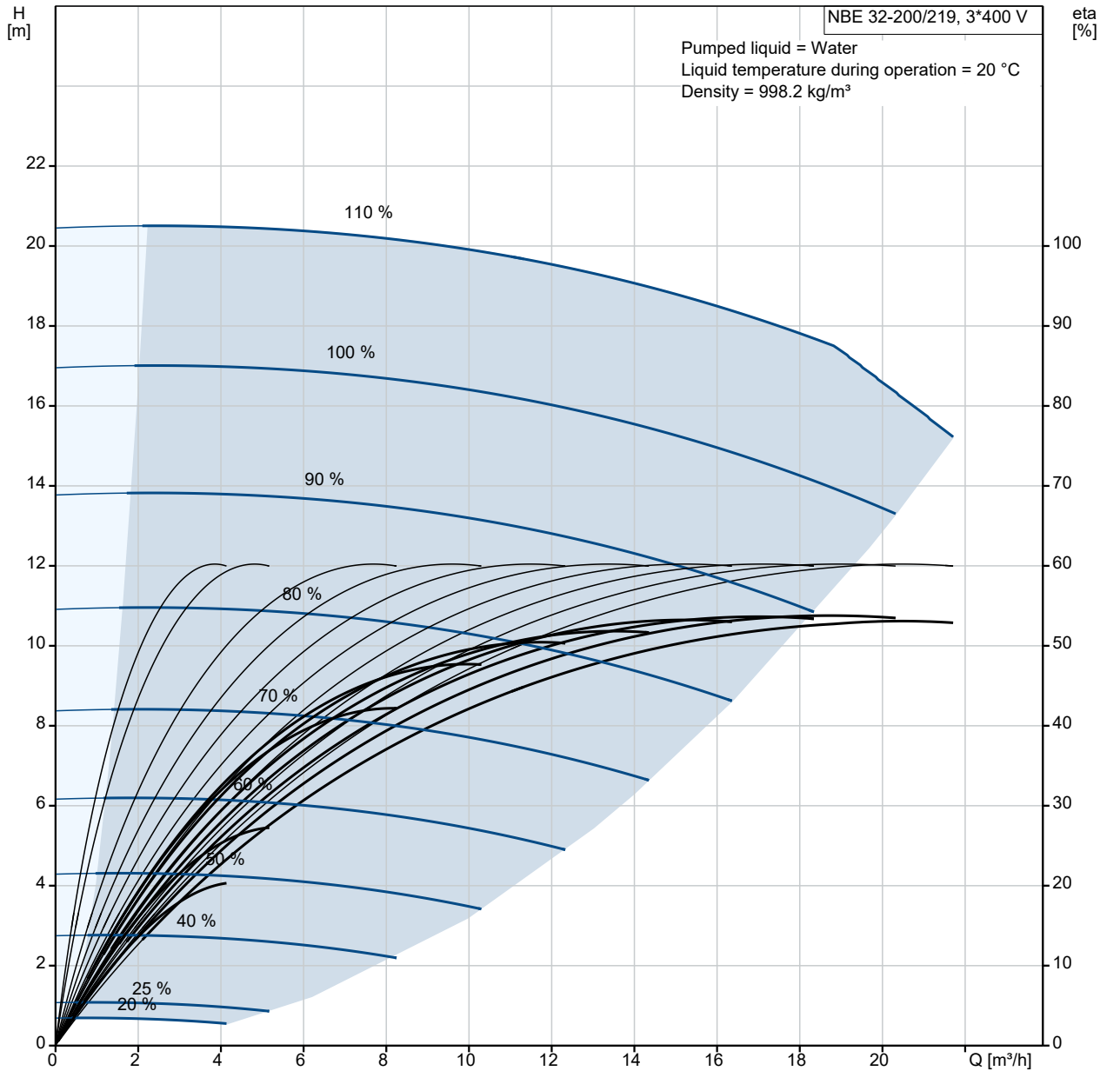
Pump housing: Cast iron
EN-GJL-250
ASTM class 35
Wear ring: Brass
Impeller: Cast iron
EN-GJL-200
ASTM class 30
Internal pump house coating: CED
Shaft: Stainless steel
EN 1.4301
AISI 304

Installation:

Range of ambient temperature: -20 .. 50 °C
Maximum operating pressure: 16 bar
Pipe connection standard: EN 1092-2
Size of inlet connection: DN 50
Size of outlet connection: DN 32
Pressure rating for connection: PN 16

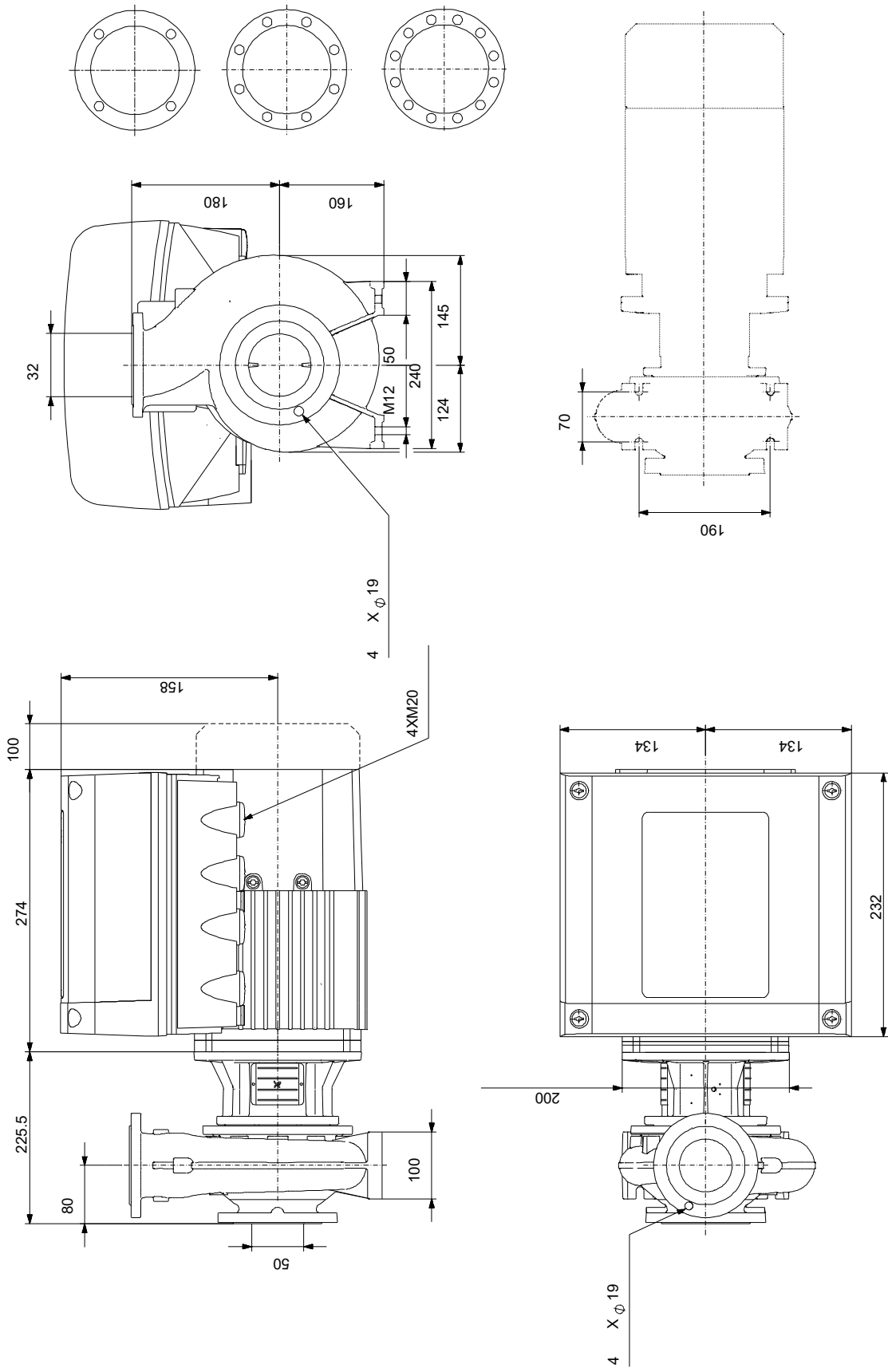
Qty.	Description																																																				
1	<table border="0"> <tr> <td>Bearing lubrication:</td> <td>Grease</td> </tr> <tr> <td>Pump housing with feet:</td> <td>Yes</td> </tr> <tr> <td>Support block (Yes/No):</td> <td>N</td> </tr> <tr> <td colspan="2">Electrical data:</td> </tr> <tr> <td>IE Efficiency class:</td> <td>IE5</td> </tr> <tr> <td>Rated power - P2:</td> <td>1.5 kW</td> </tr> <tr> <td>Mains frequency:</td> <td>50 Hz</td> </tr> <tr> <td>Rated voltage:</td> <td>3 x 380-500 V</td> </tr> <tr> <td>Rated current:</td> <td>2.90-2.50 A</td> </tr> <tr> <td>Cos phi - power factor:</td> <td>0.93</td> </tr> <tr> <td>Rated speed:</td> <td>180-2000 rpm</td> </tr> <tr> <td>Efficiency:</td> <td>88.0%</td> </tr> <tr> <td>Motor efficiency at full load:</td> <td>88.0 %</td> </tr> <tr> <td>Number of poles:</td> <td>4</td> </tr> <tr> <td>Enclosure class (IEC 34-5):</td> <td>IP55</td> </tr> <tr> <td>Insulation class (IEC 85):</td> <td>F</td> </tr> <tr> <td>Motor No:</td> <td>98971263</td> </tr> <tr> <td>Bearing insulation type N-end:</td> <td>STEEL BEARING</td> </tr> <tr> <td colspan="2">Others:</td> </tr> <tr> <td>Minimum efficiency index, MEI ≥:</td> <td>0.69</td> </tr> <tr> <td>Net weight:</td> <td>49 kg</td> </tr> <tr> <td>Gross weight:</td> <td>59 kg</td> </tr> <tr> <td>Shipping volume:</td> <td>0.134 m³</td> </tr> <tr> <td>Danish VVS No.:</td> <td>386100208</td> </tr> <tr> <td>Country of origin:</td> <td>HU</td> </tr> <tr> <td>Custom tariff no.:</td> <td>84137051</td> </tr> </table>	Bearing lubrication:	Grease	Pump housing with feet:	Yes	Support block (Yes/No):	N	Electrical data:		IE Efficiency class:	IE5	Rated power - P2:	1.5 kW	Mains frequency:	50 Hz	Rated voltage:	3 x 380-500 V	Rated current:	2.90-2.50 A	Cos phi - power factor:	0.93	Rated speed:	180-2000 rpm	Efficiency:	88.0%	Motor efficiency at full load:	88.0 %	Number of poles:	4	Enclosure class (IEC 34-5):	IP55	Insulation class (IEC 85):	F	Motor No:	98971263	Bearing insulation type N-end:	STEEL BEARING	Others:		Minimum efficiency index, MEI ≥:	0.69	Net weight:	49 kg	Gross weight:	59 kg	Shipping volume:	0.134 m ³	Danish VVS No.:	386100208	Country of origin:	HU	Custom tariff no.:	84137051
Bearing lubrication:	Grease																																																				
Pump housing with feet:	Yes																																																				
Support block (Yes/No):	N																																																				
Electrical data:																																																					
IE Efficiency class:	IE5																																																				
Rated power - P2:	1.5 kW																																																				
Mains frequency:	50 Hz																																																				
Rated voltage:	3 x 380-500 V																																																				
Rated current:	2.90-2.50 A																																																				
Cos phi - power factor:	0.93																																																				
Rated speed:	180-2000 rpm																																																				
Efficiency:	88.0%																																																				
Motor efficiency at full load:	88.0 %																																																				
Number of poles:	4																																																				
Enclosure class (IEC 34-5):	IP55																																																				
Insulation class (IEC 85):	F																																																				
Motor No:	98971263																																																				
Bearing insulation type N-end:	STEEL BEARING																																																				
Others:																																																					
Minimum efficiency index, MEI ≥:	0.69																																																				
Net weight:	49 kg																																																				
Gross weight:	59 kg																																																				
Shipping volume:	0.134 m ³																																																				
Danish VVS No.:	386100208																																																				
Country of origin:	HU																																																				
Custom tariff no.:	84137051																																																				

99105406 NBE 32-200/219 AAF2AESBQQEHW 50 Hz



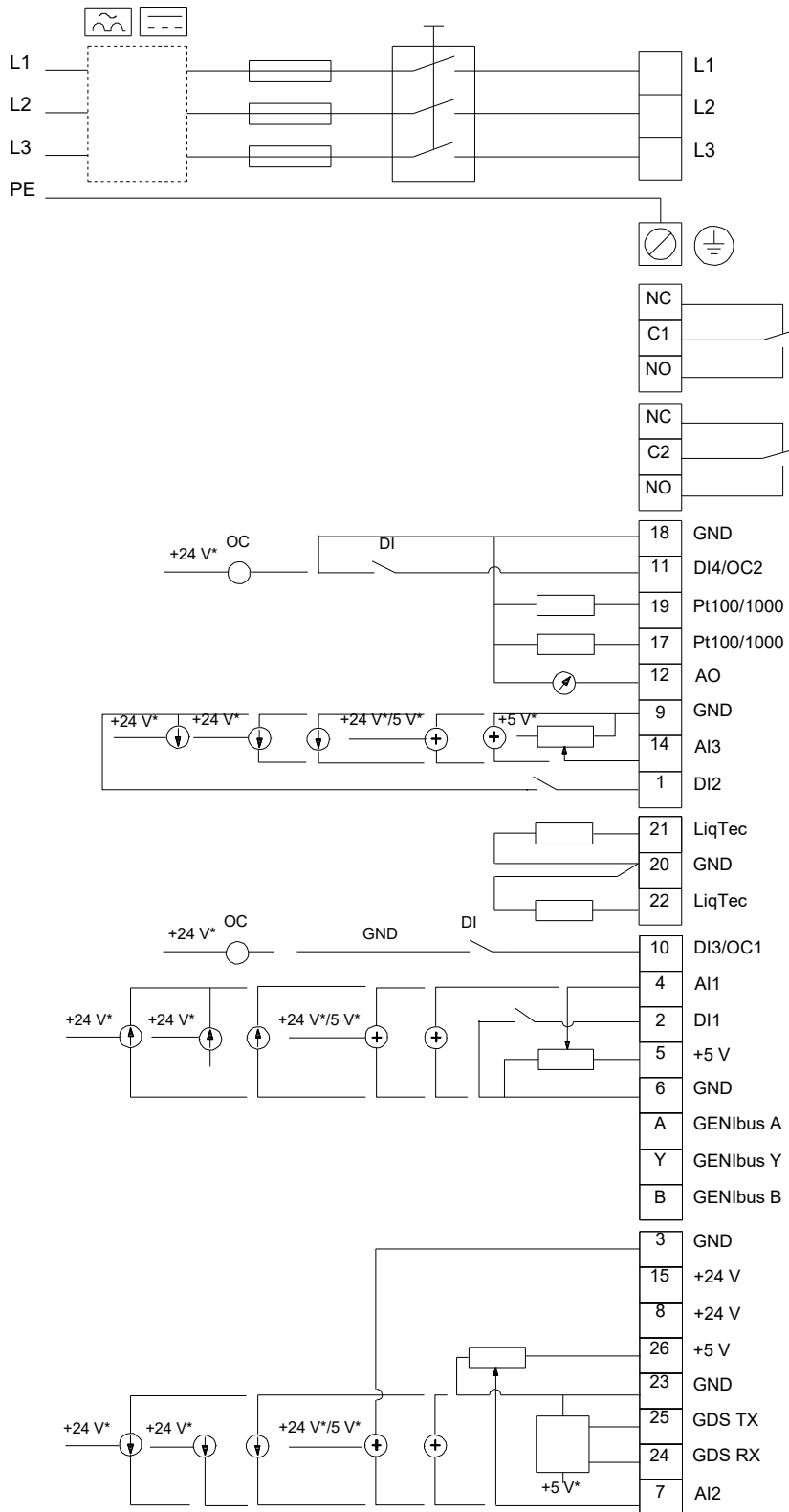
Description	Value
Bearing insulation type N-end:	STEEL BEARING
Controls:	
Control panel:	HMI300 - Graphical
Function Module:	FM300 - Advanced
Frequency converter:	Built-in
Pressure sensor:	N
Others:	
Minimum efficiency index, MEI ≥:	0.69
Net weight:	49 kg
Gross weight:	59 kg
Shipping volume:	0.134 m ³
Danish VVS No.:	386100208
Country of origin:	HU
Custom tariff no.:	84137051

99105406 NBE 32-200/219 AAF2AESBQQEHW 50 Hz



Note! All units are in [mm] unless others are stated.
 Disclaimer: This simplified dimensional drawing does not show all details.

99105406 NBE 32-200/219 AAF2AESBQQEHW 50 Hz



Note! All units are in [mm] unless others are stated.

