

Qty.	Description
------	-------------

1	NBE 125-315/275 AASF2AESBQQEPW3
---	---------------------------------



Note! Product picture may differ from actual product

Product No.: [99042637](#)

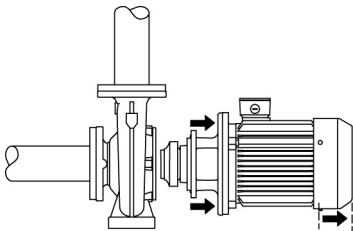
Non-self-priming, single-stage, centrifugal volute pump designed according to ISO 5199 with dimensions and rated performance according to EN 733 (10 bar).

Flanges are PN 16 with dimensions according to EN 1092-2. The pump has an axial suction port, radial discharge port, horizontal shaft and a back pull-out design enabling removal of the motor, motor stool, cover and impeller without disturbing the pump housing or pipework.

The unbalanced rubber bellows seal is according to DIN EN 12756.

The pump is close-coupled to a fan-cooled asynchronous motor.

The back pull-out design means that the pump can be serviced by a single person without disturbing the pump housing or pipes.



Cast-iron parts have an epoxy-based coating made in a cathodic electro-deposition (CED) process. CED is a high-quality dip-painting process where an electrical field around the products ensures deposition of paint particles as a thin, well-controlled layer on the surface.

Pump

The pump housing has both a priming and a drain hole closed by plugs. The impeller is a closed impeller with double-curved blades with smooth surfaces. The impeller is statically balanced according to ISO 1940-1 class G6.3 and hydraulically balanced to compensate for axial thrust.

Wear rings used in pump housing and for impeller are made of bronze/brass.

Motor stool and pump cover are made of cast iron (EN-GJL-250). Coupling guards are fitted to the motor stool. The pump cover is provided with a manual air vent screw for venting of the pump housing and the shaft seal chamber.

The pump is fitted with an unbalanced rubber bellows seal with torque transmission across the spring and around the bellows. Due to the bellows, the seal does not wear the shaft, and the axial movement is not prevented by deposits on the shaft.

Seal faces:

- Rotating seal ring material: silicon carbide (SiC)
- Stationary seat material: silicon carbide (SiC)

This material pairing is used where higher corrosion resistance is required. The high hardness of this material pairing offers good resistance against abrasive particles.

Secondary seal material: EPDM (ethylene-propylene rubber)

EPDM has excellent resistance to hot water. EPDM is not suitable for mineral oils.

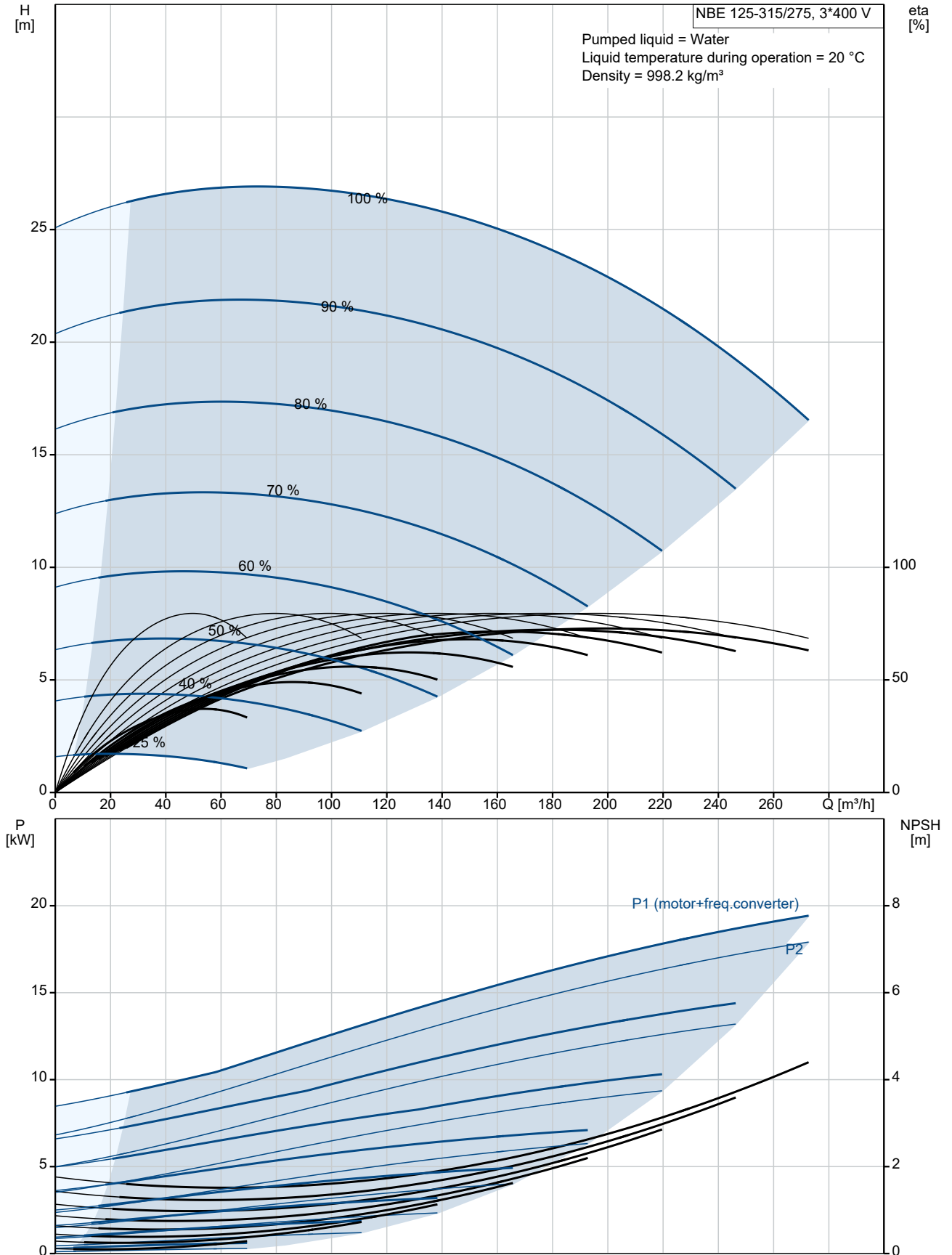
The pump housing has feet.

The pump is to be secured to the foundation with bolts through the pump housing feet and motor feet. The pump is delivered with steel support blocks. The support blocks provide horizontal alignment of the pump and ensure clearance between the motor stool/motor flange and the foundation.

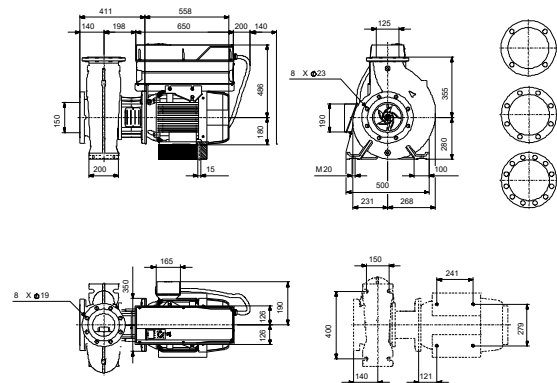
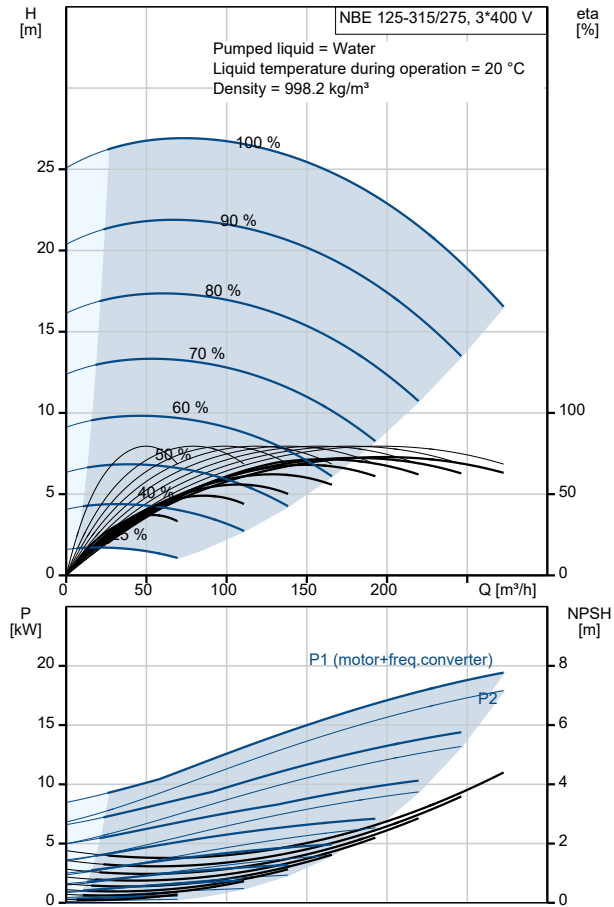
Qty.	Description
1	<p data-bbox="201 338 268 371">Motor</p> <p data-bbox="201 376 1481 427">The motor is a totally enclosed, fan-cooled motor with principal dimensions to IEC and DIN standards. Electrical tolerances comply with IEC 60034.</p> <p data-bbox="201 432 1018 465">The motor efficiency is classified as IE4 in accordance with IEC 60034-30-1.</p> <p data-bbox="201 468 1481 519">The motor has thermistors (PTC sensors) in the windings in accordance with DIN 44081/DIN 44082. The protection reacts to both slow- and quick-rising temperatures, e.g. constant overload and stalled conditions.</p> <p data-bbox="201 521 1481 600">Thermal switches must be connected to an external control circuit in a way which ensures that the automatic reset cannot cause accidents. The motors must be connected to a motor-protective circuit breaker according to local regulations.</p> <p data-bbox="201 604 1481 656">The motor requires no external motor protection. The motor control unit incorporates protection against slow- and quick-rising temperatures, e.g. constant overload and stalled conditions.</p> <p data-bbox="201 660 1481 712">The motor is equipped with bearing current protection. This protects the bearings from failure due to bearing currents, which can be caused e.g. by the high-frequency switching of a variable frequency drive.</p> <p data-bbox="201 779 512 813">Further product details</p> <p data-bbox="201 817 1481 891">Cast-iron parts have an epoxy-based coating made in a cathodic electro-deposition (CED) process. CED is a high-quality dip-painting process where an electrical field around the products ensures deposition of paint particles as a thin, well-controlled layer on the surface.</p> <p data-bbox="201 958 400 992">Technical data</p> <p data-bbox="201 1025 300 1059">Controls:</p> <p data-bbox="201 1061 948 1205"> VFD product number: 99616822 Frequency converter: Built-in Type of frequency converter: CUE 3X380-500V IP55 RUG 22KW Appr. for VFD: CE, CULUS, C-TICK Pressure sensor: N </p> <p data-bbox="201 1238 276 1272">Liquid:</p> <p data-bbox="201 1274 703 1384"> Pumped liquid: Water Liquid temperature range: -25 .. 120 °C Selected liquid temperature: 20 °C Density: 998.2 kg/m³ </p> <p data-bbox="201 1417 316 1451">Technical:</p> <p data-bbox="201 1453 820 1709"> Pump speed on which pump data are based: 1470 rpm Rated flow: 197.1 m³/h Rated head: 22.82 m Actual impeller diameter: 275 mm Nominal impeller diameter: 315 Shaft seal arrangement: Single Code for shaft seal: BQQE Curve tolerance: ISO9906:2012 3B Bearing design: Standard </p> <p data-bbox="201 1742 309 1776">Materials:</p> <p data-bbox="201 1778 730 1854"> Pump housing: Cast iron EN-GJL-250 ASTM class 35 </p> <p data-bbox="201 1865 632 1899">Wear ring: Brass</p> <p data-bbox="201 1901 730 1977"> Impeller: Cast iron EN-GJL-200 ASTM class 30 </p> <p data-bbox="201 1989 512 2022">Internal pump house coating: CED</p> <p data-bbox="201 2024 730 2101"> Shaft: Stainless steel EN 1.4301 AISI 304 </p>

Qty.	Description
1	<p>Installation:</p> <p>Range of ambient temperature: -10 .. 50 °C</p> <p>Maximum operating pressure: 16 bar</p> <p>Pipe connection standard: EN 1092-2</p> <p>Size of inlet connection: DN 150</p> <p>Size of outlet connection: DN 125</p> <p>Pressure rating for connection: PN 16</p> <p>Bearing lubrication: Grease</p> <p>Pump housing with feet: Yes</p> <p>Support block (Yes/No): Y</p> <p>Electrical data:</p> <p>IE Efficiency class: IE4</p> <p>Rated power - P2: 18.5 kW</p> <p>Mains frequency: 50 Hz</p> <p>Rated voltage: 3 x 380-420D/660-725Y V</p> <p>Rated current: 36,5-34,0/21,0-19,4 A</p> <p>Starting current: 820-820 %</p> <p>Cos phi - power factor: 0.81</p> <p>Rated speed: 1470 rpm</p> <p>Efficiency: IE4 94,2%</p> <p>Motor efficiency at full load: 94.2-94.2 %</p> <p>Motor efficiency at 3/4 load: 94.7-94.7 %</p> <p>Motor efficiency at 1/2 load: 94.6-94.6 %</p> <p>Number of poles: 4</p> <p>Enclosure class (IEC 34-5): IP55</p> <p>Insulation class (IEC 85): F</p> <p>Motor No: 92582379</p> <p>Bearing insulation type N-end: HYBRID BEARING</p> <p>Others:</p> <p>Minimum efficiency index, MEI ≥: 0.68</p> <p>Net weight: 409 kg</p> <p>Gross weight: 490 kg</p> <p>Shipping volume: 1.6 m³</p> <p>Country of origin: HU</p> <p>Custom tariff no.: 84137051</p>

99042637 NBE 125-315/275 AASF2AESBQQEPW3 50 Hz



Description	Value
General information:	
Product name:	NBE 125-315/275 AASF2AESBQQEPW3
Product No:	99042637
EAN number:	5712605643524
Technical:	
Pump speed on which pump data are based:	1470 rpm
Rated flow:	197.1 m ³ /h
Rated head:	22.82 m
Actual impeller diameter:	275 mm
Nominal impeller diameter:	315
Shaft seal arrangement:	Single
Shaft diameter:	42 mm
Code for shaft seal:	BQQE
Curve tolerance:	ISO9906:2012 3B
Pump version:	AS
Bearing design:	Standard
Materials:	
Pump housing:	Cast iron
Pump housing:	EN-GJL-250
Pump housing:	ASTM class 35
Wear ring:	Brass
Impeller:	Cast iron
Impeller:	EN-GJL-200
Impeller:	ASTM class 30
Internal pump house coating:	CED
Material code:	A
Code for rubber:	E
Shaft:	Stainless steel
Shaft:	EN 1.4301
Shaft:	AISI 304
Installation:	
Range of ambient temperature:	-10 .. 50 °C
Maximum operating pressure:	16 bar
Pipe connection standard:	EN 1092-2
Size of inlet connection:	DN 150
Size of outlet connection:	DN 125
Pressure rating for connection:	PN 16
Bearing lubrication:	Grease
Pump housing with feet:	Yes
Support block (Yes/No):	Y
Connect code:	F2
Liquid:	
Pumped liquid:	Water
Liquid temperature range:	-25 .. 120 °C
Selected liquid temperature:	20 °C
Density:	998.2 kg/m ³
Electrical data:	
IE Efficiency class:	IE4
Rated power - P2:	18.5 kW
Mains frequency:	50 Hz
Rated voltage:	3 x 380-420D/660-725Y V
Rated current:	36,5-34,0/21,0-19,4 A
Starting current:	820-820 %
Cos phi - power factor:	0.81
Rated speed:	1470 rpm
Efficiency:	IE4 94,2%
Motor efficiency at full load:	94.2-94.2 %





Company name: Pump Sales Direct

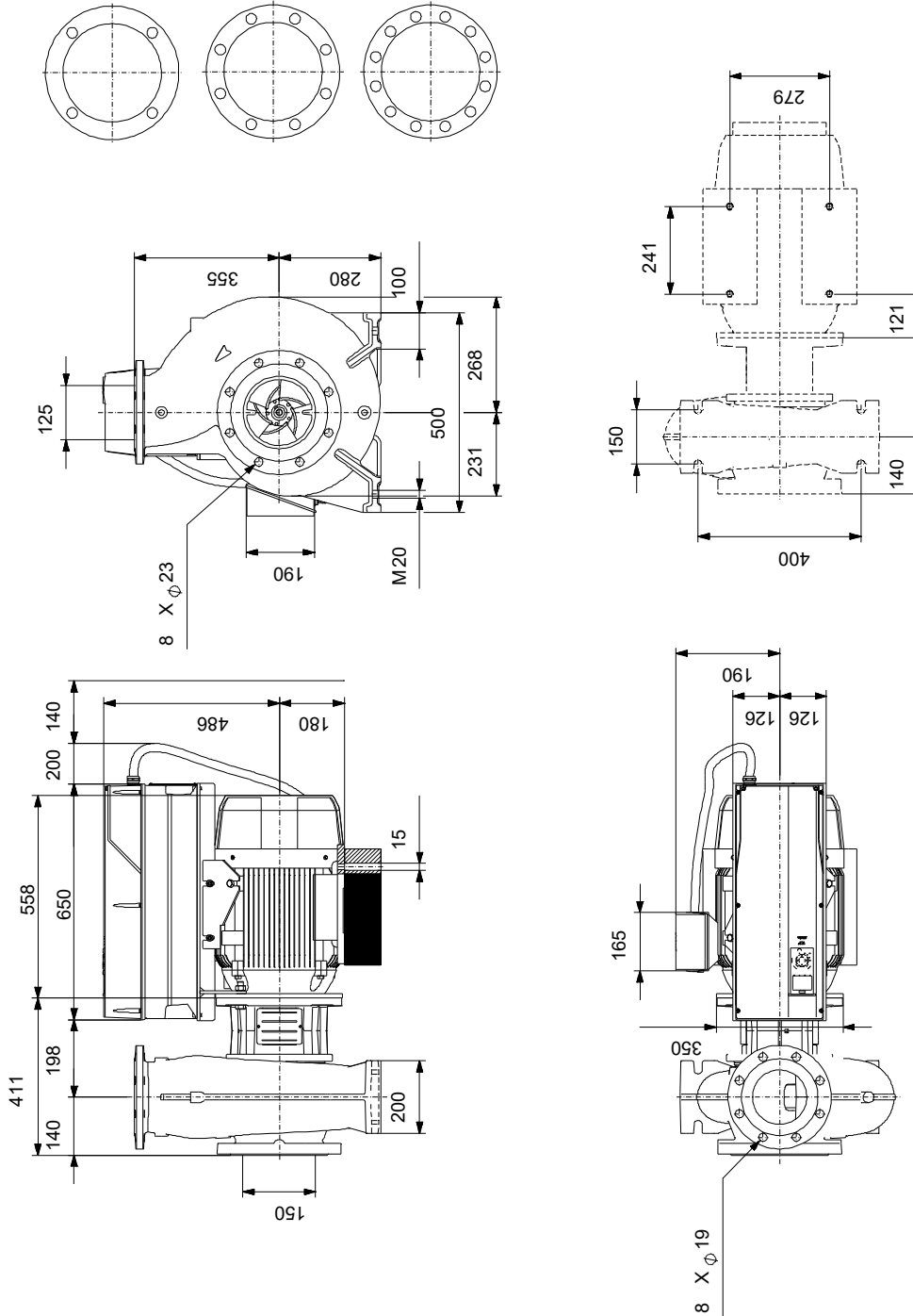
Created by:

Phone:

Date: 15/08/2022

Description	Value
Motor efficiency at 3/4 load:	94.7-94.7 %
Motor efficiency at 1/2 load:	94.6-94.6 %
Number of poles:	4
Enclosure class (IEC 34-5):	IP55
Insulation class (IEC 85):	F
Built-in motor protection:	PTC
Motor No:	92582379
Mount. design. acc. IEC 34-7:	IM B35
Bearing insulation type N-end:	HYBRID BEARING
Controls:	
VFD product number:	99616822
Frequency converter:	Built-in
Type of frequency converter:	CUE 3X380-500V IP55 RUG 22KW
Appr. for VFD:	CE, CULUS, C-TICK
Pressure sensor:	N
Others:	
Minimum efficiency index, MEI ≥:	0.68
Net weight:	409 kg
Gross weight:	490 kg
Shipping volume:	1.6 m ³
Country of origin:	HU
Custom tariff no.:	84137051

99042637 NBE 125-315/275 AASF2AESBQQEPW3 50 Hz



Note! All units are in [mm] unless others are stated.
Disclaimer: This simplified dimensional drawing does not show all details.

99042637 NBE 125-315/275 AASF2AESBQQEPW3 50 Hz



IEC TP211 THERMALLY PROTECTED WHEN THE THERMISTORS ARE
 CONNECTED TO AMPLIFIER RELAY FOR CONTROL OF MAIN SUPPLY
 THERMISTORS PTC ACCORDING TO DIN 44082

Note! All units are in [mm] unless others are stated.

