

Qty. Description1 **MTH 2-11/11 A-W-A-AQQV****Note! Product picture may differ from actual product**

Product No.: On request

Multistage, immersible, self-priming, centrifugal pump for vertical installation in tanks etc.

The pump has the following characteristics:

- Installation length according to DIN 5440.
- Impellers, intermediate chambers and spline shaft are made of Stainless steel.
- Mechanical shaft seal according to EN 12756.

The pump is close-coupled with a 3-phase motor.

Liquid:

Pumped liquid: Water
Liquid temperature range: -10 .. 90 °C
Selected liquid temperature: 20 °C
Density: 998.2 kg/m³

Technical:

Rated flow: 41.7 l/min
Rated head: 71.4 m
Chambers: 11
Code for shaft seal: AQQV
Curve tolerance: ISO9906:2012 3B

Materials:

Pump housing: Cast iron
EN 1561 EN-GJL-200
ASTM A48-25B
Impeller: Stainless steel
EN 1.4301
AISI 304

Installation:

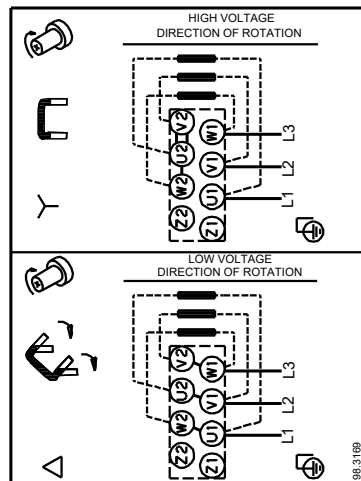
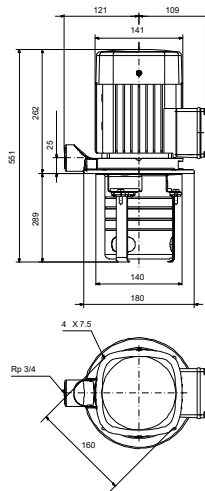
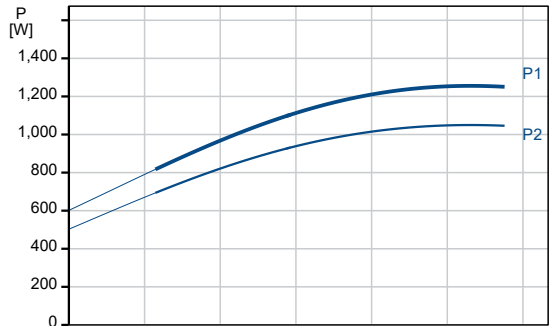
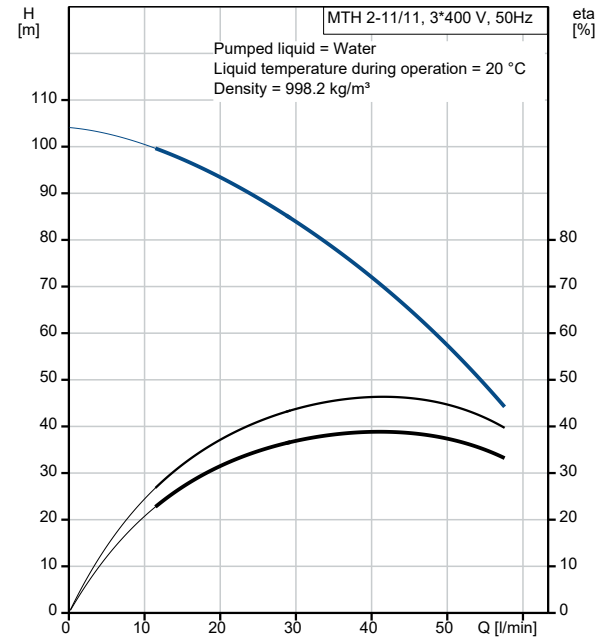
Max. ambient: 60 °C
Maximum operating pressure: 10 bar
Max pressure at stated temp: 10 bar / 90 °C
Type of connection: Rp
Size of outlet connection: 3/4 inch
Immersion depth: 289 mm

Electrical data:

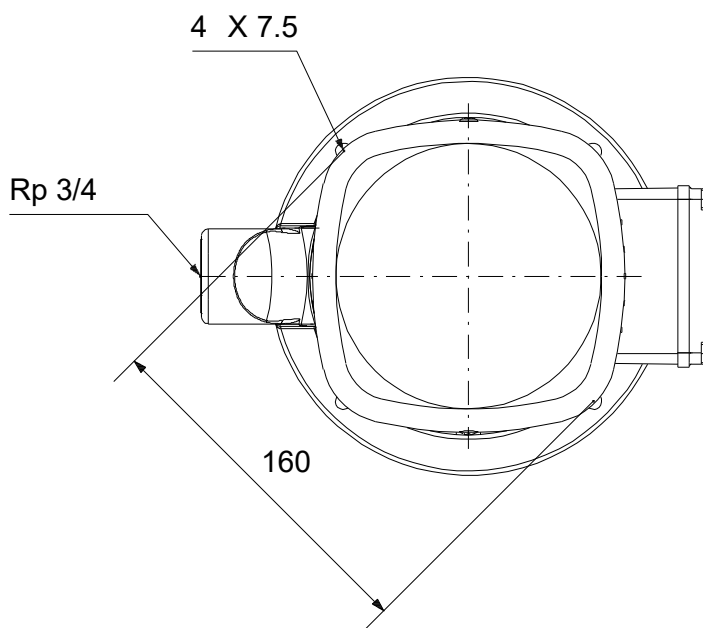
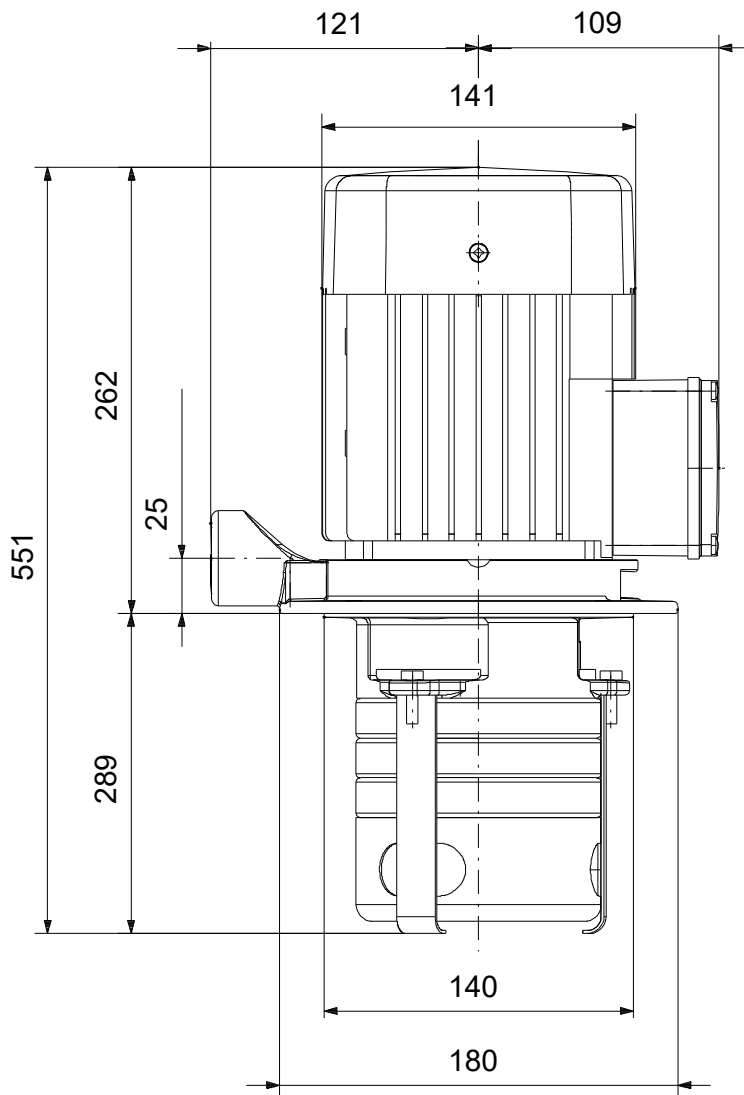
Motor standard: IEC
Frame size: 80C
Multi plug: N
IE efficiency class: IE3
Rated power - P2: 1.1 kW
Mains frequency: 50 Hz
Suitable for 50/60 Hz: N
Rated voltage: 3 x 220-240D/380-415Y V
Service factor: 1.30
Rated current: 4.35/2.55 A
Maximum current consumption: 5.75/3.3 A

Qty.	Description																												
1	<table> <tr> <td>Starting current:</td> <td>450-500 %</td> </tr> <tr> <td>Rated speed:</td> <td>2855 rpm</td> </tr> <tr> <td>Efficiency:</td> <td>82.7 %</td> </tr> <tr> <td>Enclosure class (IEC 34-5):</td> <td>IP54</td> </tr> <tr> <td>Insulation class (IEC 85):</td> <td>F</td> </tr> <tr> <td>Built-in motor protection:</td> <td>NONE</td> </tr> <tr> <td colspan="2">Others:</td> </tr> <tr> <td>Terminal box position:</td> <td>6</td> </tr> <tr> <td>Minimum efficiency index, MEI ≥:</td> <td>0.70</td> </tr> <tr> <td>Net weight:</td> <td>18 kg</td> </tr> <tr> <td>Gross weight:</td> <td>19.1 kg</td> </tr> <tr> <td>Danish VVS No.:</td> <td>386951011</td> </tr> <tr> <td>Country of origin:</td> <td>HU</td> </tr> <tr> <td>Custom tariff no.:</td> <td>84137075</td> </tr> </table>	Starting current:	450-500 %	Rated speed:	2855 rpm	Efficiency:	82.7 %	Enclosure class (IEC 34-5):	IP54	Insulation class (IEC 85):	F	Built-in motor protection:	NONE	Others:		Terminal box position:	6	Minimum efficiency index, MEI ≥:	0.70	Net weight:	18 kg	Gross weight:	19.1 kg	Danish VVS No.:	386951011	Country of origin:	HU	Custom tariff no.:	84137075
Starting current:	450-500 %																												
Rated speed:	2855 rpm																												
Efficiency:	82.7 %																												
Enclosure class (IEC 34-5):	IP54																												
Insulation class (IEC 85):	F																												
Built-in motor protection:	NONE																												
Others:																													
Terminal box position:	6																												
Minimum efficiency index, MEI ≥:	0.70																												
Net weight:	18 kg																												
Gross weight:	19.1 kg																												
Danish VVS No.:	386951011																												
Country of origin:	HU																												
Custom tariff no.:	84137075																												

Description	Value
General information:	
Product name:	MTH 2-11/11 A-W-A-AQQV
Product No:	On request
EAN number:	On request
Technical:	
Rated flow:	41.7 l/min
Rated head:	71.4 m
Chambers:	11
Impellers:	11
Number of reduced-diameter impellers:	0
Code for shaft seal:	AQQV
Curve tolerance:	ISO9906:2012 3B
Pump version:	A
Model:	A
Materials:	
Pump housing:	Cast iron
Pump housing:	EN 1561 EN-GJL-200
Pump housing:	ASTM A48-25B
Impeller:	Stainless steel
Impeller:	EN 1.4301
Impeller:	AISI 304
Material code:	A
Installation:	
Max. ambient:	60 °C
Maximum operating pressure:	10 bar
Max pressure at stated temp:	10 bar / 90 °C
Type of connection:	Rp
Size of outlet connection:	3/4 inch
Immersion depth:	289 mm
Connect code:	W
Liquid:	
Pumped liquid:	Water
Liquid temperature range:	-10 .. 90 °C
Selected liquid temperature:	20 °C
Density:	998.2 kg/m ³
Electrical data:	
Motor standard:	IEC
Frame size:	80C
Multi plug:	N
IE efficiency class:	IE3
Rated power - P2:	1.1 kW
Mains frequency:	50 Hz
Suitable for 50/60 Hz:	N
Rated voltage:	3 x 220-240D/380-415Y V
Service factor:	1.30
Rated current:	4.35/2.55 A
Maximum current consumption:	5.75/3.3 A
Starting current:	450-500 %
Rated speed:	2855 rpm
Efficiency:	82.7 %
Enclosure class (IEC 34-5):	IP54
Insulation class (IEC 85):	F
Built-in motor protection:	NONE
Others:	
Terminal box position:	6
Minimum efficiency index, MEI ≥:	0.70
Net weight:	18 kg
Gross weight:	19.1 kg
Danish VVS No.:	386951011
Country of origin:	HU
Custom tariff no.:	84137075



On request MTH 2-11/11 A-W-A-AQQV 50 Hz



Note! All units are in [mm] unless others are stated.
Disclaimer: This simplified dimensional drawing does not show all details.

Order Data:

Position	Your pos.	Product name	Amount	Product No	Total
		MTH 2-11/11	1	On request	Price on request