

Qty. Description

1 NK 50-125/125 AA2F2AESBQQEEW3



Note! Product picture may differ from actual product

Product No.: [98990816](#)

Non-self-priming, single-stage, centrifugal pump designed according to ISO 5199 with dimensions and rated performance according to EN 733. Flanges are PN 16 with dimensions according to EN 1092-2. The pump has an axial suction port, a radial discharge port and horizontal shaft. It is of the back pull-out design enabling removal of the coupling, bearing bracket and impeller without disturbing the motor, pump housing or pipework.

The unbalanced rubber bellows seal is according to DIN EN 12756.

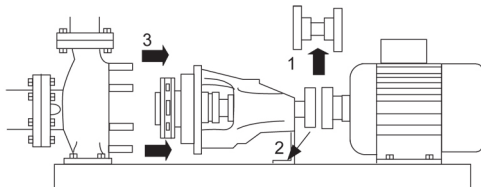
The pump is fitted with a foot-mounted, fan-cooled asynchronous motor. Pump and motor are mounted on a common base frame.

Pump and motor are mounted on a common steel base frame in accordance with ISO 3661.

The back pull-out design together with a spacer coupling makes it possible to service the pump without dismantling the pump housing and motor from the base frame.

This saves realignment of pump and motor after service.

- 1) Remove coupling.
- 2) Remove the bolts in the bearing bracket support foot.
- 3) Remove the bearing bracket from the pump housing.



Pump

The pump housing has both a priming and a drain hole closed by plugs. The impeller is a closed impeller with double-curved blades with smooth surfaces. The impeller is statically balanced according to ISO 1940-1 class G6.3 and hydraulically balanced to compensate for axial thrust.

Wear rings used in pump housing and for impeller are made of bronze/brass.

The pump is fitted with an unbalanced rubber bellows seal with torque transmission across the spring and around the bellows. Due to the bellows, the seal does not wear the shaft, and the axial movement is not prevented by deposits on the shaft.

{IMG Filename: GRALON_NB-NK-G_SHAFTSEAL_Bxxx.gif }

Seal faces:

- Rotating seal ring material: silicon carbide (SiC)
- Stationary seat material: silicon carbide (SiC)

This material pairing is used where higher corrosion resistance is required. The high hardness of this material pairing offers good resistance against abrasive particles.

Secondary seal material: EPDM (ethylene-propylene rubber)

EPDM has excellent resistance to hot water. EPDM is not suitable for mineral oils.

The shaft is made of stainless steel and has a diameter of 24 mm where the coupling is mounted.

The pump uses a spacer coupling between the pump and motor shaft.



Motor

The motor is a totally enclosed, fan-cooled motor with principal dimensions to IEC and DIN standards. Electrical tolerances comply with IEC 60034.

The motor efficiency is classified as IE3 in accordance with IEC 60034-30-1.

The motor does not incorporate motor protection and must be connected to a motor-protective circuit breaker which can be manually reset. The motor-protective circuit breaker must be set according to the rated current of the motor (I1/1).

Further product details

Cast-iron parts have an epoxy-based coating made in a cathodic electro-deposition (CED) process. CED is a high-quality dip-painting process where an electrical field around the products ensures deposition of paint particles as a thin, well-controlled layer on the surface.

Technical data

Controls:

Frequency converter: NONE

Pressure sensor: N

Liquid:

Pumped liquid: Water

Liquid temperature range: -25 .. 120 °C

Selected liquid temperature: 20 °C

Density: 998.2 kg/m³

Technical:

Pump speed on which pump data are based: 1440 rpm

Rated flow: 32.87 m³/h

Pump with motor (Yes/No): Y

Rated head: 4.044 m

Actual impeller diameter: 125 mm

Nominal impeller diameter: 125

Code for shaft seal: BQQE

Mechanical seal type: Single

Curve tolerance: ISO9906:2012 3B2

Bearing design: Standard

Materials:

Pump housing: Cast iron
EN-GJL-250
ASTM class 35

Wear ring: Brass

Impeller: Cast iron
EN-GJL-200
ASTM class 30

Internal pump house coating: CED

Shaft: Stainless steel
EN 1.4301

Qty.	Description
	AISI 304
	Installation:
	t max amb: 55 °C
	Maximum operating pressure: 16 bar
	Pipe connection standard: EN 1092-2
	Type of inlet connection: DIN
	Type of outlet connection: DIN
	Size of inlet connection: DN 65
	Size of outlet connection: DN 50
	Pressure rating for connection: PN 16
	Coupling type: Flexible w/spacer
	Base frame design: EN/ISO
	Code for base frame: 4
	Grouting (Yes/No): N
	Electrical data:
	Motor type: SIEMENS
	IE Efficiency class: IE3
	Rated power - P2: 0.55 kW
	Mains frequency: 50 Hz
	Rated voltage: 3 x 220-240D/380-420Y V
	Rated current: 2.2/1.26 A
	Starting current: 590-590 %
	Cos phi - power factor: 0.78
	Rated speed: 1440 rpm
	Efficiency: IE3 80,8%
	Motor efficiency at full load: 80.8-80.8 %
	Motor efficiency at 3/4 load: 81.1-81.1 %
	Motor efficiency at 1/2 load: 79.3-79.3 %
	Number of poles: 4
	Enclosure class (IEC 34-5): IP55
	Insulation class (IEC 85): F
	Motor No: 99901328
	Bearing insulation type N-end: N
	Others:
	Minimum efficiency index, MEI ≥: 0.60
	Net weight: 106 kg
	Gross weight: 120 kg
	Shipping volume: 0.279 m ³
	Country of origin: HU
	Custom tariff no.: 84137059



Company name:

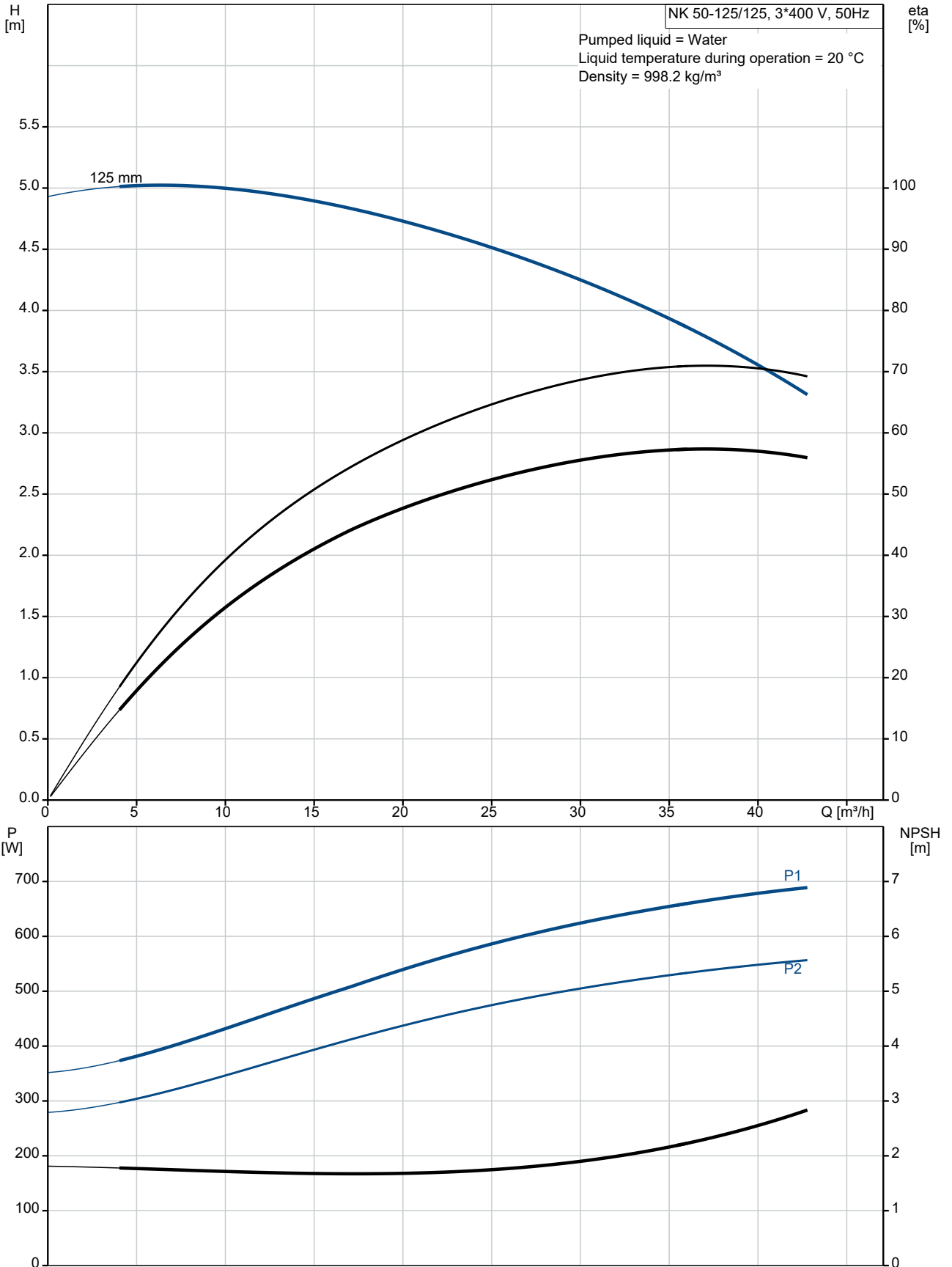
Created by:

Phone:

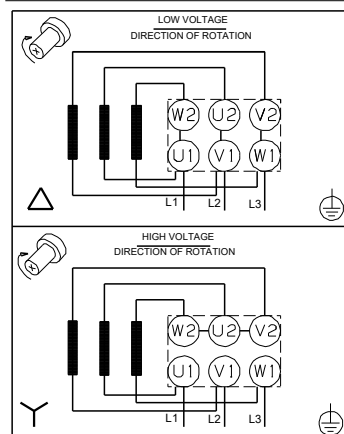
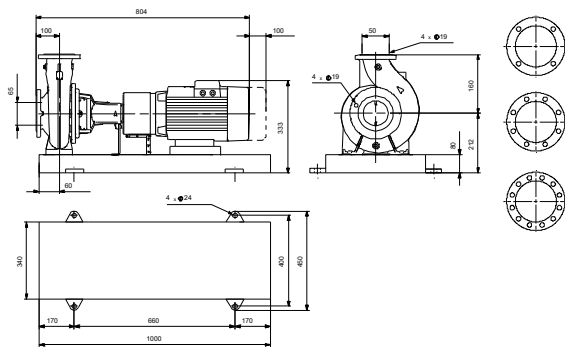
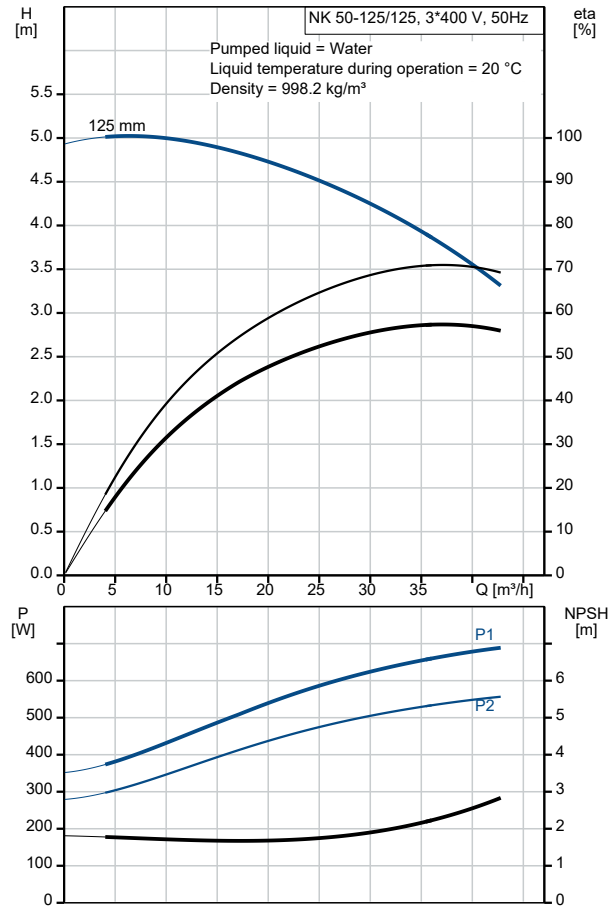
Date:

16/06/2022

98990816 NK 50-125/125 AA2F2AESBQQEEW3 50 Hz



Description	Value
General information:	
Product name:	NK 50-125/125 AA2F2AESBQQEEW3
Product No:	98990816
EAN number:	5712604803998
Technical:	
Pump speed on which pump data are based:	1440 rpm
Rated flow:	32.87 m ³ /h
Pump with motor (Yes/No):	Y
Rated head:	4.044 m
Actual impeller diameter:	125 mm
Nominal impeller diameter:	125
Shaft diameter:	24 mm
Code for shaft seal:	BQQE
Mechanical seal type:	Single
Curve tolerance:	ISO9906:2012 3B2
Pump version:	A2
Bearing design:	Standard
Materials:	
Pump housing:	Cast iron
Pump housing:	EN-GJL-250
Pump housing:	ASTM class 35
Wear ring:	Brass
Impeller:	Cast iron
Impeller:	EN-GJL-200
Impeller:	ASTM class 30
Internal pump house coating:	CED
Material code:	A
Code for rubber:	E
Shaft:	Stainless steel
Shaft:	EN 1.4301
Shaft:	AISI 304
Installation:	
t max amb:	55 °C
Maximum operating pressure:	16 bar
Pipe connection standard:	EN 1092-2
Type of inlet connection:	DIN
Type of outlet connection:	DIN
Size of inlet connection:	DN 65
Size of outlet connection:	DN 50
Pressure rating for connection:	PN 16
Coupling type:	Flexible w/spacer
Base frame design:	EN/ISO
Code for base frame:	4
Grouting (Yes/No):	N
Connect code:	F
Liquid:	
Pumped liquid:	Water
Liquid temperature range:	-25 .. 120 °C
Selected liquid temperature:	20 °C
Density:	998.2 kg/m ³
Electrical data:	
Motor type:	SIEMENS
IE Efficiency class:	IE3
Rated power - P2:	0.55 kW
Mains frequency:	50 Hz
Rated voltage:	3 x 220-240D/380-420Y V
Rated current:	2.2/1.26 A





Company name:

Created by:

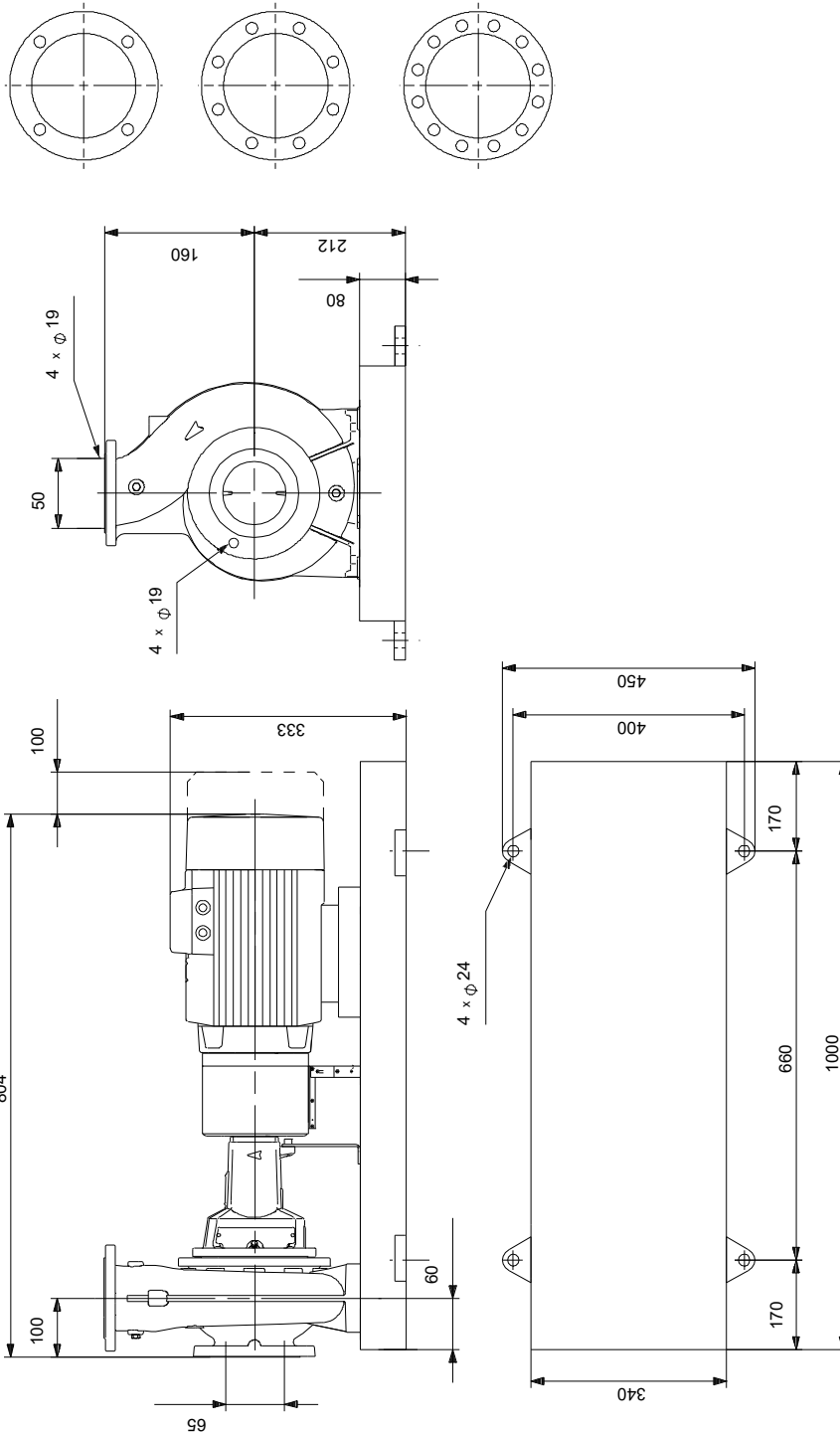
Phone:

Date:

16/06/2022

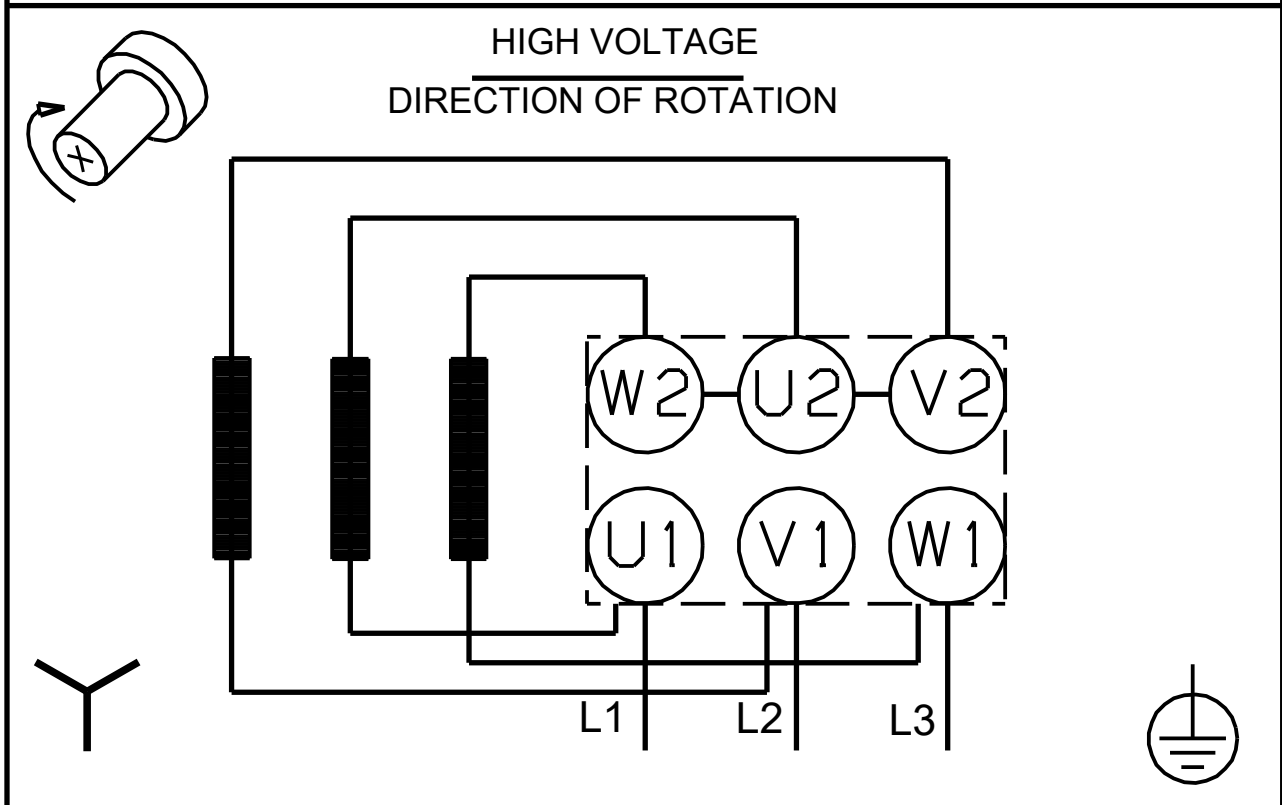
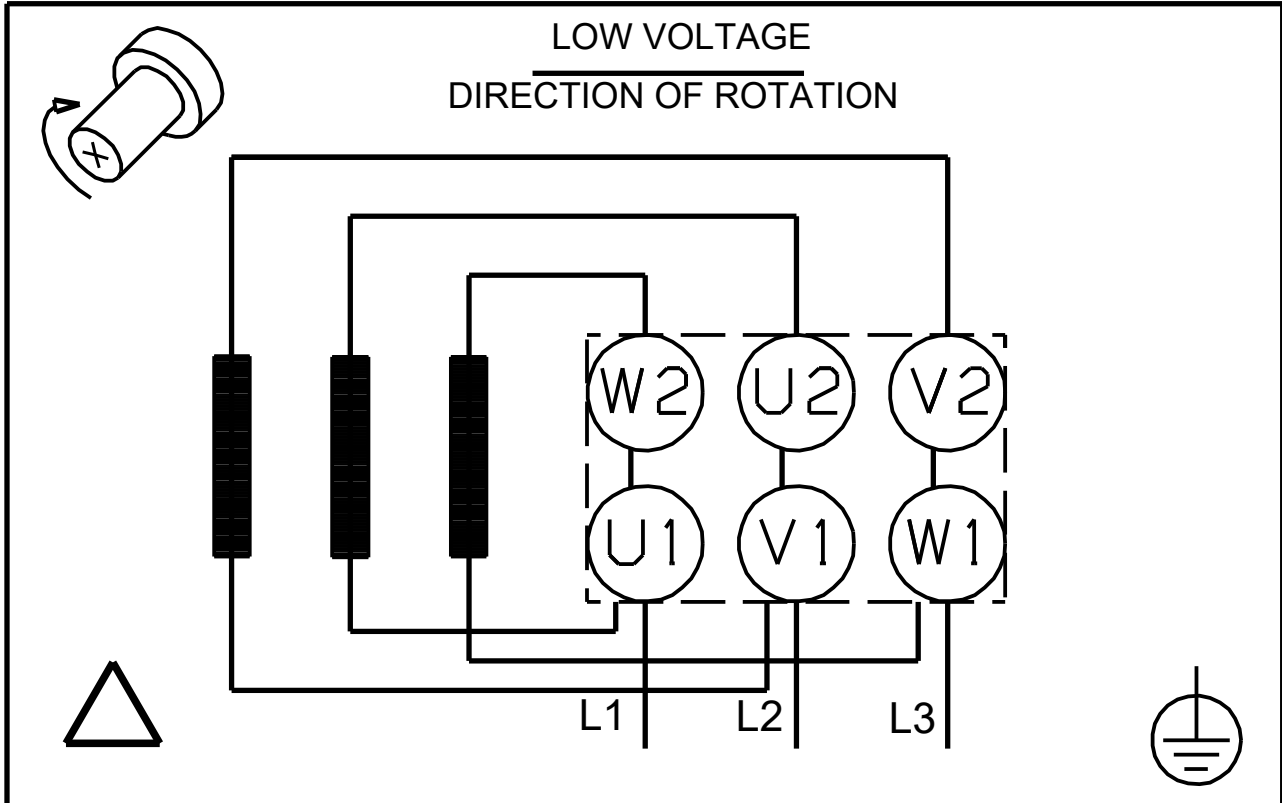
Description	Value
Starting current:	590-590 %
Cos phi - power factor:	0.78
Rated speed:	1440 rpm
Efficiency:	IE3 80,8%
Motor efficiency at full load:	80.8-80.8 %
Motor efficiency at 3/4 load:	81.1-81.1 %
Motor efficiency at 1/2 load:	79.3-79.3 %
Number of poles:	4
Enclosure class (IEC 34-5):	IP55
Insulation class (IEC 85):	F
Built-in motor protection:	NONE
Motor No:	99901328
Bearing insulation type N-end:	N
Controls:	
Frequency converter:	NONE
Pressure sensor:	N
Others:	
Minimum efficiency index, MEI ≥:	0.60
Net weight:	106 kg
Gross weight:	120 kg
Shipping volume:	0.279 m ³
Country of origin:	HU
Custom tariff no.:	84137059

98990816 NK 50-125/125 AA2F2AESBQQEEW3 50 Hz



Note! All units are in [mm] unless others are stated.
Disclaimer: This simplified dimensional drawing does not show all details.

98990816 NK 50-125/125 AA2F2AESBQQEEW3 50 Hz



Note! All units are in [mm] unless others are stated.



Company name:

Created by:

Phone:

Date:

16/06/2022

Order Data:

Product name: NK 50-125/125

Amount: 1

Product No: 98990816

Total: Price on request
