

Qty. Description

1 NB 40-200/177 AAF2AESBQQEFW3



Note! Product picture may differ from actual product

Product No.: [98979001](#)

Non-self-priming, single-stage, centrifugal volute pump designed according to ISO 5199 with dimensions and rated performance according to EN 733 (10 bar).

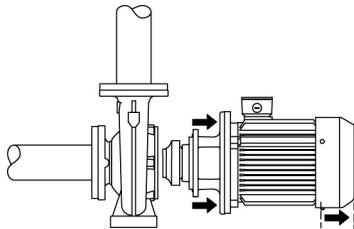
Flanges are PN 16 with dimensions according to EN 1092-2. The pump has an axial suction port, radial discharge port, horizontal shaft and a back pull-out design enabling removal of the motor, motor stool, cover and impeller without disturbing the pump housing or pipework.

The unbalanced rubber bellows seal is according to DIN EN 12756.

The pump is close-coupled to a fan-cooled asynchronous motor.

The product's minimum efficiency index (MEI) is greater or equal to 0.70. This is by the Commission Regulation (EU) considered as an indicative benchmark for best-performing water pump available on the market as from 1 January 2013.

The back pull-out design means that the pump can be serviced by a single person without disturbing the pump housing or pipes.



Cast-iron parts have an epoxy-based coating made in a cathodic electro-deposition (CED) process. CED is a high-quality dip-painting process where an electrical field around the products ensures deposition of paint particles as a thin, well-controlled layer on the surface.

## Pump

The pump housing has both a priming and a drain hole closed by plugs. The impeller is a closed impeller with double-curved blades with smooth surfaces. The impeller is statically balanced according to ISO 1940-1 class G6.3 and hydraulically balanced to compensate for axial thrust.

Wear rings used in pump housing and for impeller are made of bronze/brass.

Motor stool and pump cover are made of cast iron (EN-GJL-250). Coupling guards are fitted to the motor stool. The pump cover is provided with a manual air vent screw for venting of the pump housing and the shaft seal chamber.

The pump is fitted with an unbalanced rubber bellows seal with torque transmission across the spring and around the bellows. Due to the bellows, the seal does not wear the shaft, and the axial movement is not prevented by deposits on the shaft.

Seal faces:

- Rotating seal ring material: silicon carbide (SiC)
- Stationary seat material: silicon carbide (SiC)

This material pairing is used where higher corrosion resistance is required. The high hardness of this material pairing offers good resistance against abrasive particles.

Secondary seal material: EPDM (ethylene-propylene rubber)

EPDM has excellent resistance to hot water. EPDM is not suitable for mineral oils.

The pump housing has feet.

Qty.	Description
1	<p data-bbox="201 338 268 371"><b>Motor</b></p> <p data-bbox="201 376 1476 427">The motor is a totally enclosed, fan-cooled motor with principal dimensions to IEC and DIN standards. Electrical tolerances comply with IEC 60034.</p> <p data-bbox="201 432 1018 465">The motor efficiency is classified as IE3 in accordance with IEC 60034-30-1.</p> <p data-bbox="201 468 1476 539">The motor does not incorporate motor protection and must be connected to a motor-protective circuit breaker which can be manually reset. The motor-protective circuit breaker must be set according to the rated current of the motor (I1/1).</p> <p data-bbox="201 607 512 640"><b>Further product details</b></p> <p data-bbox="201 645 1476 719">Cast-iron parts have an epoxy-based coating made in a cathodic electro-deposition (CED) process. CED is a high-quality dip-painting process where an electrical field around the products ensures deposition of paint particles as a thin, well-controlled layer on the surface.</p> <p data-bbox="201 786 400 819"><b>Technical data</b></p> <p data-bbox="201 853 300 887">Controls:</p> <p data-bbox="201 889 639 922">Frequency converter: NONE</p> <p data-bbox="201 925 587 958">Pressure sensor: N</p> <p data-bbox="201 969 272 1003">Liquid:</p> <p data-bbox="201 1005 635 1039">Pumped liquid: Water</p> <p data-bbox="201 1041 703 1075">Liquid temperature range: -25 .. 120 °C</p> <p data-bbox="201 1077 635 1111">Selected liquid temperature: 20 °C</p> <p data-bbox="201 1113 699 1146">Density: 998.2 kg/m<sup>3</sup></p> <p data-bbox="201 1158 316 1191">Technical:</p> <p data-bbox="201 1193 820 1227">Pump speed on which pump data are based: 1450 rpm</p> <p data-bbox="201 1229 671 1263">Rated flow: 21.1 m<sup>3</sup>/h</p> <p data-bbox="201 1265 608 1299">Rated head: 8 m</p> <p data-bbox="201 1301 655 1335">Actual impeller diameter: 177 mm</p> <p data-bbox="201 1337 608 1370">Nominal impeller diameter: 200</p> <p data-bbox="201 1373 635 1406">Shaft seal arrangement: Single</p> <p data-bbox="201 1408 635 1442">Code for shaft seal: BQQE</p> <p data-bbox="201 1444 772 1478">Curve tolerance: ISO9906:2012 3B2</p> <p data-bbox="201 1480 667 1514">Bearing design: Standard</p> <p data-bbox="201 1525 316 1559">Materials:</p> <p data-bbox="201 1561 730 1594">Pump housing: Cast iron</p> <p data-bbox="564 1597 730 1630">EN-GJL-250</p> <p data-bbox="564 1632 730 1666">ASTM class 35</p> <p data-bbox="201 1668 635 1702">Wear ring: Brass</p> <p data-bbox="201 1704 730 1738">Impeller: Cast iron</p> <p data-bbox="564 1740 730 1774">EN-GJL-200</p> <p data-bbox="564 1776 730 1809">ASTM class 30</p> <p data-bbox="201 1812 619 1845">Internal pump house coating: CED</p> <p data-bbox="201 1848 730 1881">Shaft: Stainless steel</p> <p data-bbox="564 1883 683 1917">EN 1.4301</p> <p data-bbox="564 1919 667 1953">AISI 304</p> <p data-bbox="201 1964 331 1998">Installation:</p> <p data-bbox="201 2000 635 2033">t max amb: 55 °C</p> <p data-bbox="201 2036 639 2069">Maximum operating pressure: 16 bar</p> <p data-bbox="201 2072 687 2105">Pipe connection standard: EN 1092-2</p> <p data-bbox="201 2107 639 2141">Size of inlet connection: DN 65</p> <p data-bbox="201 2143 639 2177">Size of outlet connection: DN 40</p> <p data-bbox="201 2179 635 2213">Pressure rating for connection: PN 16</p> <p data-bbox="201 2215 651 2240">Bearing lubrication: Grease</p>

Qty.	Description
1	<p>Pump housing with feet: Yes</p> <p>Support block (Yes/No): N</p> <p>Electrical data:</p> <p>Motor type: SIEMENS</p> <p>IE Efficiency class: IE3</p> <p>Rated power - P2: 0.75 kW</p> <p>Mains frequency: 50 Hz</p> <p>Rated voltage: 3 x 220-240D/380-420Y V</p> <p>Rated current: 3.05/1.75 A</p> <p>Starting current: 710-710 %</p> <p>Cos phi - power factor: 0.75</p> <p>Rated speed: 1450 rpm</p> <p>Efficiency: IE3 82,5%</p> <p>Motor efficiency at full load: 82.5-82.5 %</p> <p>Motor efficiency at 3/4 load: 82.3-82.3 %</p> <p>Motor efficiency at 1/2 load: 79.3-79.3 %</p> <p>Number of poles: 4</p> <p>Enclosure class (IEC 34-5): IP55</p> <p>Insulation class (IEC 85): F</p> <p>Motor No: 83V02204</p> <p>Bearing insulation type N-end: N</p> <p>Others:</p> <p>Minimum efficiency index, MEI ≥: 0.70</p> <p>Net weight: 47 kg</p> <p>Gross weight: 64 kg</p> <p>Shipping volume: 0.315 m<sup>3</sup></p> <p>Danish VVS No.: 386061202</p> <p>Country of origin: HU</p> <p>Custom tariff no.: 84137051</p>



Company name: Pump Sales Direct

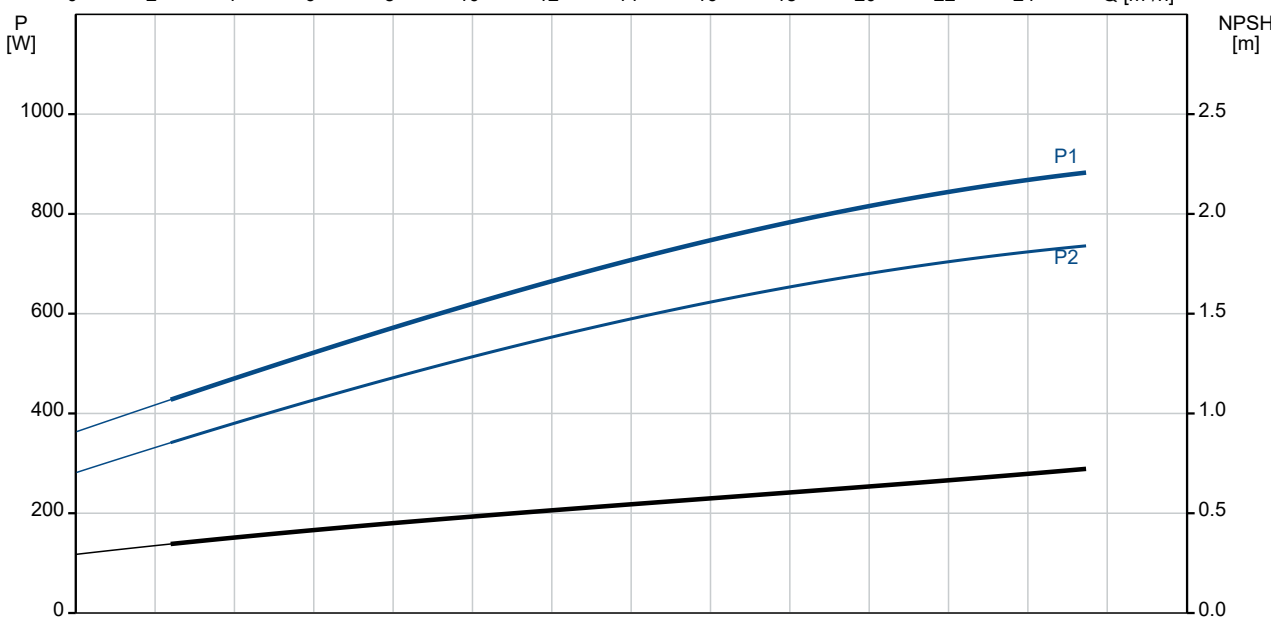
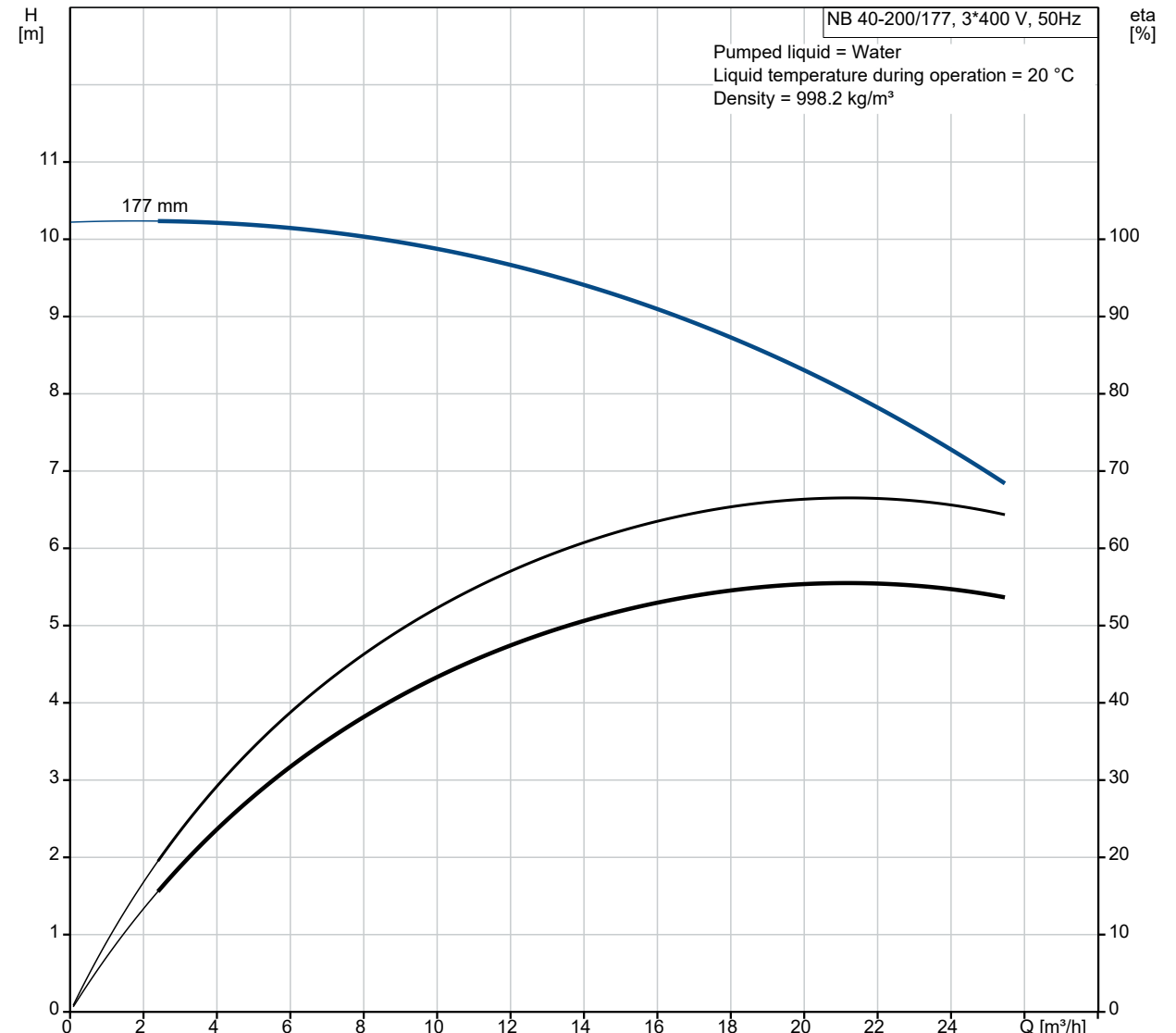
Created by:

Phone:

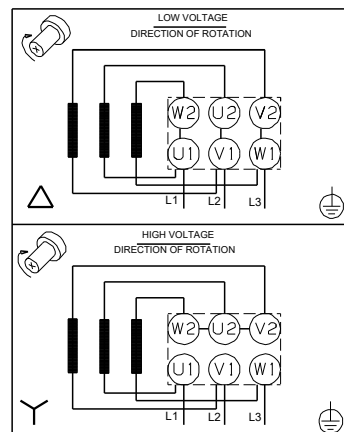
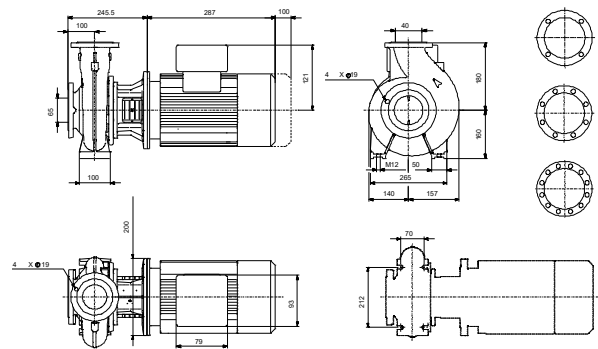
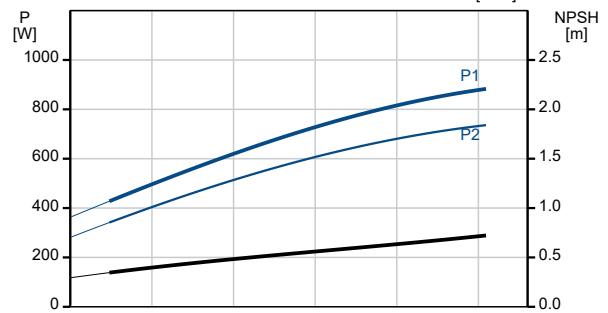
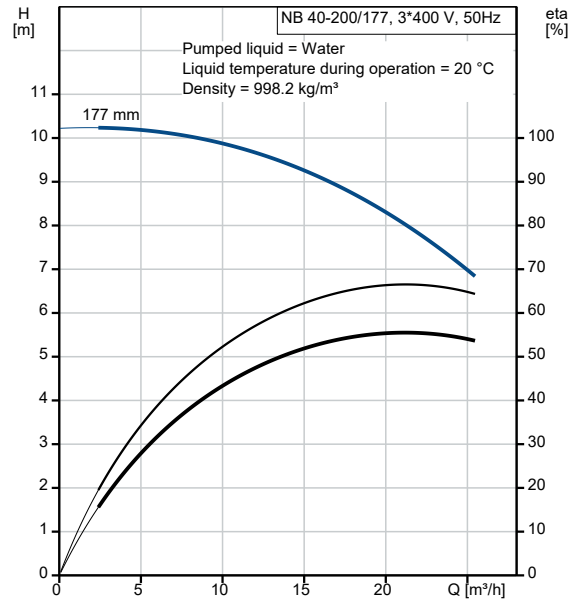
Date:

15/08/2022

### 98979001 NB 40-200/177 AAF2AESBQQEFW3 50 Hz



Description	Value
<b>General information:</b>	
Product name:	NB 40-200/177 AAF2AESBQQEFW3
Product No:	98979001
EAN number:	5712604604694
<b>Technical:</b>	
Pump speed on which pump data are based:	1450 rpm
Rated flow:	21.1 m <sup>3</sup> /h
Rated head:	8 m
Actual impeller diameter:	177 mm
Nominal impeller diameter:	200
Shaft seal arrangement:	Single
Shaft diameter:	24 mm
Code for shaft seal:	BQQE
Curve tolerance:	ISO9906:2012 3B2
Pump version:	A
Bearing design:	Standard
<b>Materials:</b>	
Pump housing:	Cast iron
Pump housing:	EN-GJL-250
Pump housing:	ASTM class 35
Wear ring:	Brass
Impeller:	Cast iron
Impeller:	EN-GJL-200
Impeller:	ASTM class 30
Internal pump house coating:	CED
Material code:	A
Code for rubber:	E
Shaft:	Stainless steel
Shaft:	EN 1.4301
Shaft:	AISI 304
<b>Installation:</b>	
t max amb:	55 °C
Maximum operating pressure:	16 bar
Pipe connection standard:	EN 1092-2
Size of inlet connection:	DN 65
Size of outlet connection:	DN 40
Pressure rating for connection:	PN 16
Bearing lubrication:	Grease
Pump housing with feet:	Yes
Support block (Yes/No):	N
Connect code:	F2
<b>Liquid:</b>	
Pumped liquid:	Water
Liquid temperature range:	-25 .. 120 °C
Selected liquid temperature:	20 °C
Density:	998.2 kg/m <sup>3</sup>
<b>Electrical data:</b>	
Motor type:	SIEMENS
IE Efficiency class:	IE3
Rated power - P2:	0.75 kW
Mains frequency:	50 Hz
Rated voltage:	3 x 220-240D/380-420Y V
Rated current:	3.05/1.75 A
Starting current:	710-710 %
Cos phi - power factor:	0.75
Rated speed:	1450 rpm
Efficiency:	IE3 82,5%





Company name: Pump Sales Direct

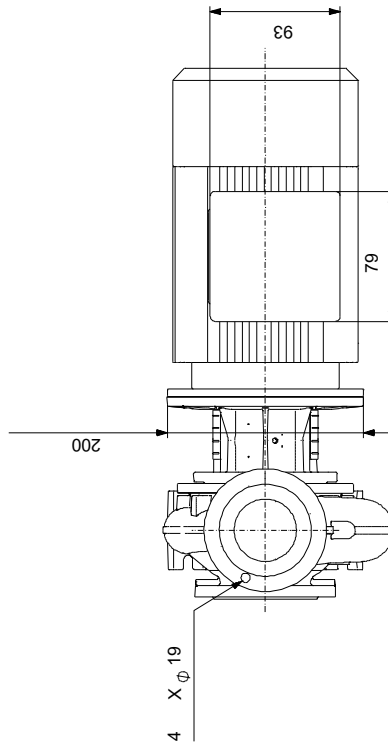
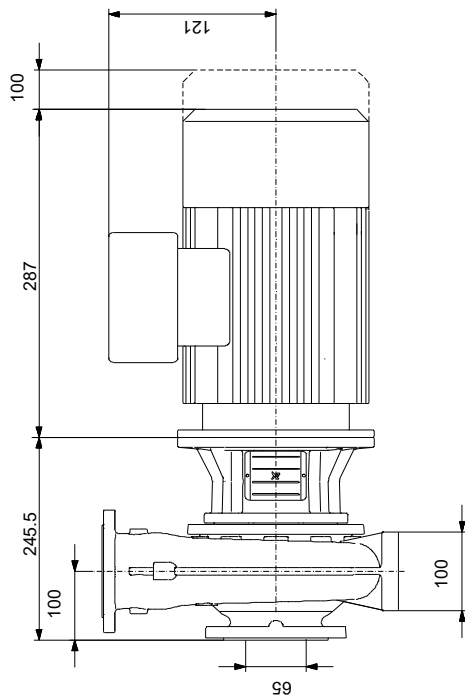
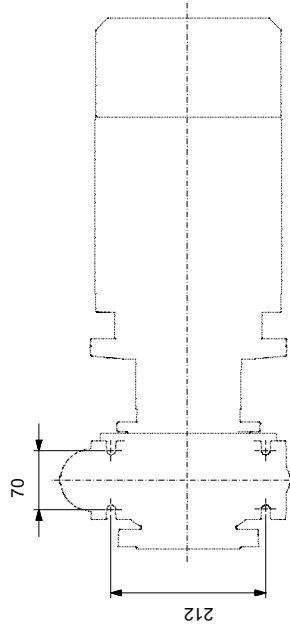
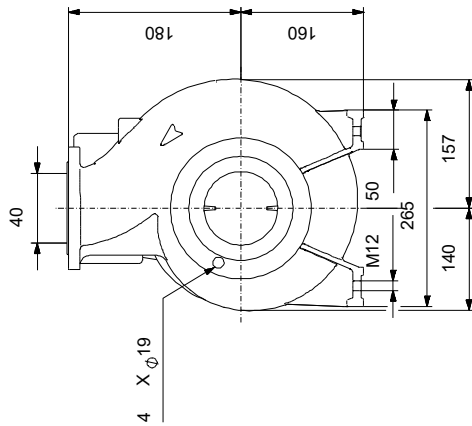
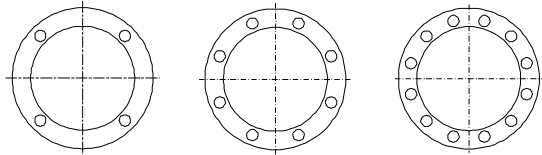
Created by:

Phone:

Date: 15/08/2022

Description	Value
Motor efficiency at full load:	82.5-82.5 %
Motor efficiency at 3/4 load:	82.3-82.3 %
Motor efficiency at 1/2 load:	79.3-79.3 %
Number of poles:	4
Enclosure class (IEC 34-5):	IP55
Insulation class (IEC 85):	F
Built-in motor protection:	NONE
Motor No:	83V02204
Mount. design. acc. IEC 34-7:	IM V1
Bearing insulation type N-end:	N
<b>Controls:</b>	
Frequency converter:	NONE
Pressure sensor:	N
<b>Others:</b>	
Minimum efficiency index, MEI $\geq$ :	0.70
Net weight:	47 kg
Gross weight:	64 kg
Shipping volume:	0.315 m <sup>3</sup>
Danish VVS No.:	386061202
Country of origin:	HU
Custom tariff no.:	84137051

## 98979001 NB 40-200/177 AAF2AESBQQEFW3 50 Hz



Note! All units are in [mm] unless others are stated.  
 Disclaimer: This simplified dimensional drawing does not show all details.

## 98979001 NB 40-200/177 AAF2AESBQQEFW3 50 Hz



Note! All units are in [mm] unless others are stated.





Company name: Pump Sales Direct

Created by:

Phone:

Date: 15/08/2022

**Order Data:**

Position	Your pos.	Product name	Amount	Product No	Total
		NB 40-200/177	1	98979001	Price on request