
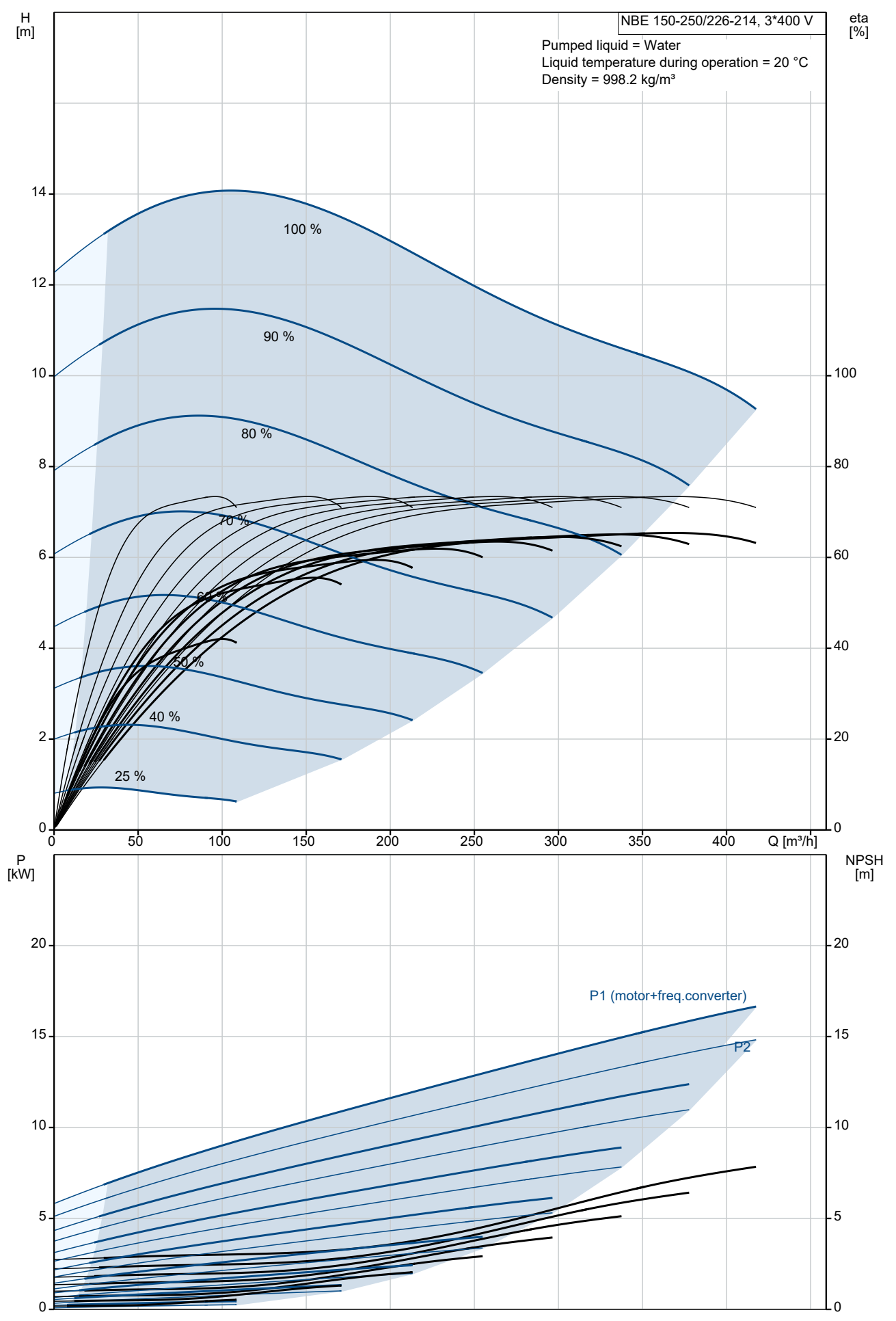


Qty.	Description																																																				
1	<p data-bbox="199 159 707 188"><b>NBE 150-250/226-214 BASF1AESBQQEOW3</b></p>  <p data-bbox="592 506 1062 528"><b>Note! Product picture may differ from actual product</b></p> <p data-bbox="199 537 464 562">Product No.: <a href="#">98976196</a></p> <p data-bbox="199 598 1426 649">Non-self-priming, single-stage, centrifugal volute pump designed according to ISO 5199 with dimensions and rated performance according to EN 733 (10 bar).</p> <p data-bbox="199 656 1417 730">Flanges are PN 10 with dimensions according to EN 1092-2. The pump has an axial suction port, radial discharge port, horizontal shaft and a back pull-out design enabling removal of the motor, motor stool, cover and impeller without disturbing the pump housing or pipework.</p> <p data-bbox="199 741 922 768">The unbalanced rubber bellows seal is according to DIN EN 12756.</p> <p data-bbox="199 772 890 797">The pump is close-coupled to a fan-cooled asynchronous motor.</p> <p data-bbox="199 801 1394 853">The motor includes a frequency converter and PI controller in the motor terminal box. This enables continuously variable control of the motor speed, which again enables adaptation of the performance to a given requirement.</p> <p data-bbox="199 889 300 913"><b>Controls:</b></p> <table data-bbox="199 918 639 974"> <tr> <td>Frequency converter:</td> <td>Built-in</td> </tr> <tr> <td>Pressure sensor:</td> <td>N</td> </tr> </table> <p data-bbox="199 1008 274 1032"><b>Liquid:</b></p> <table data-bbox="199 1037 702 1155"> <tr> <td>Pumped liquid:</td> <td>Water</td> </tr> <tr> <td>Liquid temperature range:</td> <td>-25 .. 120 °C</td> </tr> <tr> <td>Selected liquid temperature:</td> <td>20 °C</td> </tr> <tr> <td>Density:</td> <td>998.2 kg/m<sup>3</sup></td> </tr> </table> <p data-bbox="199 1187 312 1211"><b>Technical:</b></p> <table data-bbox="199 1216 818 1480"> <tr> <td>Pump speed on which pump data are based:</td> <td>1460 rpm</td> </tr> <tr> <td>Rated flow:</td> <td>372.6 m<sup>3</sup>/h</td> </tr> <tr> <td>Rated head:</td> <td>10.04 m</td> </tr> <tr> <td>Actual impeller diameter:</td> <td>220 mm</td> </tr> <tr> <td>Nominal impeller diameter:</td> <td>250</td> </tr> <tr> <td>Shaft seal arrangement:</td> <td>Single</td> </tr> <tr> <td>Code for shaft seal:</td> <td>BQQE</td> </tr> <tr> <td>Curve tolerance:</td> <td>ISO9906:2012 3B</td> </tr> <tr> <td>Bearing design:</td> <td>Standard</td> </tr> </table> <p data-bbox="199 1514 308 1538"><b>Materials:</b></p> <table data-bbox="199 1543 730 1865"> <tr> <td>Pump housing:</td> <td>Cast iron EN-GJL-250 ASTM class 35</td> </tr> <tr> <td>Wear ring:</td> <td>Brass</td> </tr> <tr> <td>Impeller:</td> <td>Cast iron EN-GJL-200 ASTM class 30</td> </tr> <tr> <td>Internal pump house coating:</td> <td>CED</td> </tr> <tr> <td>Shaft:</td> <td>Stainless steel EN 1.4301 AISI 304</td> </tr> </table> <p data-bbox="199 1899 325 1924"><b>Installation:</b></p> <table data-bbox="199 1928 691 2103"> <tr> <td>Range of ambient temperature:</td> <td>-20 .. 40 °C</td> </tr> <tr> <td>Maximum operating pressure:</td> <td>10 bar</td> </tr> <tr> <td>Pipe connection standard:</td> <td>EN 1092-2</td> </tr> <tr> <td>Size of inlet connection:</td> <td>DN 200</td> </tr> <tr> <td>Size of outlet connection:</td> <td>DN 150</td> </tr> <tr> <td>Pressure rating for connection:</td> <td>PN 10</td> </tr> </table>	Frequency converter:	Built-in	Pressure sensor:	N	Pumped liquid:	Water	Liquid temperature range:	-25 .. 120 °C	Selected liquid temperature:	20 °C	Density:	998.2 kg/m <sup>3</sup>	Pump speed on which pump data are based:	1460 rpm	Rated flow:	372.6 m <sup>3</sup> /h	Rated head:	10.04 m	Actual impeller diameter:	220 mm	Nominal impeller diameter:	250	Shaft seal arrangement:	Single	Code for shaft seal:	BQQE	Curve tolerance:	ISO9906:2012 3B	Bearing design:	Standard	Pump housing:	Cast iron EN-GJL-250 ASTM class 35	Wear ring:	Brass	Impeller:	Cast iron EN-GJL-200 ASTM class 30	Internal pump house coating:	CED	Shaft:	Stainless steel EN 1.4301 AISI 304	Range of ambient temperature:	-20 .. 40 °C	Maximum operating pressure:	10 bar	Pipe connection standard:	EN 1092-2	Size of inlet connection:	DN 200	Size of outlet connection:	DN 150	Pressure rating for connection:	PN 10
Frequency converter:	Built-in																																																				
Pressure sensor:	N																																																				
Pumped liquid:	Water																																																				
Liquid temperature range:	-25 .. 120 °C																																																				
Selected liquid temperature:	20 °C																																																				
Density:	998.2 kg/m <sup>3</sup>																																																				
Pump speed on which pump data are based:	1460 rpm																																																				
Rated flow:	372.6 m <sup>3</sup> /h																																																				
Rated head:	10.04 m																																																				
Actual impeller diameter:	220 mm																																																				
Nominal impeller diameter:	250																																																				
Shaft seal arrangement:	Single																																																				
Code for shaft seal:	BQQE																																																				
Curve tolerance:	ISO9906:2012 3B																																																				
Bearing design:	Standard																																																				
Pump housing:	Cast iron EN-GJL-250 ASTM class 35																																																				
Wear ring:	Brass																																																				
Impeller:	Cast iron EN-GJL-200 ASTM class 30																																																				
Internal pump house coating:	CED																																																				
Shaft:	Stainless steel EN 1.4301 AISI 304																																																				
Range of ambient temperature:	-20 .. 40 °C																																																				
Maximum operating pressure:	10 bar																																																				
Pipe connection standard:	EN 1092-2																																																				
Size of inlet connection:	DN 200																																																				
Size of outlet connection:	DN 150																																																				
Pressure rating for connection:	PN 10																																																				

Qty.	Description																																																		
1	<table border="0"> <tr> <td>Bearing lubrication:</td> <td>Grease</td> </tr> <tr> <td>Pump housing with feet:</td> <td>Yes</td> </tr> <tr> <td>Support block (Yes/No):</td> <td>Y</td> </tr> <tr> <td colspan="2">Electrical data:</td> </tr> <tr> <td>IE Efficiency class:</td> <td>IE3</td> </tr> <tr> <td>Rated power - P2:</td> <td>15 kW</td> </tr> <tr> <td>Mains frequency:</td> <td>50 Hz</td> </tr> <tr> <td>Rated voltage:</td> <td>3 x 380-480 V</td> </tr> <tr> <td>Rated current:</td> <td>29.0-25.4 A</td> </tr> <tr> <td>Cos phi - power factor:</td> <td>0.86-0.85</td> </tr> <tr> <td>Rated speed:</td> <td>240-1750 rpm</td> </tr> <tr> <td>Efficiency:</td> <td>IE3 92,1%</td> </tr> <tr> <td>Motor efficiency at full load:</td> <td>92.1 %</td> </tr> <tr> <td>Number of poles:</td> <td>4</td> </tr> <tr> <td>Enclosure class (IEC 34-5):</td> <td>IP55</td> </tr> <tr> <td>Insulation class (IEC 85):</td> <td>F</td> </tr> <tr> <td>Motor No:</td> <td>86906101</td> </tr> <tr> <td colspan="2">Others:</td> </tr> <tr> <td>Minimum efficiency index, MEI ≥:</td> <td>0.68</td> </tr> <tr> <td>Net weight:</td> <td>362 kg</td> </tr> <tr> <td>Gross weight:</td> <td>394 kg</td> </tr> <tr> <td>Shipping volume:</td> <td>0.951 m<sup>3</sup></td> </tr> <tr> <td>Danish VVS No.:</td> <td>386107251</td> </tr> <tr> <td>Country of origin:</td> <td>HU</td> </tr> <tr> <td>Custom tariff no.:</td> <td>84137051</td> </tr> </table>	Bearing lubrication:	Grease	Pump housing with feet:	Yes	Support block (Yes/No):	Y	Electrical data:		IE Efficiency class:	IE3	Rated power - P2:	15 kW	Mains frequency:	50 Hz	Rated voltage:	3 x 380-480 V	Rated current:	29.0-25.4 A	Cos phi - power factor:	0.86-0.85	Rated speed:	240-1750 rpm	Efficiency:	IE3 92,1%	Motor efficiency at full load:	92.1 %	Number of poles:	4	Enclosure class (IEC 34-5):	IP55	Insulation class (IEC 85):	F	Motor No:	86906101	Others:		Minimum efficiency index, MEI ≥:	0.68	Net weight:	362 kg	Gross weight:	394 kg	Shipping volume:	0.951 m <sup>3</sup>	Danish VVS No.:	386107251	Country of origin:	HU	Custom tariff no.:	84137051
Bearing lubrication:	Grease																																																		
Pump housing with feet:	Yes																																																		
Support block (Yes/No):	Y																																																		
Electrical data:																																																			
IE Efficiency class:	IE3																																																		
Rated power - P2:	15 kW																																																		
Mains frequency:	50 Hz																																																		
Rated voltage:	3 x 380-480 V																																																		
Rated current:	29.0-25.4 A																																																		
Cos phi - power factor:	0.86-0.85																																																		
Rated speed:	240-1750 rpm																																																		
Efficiency:	IE3 92,1%																																																		
Motor efficiency at full load:	92.1 %																																																		
Number of poles:	4																																																		
Enclosure class (IEC 34-5):	IP55																																																		
Insulation class (IEC 85):	F																																																		
Motor No:	86906101																																																		
Others:																																																			
Minimum efficiency index, MEI ≥:	0.68																																																		
Net weight:	362 kg																																																		
Gross weight:	394 kg																																																		
Shipping volume:	0.951 m <sup>3</sup>																																																		
Danish VVS No.:	386107251																																																		
Country of origin:	HU																																																		
Custom tariff no.:	84137051																																																		

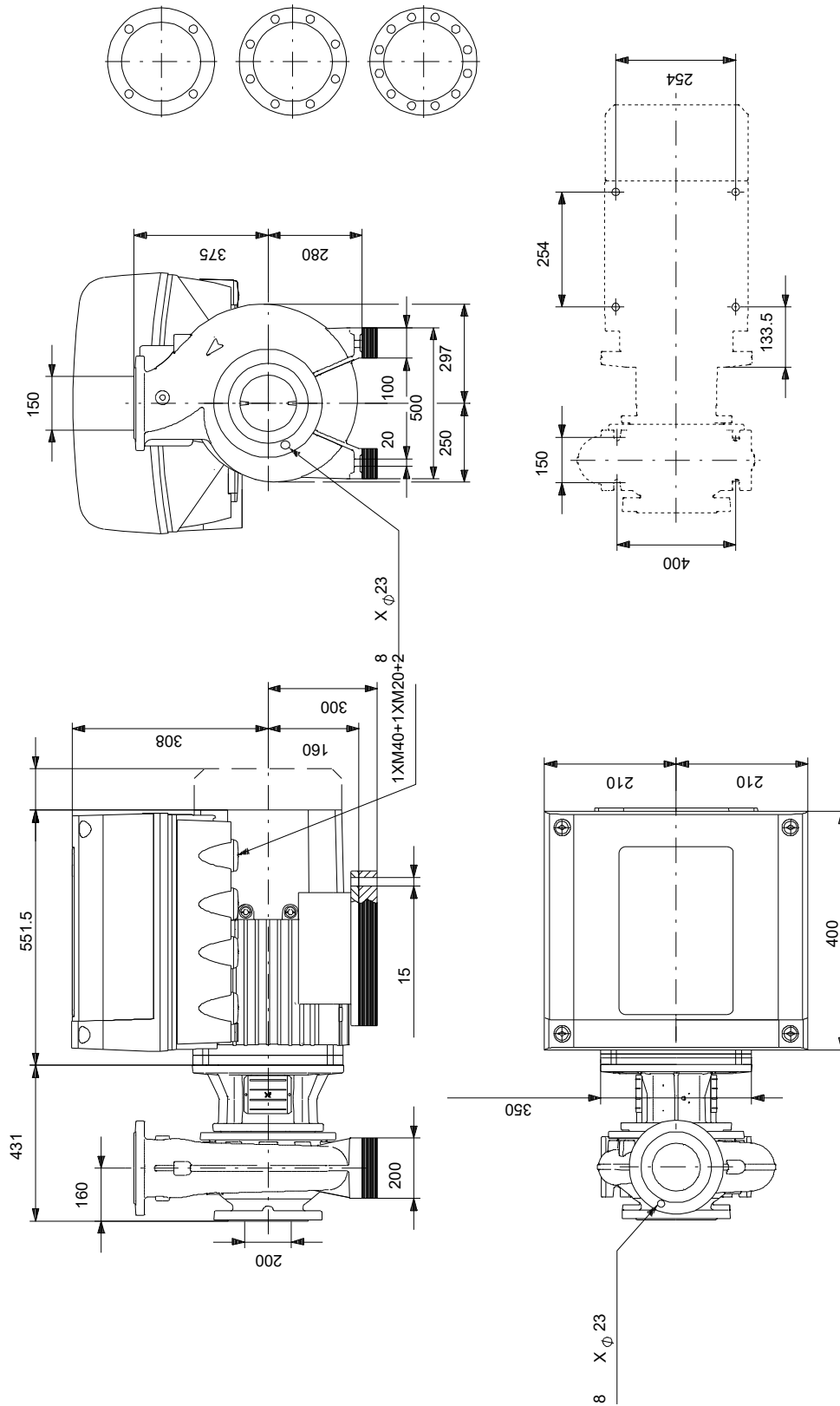
# 98976196 NBE 150-250/226-214 BASF1AESBQQEOW3 50 Hz





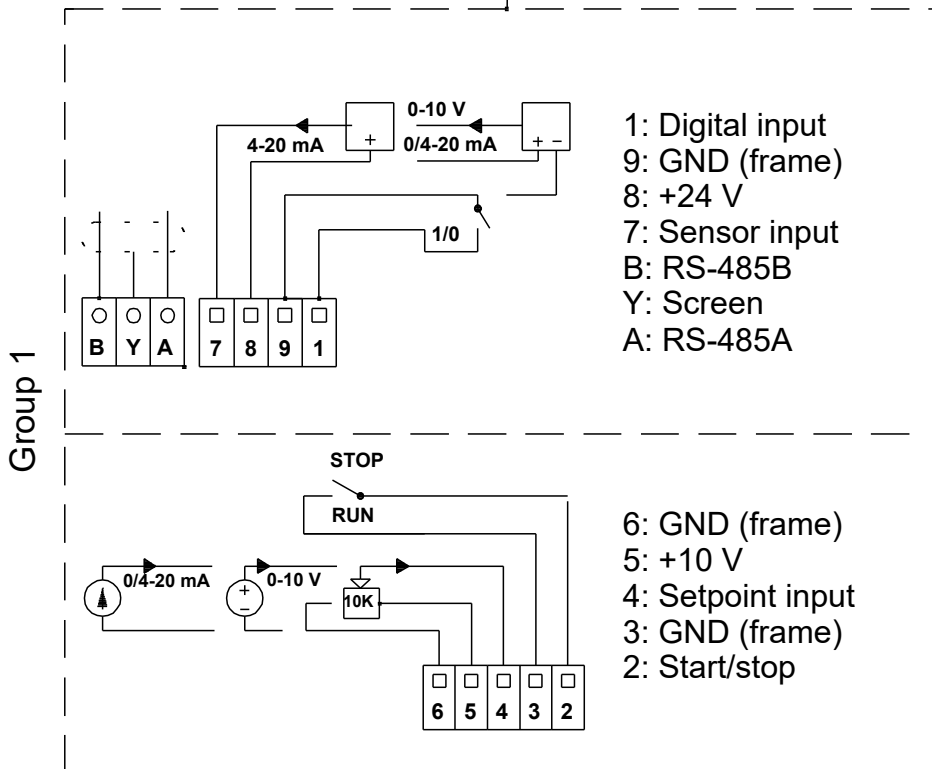
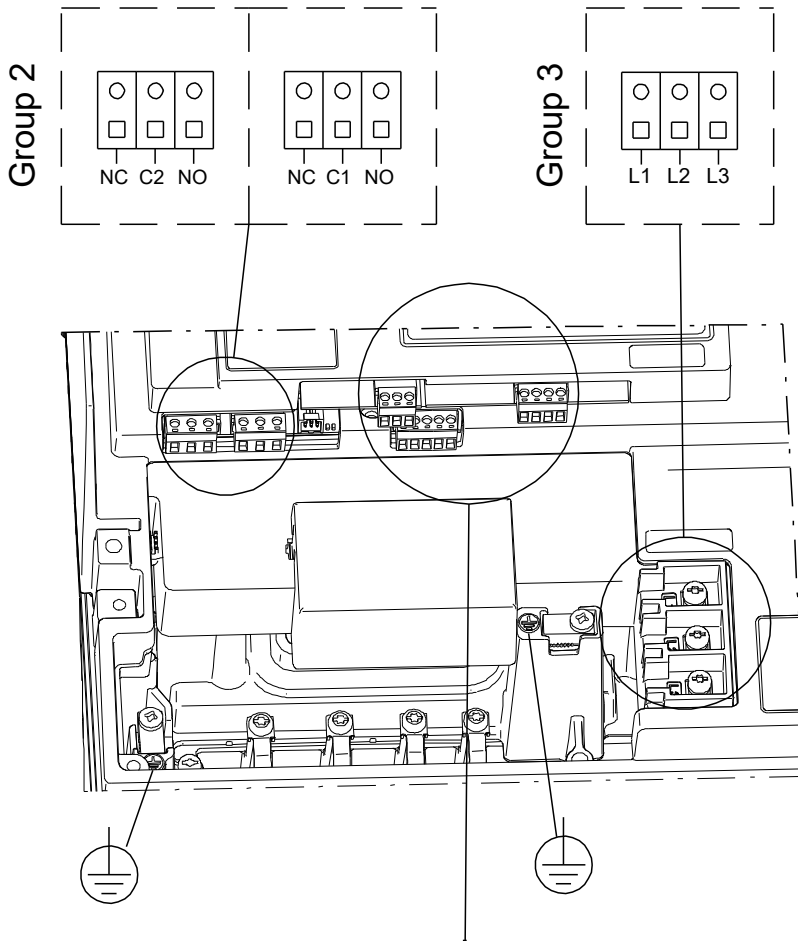
Description	Value
<b>Controls:</b>	
Control panel:	Standard
Function Module:	PUMP I/O
Frequency converter:	Built-in
Pressure sensor:	N
<b>Others:</b>	
Minimum efficiency index, MEI ≥:	0.68
Net weight:	362 kg
Gross weight:	394 kg
Shipping volume:	0.951 m <sup>3</sup>
Danish VVS No.:	386107251
Country of origin:	HU
Custom tariff no.:	84137051

# 98976196 NBE 150-250/226-214 BASF1AESBQQEOW3 50 Hz



Note! All units are in [mm] unless others are stated.  
 Disclaimer: This simplified dimensional drawing does not show all details.

# 98976196 NBE 150-250/226-214 BASF1AESBQQEOW3 50 Hz



Note! All units are in [mm] unless others are stated.

