

Qty. Description1 **NBE 80-315/280 AASF2AESBQQENW3**

Note! Product picture may differ from actual product

Product No.: [98976087](#)

Non-self-priming, single-stage, centrifugal volute pump designed according to ISO 5199 with dimensions and rated performance according to EN 733 (10 bar).

Flanges are PN 16 with dimensions according to EN 1092-2. The pump has an axial suction port, radial discharge port, horizontal shaft and a back pull-out design enabling removal of the motor, motor stool, cover and impeller without disturbing the pump housing or pipework.

The unbalanced rubber bellows seal is according to DIN EN 12756.

The pump is close-coupled to a fan-cooled asynchronous motor.

The motor includes a frequency converter and PI controller in the motor terminal box. This enables continuously variable control of the motor speed, which again enables adaptation of the performance to a given requirement.

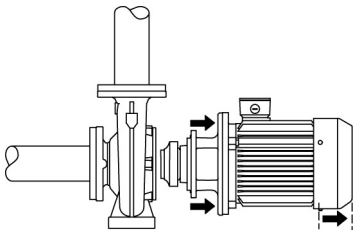
The product's minimum efficiency index (MEI) is greater or equal to 0.70. This is by the Commission Regulation (EU) considered as an indicative benchmark for best-performing water pump available on the market as from 1 January 2013.

An external sensor can be connected if controlled pump operation is required for flow, differential pressure or temperature control.

An operating panel on the motor terminal box enables setting of required setpoint as well as setting of pump to "Min." or "Max." operation or to "Stop". The operating panel has indicator lights for "Operation" and "Fault".

Communication with the pump is possible by means of Grundfos GO Remote (accessory). The remote control enables further settings as well as reading out of a number of parameters such as "Actual value", "Speed", "Power input" and total "Power consumption".

The back pull-out design means that the pump can be serviced by a single person without disturbing the pump housing or pipes.



Cast-iron parts have an epoxy-based coating made in a cathodic electro-deposition (CED) process. CED is a high-quality dip-painting process where an electrical field around the products ensures deposition of paint particles as a thin, well-controlled layer on the surface.

Pump

Motor stool and pump cover are made of cast iron (EN-GJL-250). Coupling guards are fitted to the motor stool.

The pump is fitted with an unbalanced rubber bellows seal with torque transmission across the spring and around the bellows. Due to the bellows, the seal does not wear the shaft, and the axial movement is not prevented by deposits on the shaft.

Seal faces:

- Rotating seal ring material: silicon carbide (SiC)
- Stationary seat material: silicon carbide (SiC)

This material pairing is used where higher corrosion resistance is required. The high hardness of this material pairing offers good resistance against abrasive particles.

Secondary seal material: EPDM (ethylene-propylene rubber)

EPDM has excellent resistance to hot water. EPDM is not suitable for mineral oils.

The pump housing has feet.

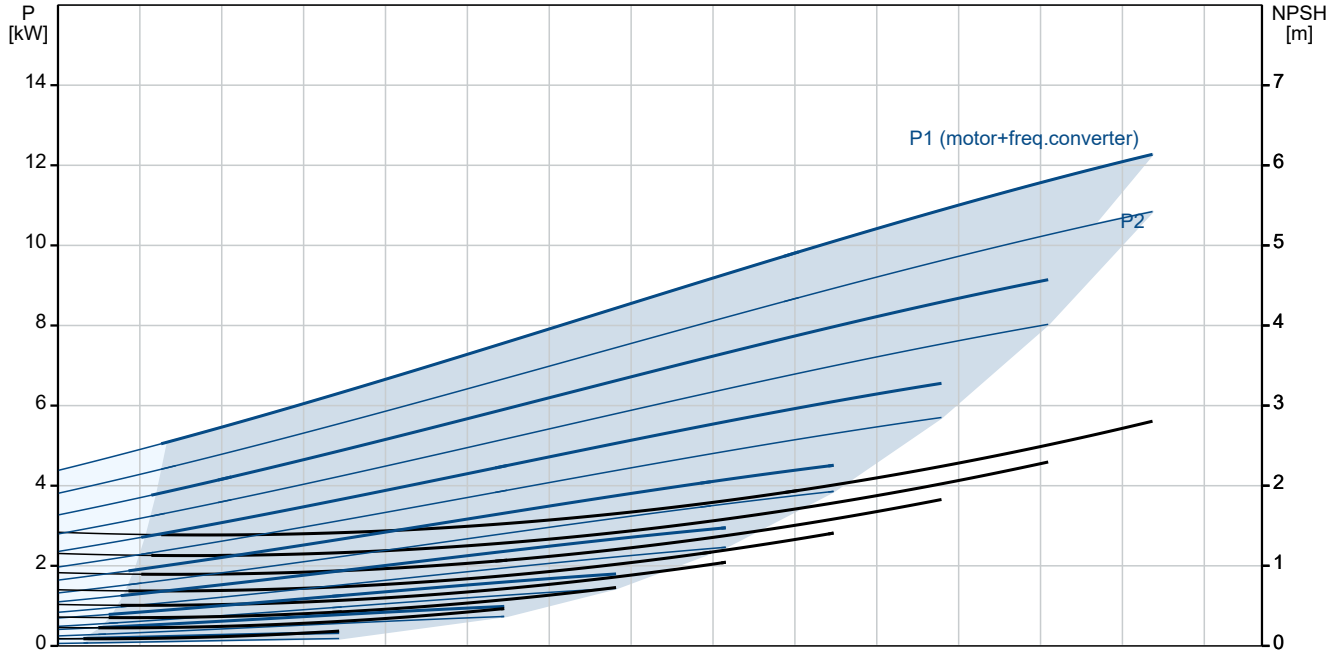
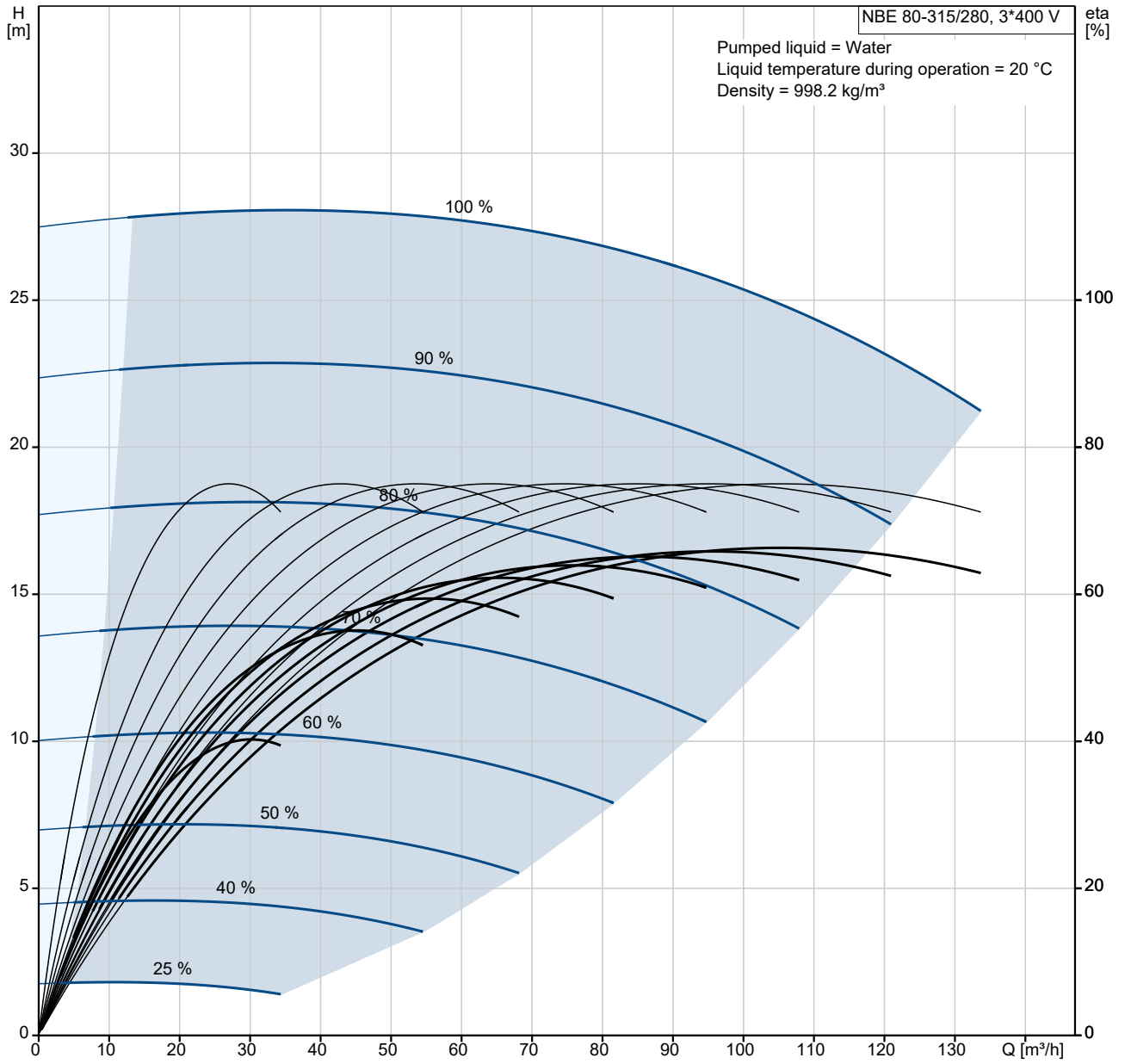
The pump is to be secured to the foundation with bolts through the pump housing feet and motor feet. The pump is delivered with steel support blocks. The support blocks provide horizontal alignment of the pump and ensure clearance between the motor stool/motor flange and the foundation.

Motor

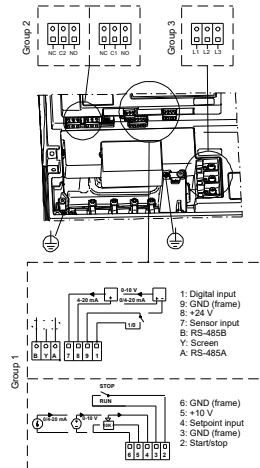
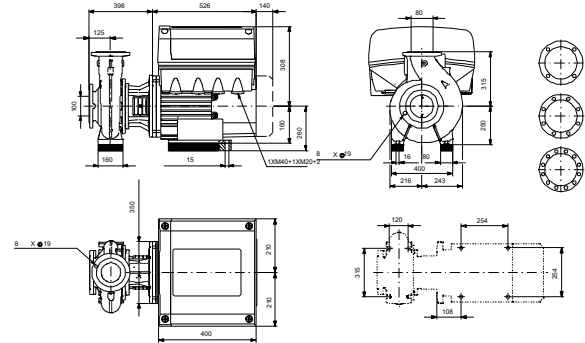
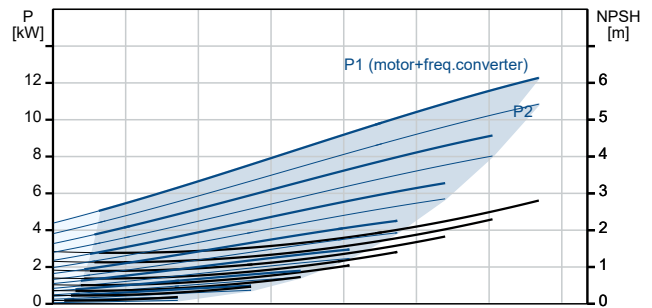
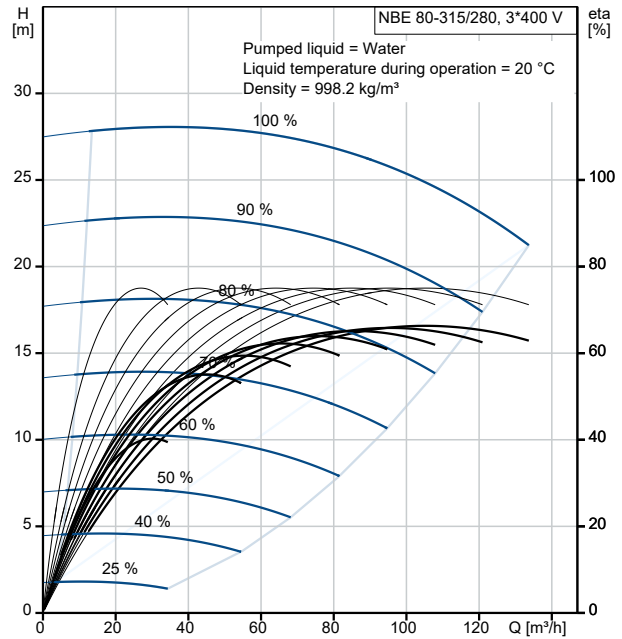
Qty.	Description																																																		
1	<p>The motor is a totally enclosed, fan-cooled motor with principal dimensions to IEC and DIN standards. Electrical tolerances comply with IEC 60034.</p> <p>The motor efficiency is classified as IE3 in accordance with IEC 60034-30-1.</p> <p>The motor requires no external motor protection. The motor control unit incorporates protection against slow- and quick-rising temperatures, e.g. constant overload and stalled conditions.</p> <p>The terminal box holds terminals for these connections:</p> <ul style="list-style-type: none"> - pump start/stop input (potential-free contact) - remote setpoint setting via analog signal, 0-10 V, 0(4)-20 mA - 10 V voltage supply for setpoint potentiometer, I_{max} = 5 mA - one analog sensor input, 0-10 V, 0(4)-20 mA - 24 V voltage supply for sensor, I_{max} = 40 mA - one digital input - two potential-free fault signal relays with changeover contact, reporting "Fault", "Operation" or "Ready" - RS-485 GENIbus connection - interface for Grundfos CIM fieldbus module. <p>Further product details</p> <p>Cast-iron parts have an epoxy-based coating made in a cathodic electro-deposition (CED) process. CED is a high-quality dip-painting process where an electrical field around the products ensures deposition of paint particles as a thin, well-controlled layer on the surface.</p> <p>Technical data</p> <p>Controls:</p> <table border="0"> <tr> <td>Frequency converter:</td> <td>Built-in</td> </tr> <tr> <td>Pressure sensor:</td> <td>N</td> </tr> </table> <p>Liquid:</p> <table border="0"> <tr> <td>Pumped liquid:</td> <td>Water</td> </tr> <tr> <td>Liquid temperature range:</td> <td>-25 .. 120 °C</td> </tr> <tr> <td>Selected liquid temperature:</td> <td>20 °C</td> </tr> <tr> <td>Density:</td> <td>998.2 kg/m³</td> </tr> </table> <p>Technical:</p> <table border="0"> <tr> <td>Pump speed on which pump data are based:</td> <td>1460 rpm</td> </tr> <tr> <td>Rated flow:</td> <td>106.9 m³/h</td> </tr> <tr> <td>Rated head:</td> <td>24.13 m</td> </tr> <tr> <td>Actual impeller diameter:</td> <td>280 mm</td> </tr> <tr> <td>Nominal impeller diameter:</td> <td>315</td> </tr> <tr> <td>Shaft seal arrangement:</td> <td>Single</td> </tr> <tr> <td>Code for shaft seal:</td> <td>BQQE</td> </tr> <tr> <td>Curve tolerance:</td> <td>ISO9906:2012 3B</td> </tr> <tr> <td>Bearing design:</td> <td>Standard</td> </tr> </table> <p>Materials:</p> <table border="0"> <tr> <td>Pump housing:</td> <td>Cast iron EN-GJL-250 ASTM class 35</td> </tr> <tr> <td>Wear ring:</td> <td>Brass</td> </tr> <tr> <td>Impeller:</td> <td>Cast iron EN-GJL-200 ASTM class 30</td> </tr> <tr> <td>Internal pump house coating:</td> <td>CED</td> </tr> <tr> <td>Shaft:</td> <td>Stainless steel EN 1.4301 AISI 304</td> </tr> </table> <p>Installation:</p> <table border="0"> <tr> <td>Range of ambient temperature:</td> <td>-20 .. 40 °C</td> </tr> <tr> <td>Maximum operating pressure:</td> <td>16 bar</td> </tr> <tr> <td>Pipe connection standard:</td> <td>EN 1092-2</td> </tr> <tr> <td>Size of inlet connection:</td> <td>DN 100</td> </tr> <tr> <td>Size of outlet connection:</td> <td>DN 80</td> </tr> </table>	Frequency converter:	Built-in	Pressure sensor:	N	Pumped liquid:	Water	Liquid temperature range:	-25 .. 120 °C	Selected liquid temperature:	20 °C	Density:	998.2 kg/m ³	Pump speed on which pump data are based:	1460 rpm	Rated flow:	106.9 m ³ /h	Rated head:	24.13 m	Actual impeller diameter:	280 mm	Nominal impeller diameter:	315	Shaft seal arrangement:	Single	Code for shaft seal:	BQQE	Curve tolerance:	ISO9906:2012 3B	Bearing design:	Standard	Pump housing:	Cast iron EN-GJL-250 ASTM class 35	Wear ring:	Brass	Impeller:	Cast iron EN-GJL-200 ASTM class 30	Internal pump house coating:	CED	Shaft:	Stainless steel EN 1.4301 AISI 304	Range of ambient temperature:	-20 .. 40 °C	Maximum operating pressure:	16 bar	Pipe connection standard:	EN 1092-2	Size of inlet connection:	DN 100	Size of outlet connection:	DN 80
Frequency converter:	Built-in																																																		
Pressure sensor:	N																																																		
Pumped liquid:	Water																																																		
Liquid temperature range:	-25 .. 120 °C																																																		
Selected liquid temperature:	20 °C																																																		
Density:	998.2 kg/m ³																																																		
Pump speed on which pump data are based:	1460 rpm																																																		
Rated flow:	106.9 m ³ /h																																																		
Rated head:	24.13 m																																																		
Actual impeller diameter:	280 mm																																																		
Nominal impeller diameter:	315																																																		
Shaft seal arrangement:	Single																																																		
Code for shaft seal:	BQQE																																																		
Curve tolerance:	ISO9906:2012 3B																																																		
Bearing design:	Standard																																																		
Pump housing:	Cast iron EN-GJL-250 ASTM class 35																																																		
Wear ring:	Brass																																																		
Impeller:	Cast iron EN-GJL-200 ASTM class 30																																																		
Internal pump house coating:	CED																																																		
Shaft:	Stainless steel EN 1.4301 AISI 304																																																		
Range of ambient temperature:	-20 .. 40 °C																																																		
Maximum operating pressure:	16 bar																																																		
Pipe connection standard:	EN 1092-2																																																		
Size of inlet connection:	DN 100																																																		
Size of outlet connection:	DN 80																																																		

Qty.	Description
1	<p>Pressure rating for connection: PN 16 Bearing lubrication: Grease Pump housing with feet: Yes Support block (Yes/No): Y</p> <p>Electrical data: IE Efficiency class: IE3 Rated power - P2: 11 kW Mains frequency: 50 Hz Rated voltage: 3 x 380-480 V Rated current: 22.0-17.8 A Cos phi - power factor: 0.91-0.90 Rated speed: 240-1750 rpm Efficiency: IE3 91,4% Motor efficiency at full load: 91.4 % Number of poles: 4 Enclosure class (IEC 34-5): IP55 Insulation class (IEC 85): F Motor No: 86906207</p> <p>Others: Minimum efficiency index, MEI ≥: 0.70 Net weight: 241 kg Gross weight: 274 kg Shipping volume: 0.951 m³ Danish VVS No.: 386104316 Country of origin: HU Custom tariff no.: 84137051</p>

98976087 NBE 80-315/280 AASF2AESBQQENW3 50 Hz

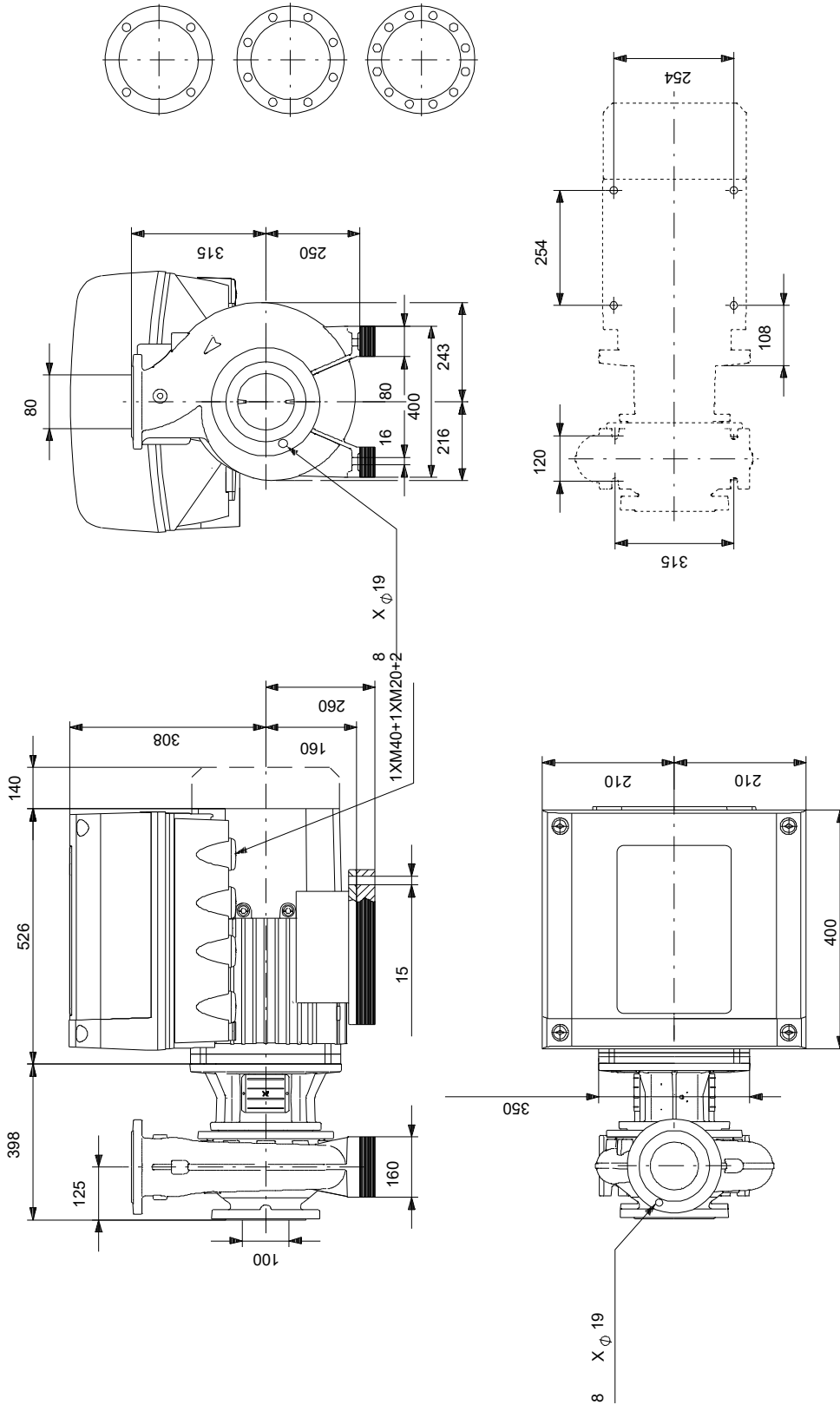


Description	Value
General information:	
Product name:	NBE 80-315/280 AASF2AESBQQENW3
Product No:	98976087
EAN number:	5712604555477
Technical:	
Pump speed on which pump data are based:	1460 rpm
Rated flow:	106.9 m ³ /h
Rated head:	24.13 m
Actual impeller diameter:	280 mm
Nominal impeller diameter:	315
Shaft seal arrangement:	Single
Shaft diameter:	32 mm
Code for shaft seal:	BQQE
Curve tolerance:	ISO9906:2012 3B
Pump version:	AS
Bearing design:	Standard
Materials:	
Pump housing:	Cast iron
Pump housing:	EN-GJL-250
Pump housing:	ASTM class 35
Wear ring:	Brass
Impeller:	Cast iron
Impeller:	EN-GJL-200
Impeller:	ASTM class 30
Internal pump house coating:	CED
Material code:	A
Code for rubber:	E
Shaft:	Stainless steel
Shaft:	EN 1.4301
Shaft:	AISI 304
Installation:	
Range of ambient temperature:	-20 .. 40 °C
Maximum operating pressure:	16 bar
Pipe connection standard:	EN 1092-2
Size of inlet connection:	DN 100
Size of outlet connection:	DN 80
Pressure rating for connection:	PN 16
Bearing lubrication:	Grease
Pump housing with feet:	Yes
Support block (Yes/No):	Y
Connect code:	F2
Liquid:	
Pumped liquid:	Water
Liquid temperature range:	-25 .. 120 °C
Selected liquid temperature:	20 °C
Density:	998.2 kg/m ³
Electrical data:	
IE Efficiency class:	IE3
Rated power - P2:	11 kW
Mains frequency:	50 Hz
Rated voltage:	3 x 380-480 V
Rated current:	22.0-17.8 A
Cos phi - power factor:	0.91-0.90
Rated speed:	240-1750 rpm
Efficiency:	IE3 91,4%
Motor efficiency at full load:	91.4 %
Number of poles:	4
Enclosure class (IEC 34-5):	IP55
Insulation class (IEC 85):	F
Built-in motor protection:	YES
Motor No:	86906207
Mount. design. acc. IEC 34-7:	IM B35



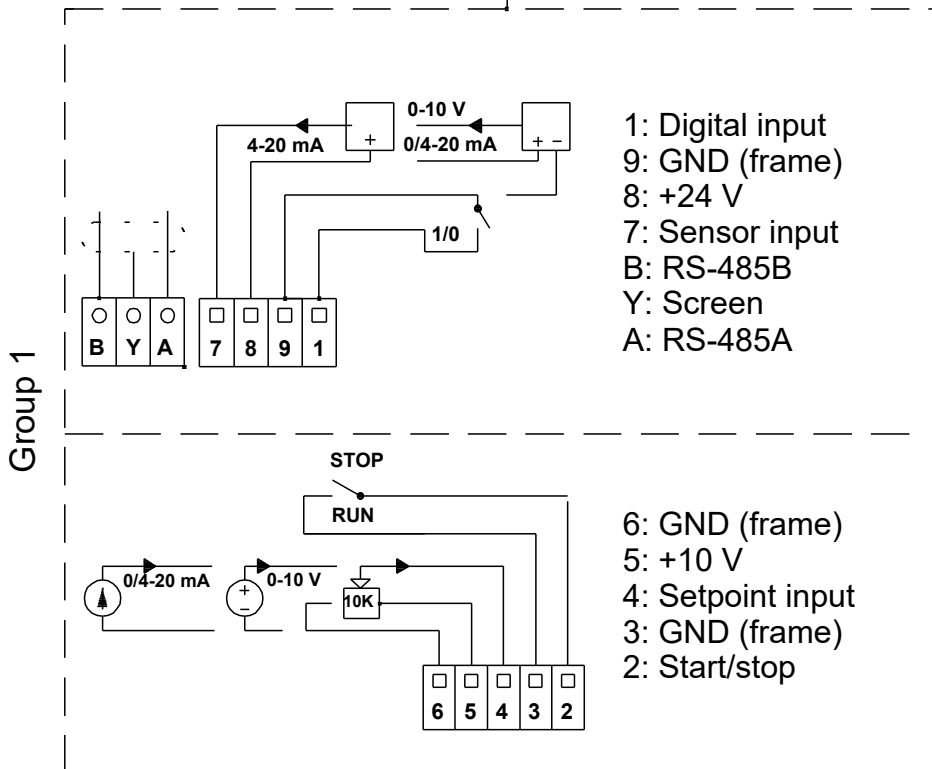
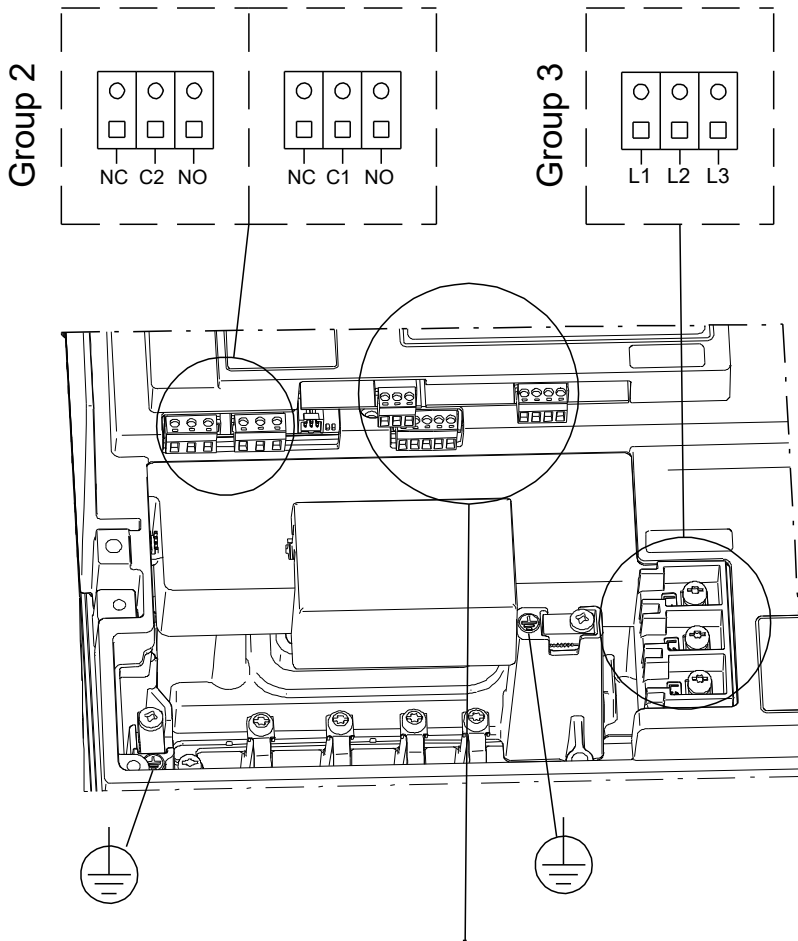
Description	Value
Controls:	
Control panel:	Standard
Function Module:	PUMP I/O
Frequency converter:	Built-in
Pressure sensor:	N
Others:	
Minimum efficiency index, MEI ≥:	0.70
Net weight:	241 kg
Gross weight:	274 kg
Shipping volume:	0.951 m ³
Danish VVS No.:	386104316
Country of origin:	HU
Custom tariff no.:	84137051

98976087 NBE 80-315/280 AASF2AESBQQENW3 50 Hz



Note! All units are in [mm] unless others are stated.
 Disclaimer: This simplified dimensional drawing does not show all details.

98976087 NBE 80-315/280 AASF2AESBQQENW3 50 Hz



Note! All units are in [mm] unless others are stated.

