

Qty. Description1 **NBE 32-250/262 AASF2AESBQQEOW1****Note! Product picture may differ from actual product**Product No.: [98976060](#)

Non-self-priming, single-stage, centrifugal volute pump designed according to ISO 5199 with dimensions and rated performance according to EN 733 (10 bar).

Flanges are PN 16 with dimensions according to EN 1092-2. The pump has an axial suction port, radial discharge port, horizontal shaft and a back pull-out design enabling removal of the motor, motor stool, cover and impeller without disturbing the pump housing or pipework.

The unbalanced rubber bellows seal is according to DIN EN 12756.

The pump is close-coupled to a fan-cooled asynchronous motor.

The motor includes a frequency converter and PI controller in the motor terminal box. This enables continuously variable control of the motor speed, which again enables adaptation of the performance to a given requirement.

Controls:

Frequency converter: Built-in

Pressure sensor: N

Liquid:

Pumped liquid: Water

Liquid temperature range: -25 .. 120 °C

Selected liquid temperature: 20 °C

Density: 998.2 kg/m³**Technical:**

Pump speed on which pump data are based: 2940 rpm

Rated flow: 26.97 m³/h

Rated head: 79.24 m

Actual impeller diameter: 262 mm

Nominal impeller diameter: 250

Shaft seal arrangement: Single

Code for shaft seal: BQQE

Curve tolerance: ISO9906:2012 3B

Bearing design: Standard

Materials:Pump housing: Cast iron
EN-GJL-250
ASTM class 35

Wear ring: Brass

Impeller: Cast iron
EN-GJL-200
ASTM class 30

Internal pump house coating: CED

Shaft: Stainless steel
EN 1.4301
AISI 304**Installation:**

Range of ambient temperature: -20 .. 40 °C

Maximum operating pressure: 16 bar

Pipe connection standard: EN 1092-2

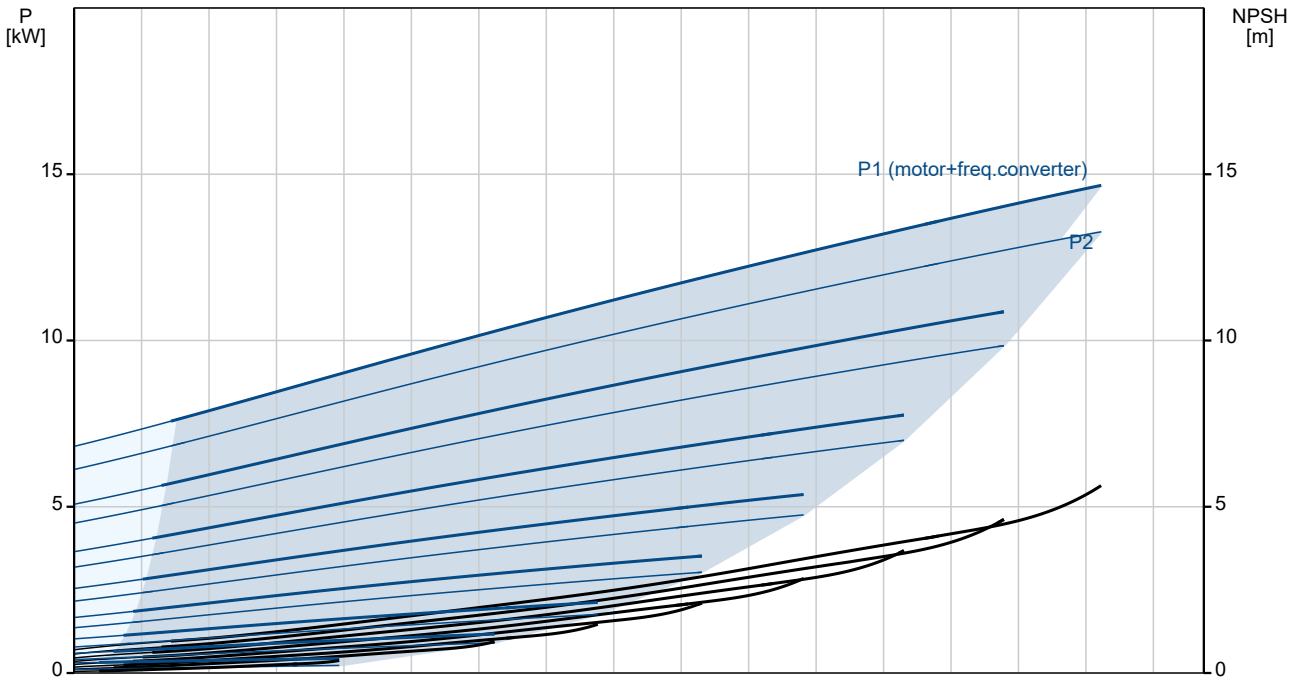
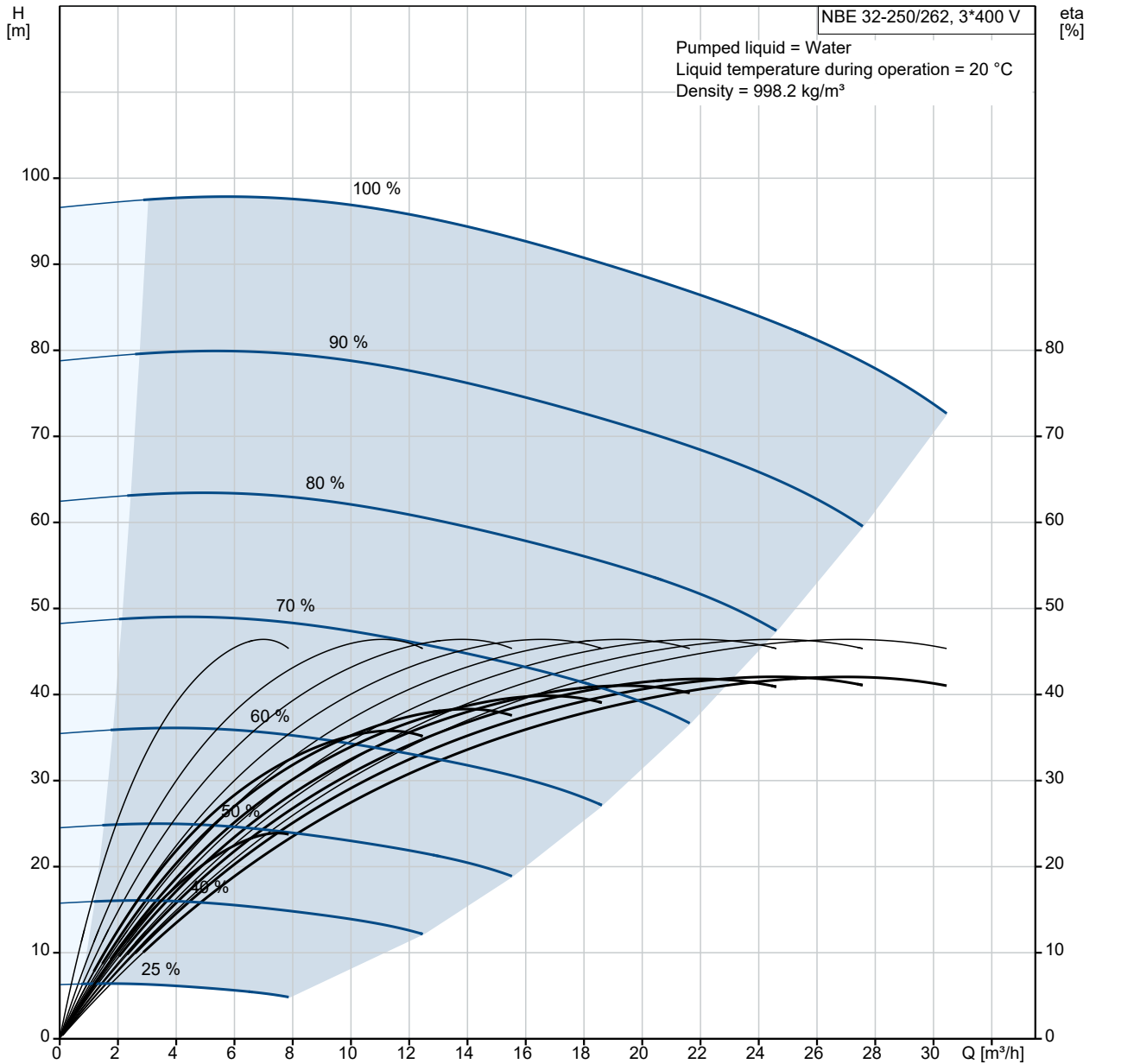
Size of inlet connection: DN 50

Size of outlet connection: DN 32

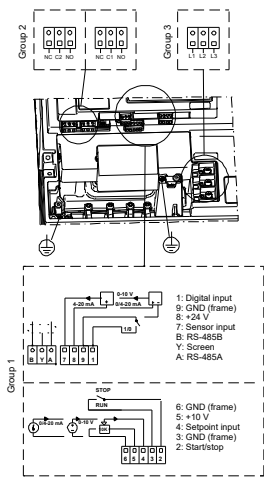
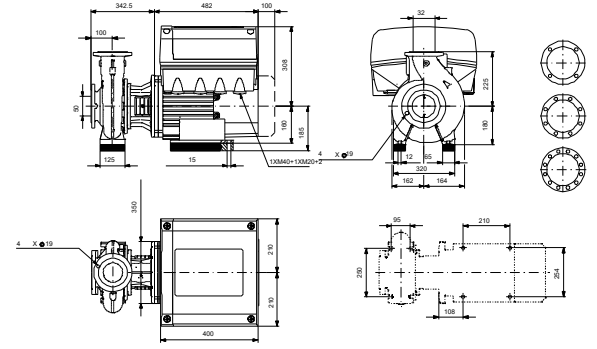
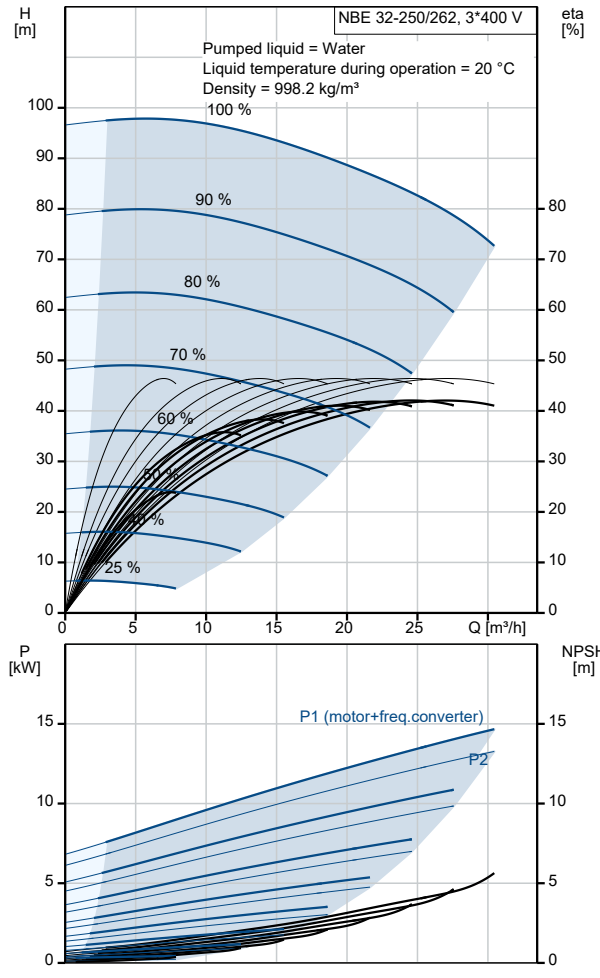
Pressure rating for connection: PN 16

Qty.	Description																																																		
1	<table border="0"> <tr> <td>Bearing lubrication:</td> <td>Grease</td> </tr> <tr> <td>Pump housing with feet:</td> <td>Yes</td> </tr> <tr> <td>Support block (Yes/No):</td> <td>Y</td> </tr> <tr> <td colspan="2">Electrical data:</td> </tr> <tr> <td>IE Efficiency class:</td> <td>IE3</td> </tr> <tr> <td>Rated power - P2:</td> <td>15 kW</td> </tr> <tr> <td>Mains frequency:</td> <td>50 Hz</td> </tr> <tr> <td>Rated voltage:</td> <td>3 x 380-480 V</td> </tr> <tr> <td>Rated current:</td> <td>30.0-26.0 A</td> </tr> <tr> <td>Cos phi - power factor:</td> <td>0.91-0.86</td> </tr> <tr> <td>Rated speed:</td> <td>480-3540 rpm</td> </tr> <tr> <td>Efficiency:</td> <td>IE3 91,9%</td> </tr> <tr> <td>Motor efficiency at full load:</td> <td>91.9 %</td> </tr> <tr> <td>Number of poles:</td> <td>2</td> </tr> <tr> <td>Enclosure class (IEC 34-5):</td> <td>IP55</td> </tr> <tr> <td>Insulation class (IEC 85):</td> <td>F</td> </tr> <tr> <td>Motor No:</td> <td>85901265</td> </tr> <tr> <td colspan="2">Others:</td> </tr> <tr> <td>Minimum efficiency index, MEI ≥:</td> <td>0.70</td> </tr> <tr> <td>Net weight:</td> <td>199 kg</td> </tr> <tr> <td>Gross weight:</td> <td>221 kg</td> </tr> <tr> <td>Shipping volume:</td> <td>0.509 m³</td> </tr> <tr> <td>Danish VVS No.:</td> <td>386100257</td> </tr> <tr> <td>Country of origin:</td> <td>HU</td> </tr> <tr> <td>Custom tariff no.:</td> <td>84137051</td> </tr> </table>	Bearing lubrication:	Grease	Pump housing with feet:	Yes	Support block (Yes/No):	Y	Electrical data:		IE Efficiency class:	IE3	Rated power - P2:	15 kW	Mains frequency:	50 Hz	Rated voltage:	3 x 380-480 V	Rated current:	30.0-26.0 A	Cos phi - power factor:	0.91-0.86	Rated speed:	480-3540 rpm	Efficiency:	IE3 91,9%	Motor efficiency at full load:	91.9 %	Number of poles:	2	Enclosure class (IEC 34-5):	IP55	Insulation class (IEC 85):	F	Motor No:	85901265	Others:		Minimum efficiency index, MEI ≥:	0.70	Net weight:	199 kg	Gross weight:	221 kg	Shipping volume:	0.509 m ³	Danish VVS No.:	386100257	Country of origin:	HU	Custom tariff no.:	84137051
Bearing lubrication:	Grease																																																		
Pump housing with feet:	Yes																																																		
Support block (Yes/No):	Y																																																		
Electrical data:																																																			
IE Efficiency class:	IE3																																																		
Rated power - P2:	15 kW																																																		
Mains frequency:	50 Hz																																																		
Rated voltage:	3 x 380-480 V																																																		
Rated current:	30.0-26.0 A																																																		
Cos phi - power factor:	0.91-0.86																																																		
Rated speed:	480-3540 rpm																																																		
Efficiency:	IE3 91,9%																																																		
Motor efficiency at full load:	91.9 %																																																		
Number of poles:	2																																																		
Enclosure class (IEC 34-5):	IP55																																																		
Insulation class (IEC 85):	F																																																		
Motor No:	85901265																																																		
Others:																																																			
Minimum efficiency index, MEI ≥:	0.70																																																		
Net weight:	199 kg																																																		
Gross weight:	221 kg																																																		
Shipping volume:	0.509 m ³																																																		
Danish VVS No.:	386100257																																																		
Country of origin:	HU																																																		
Custom tariff no.:	84137051																																																		

98976060 NBE 32-250/262 AASF2AESBQQEOW1 50 Hz

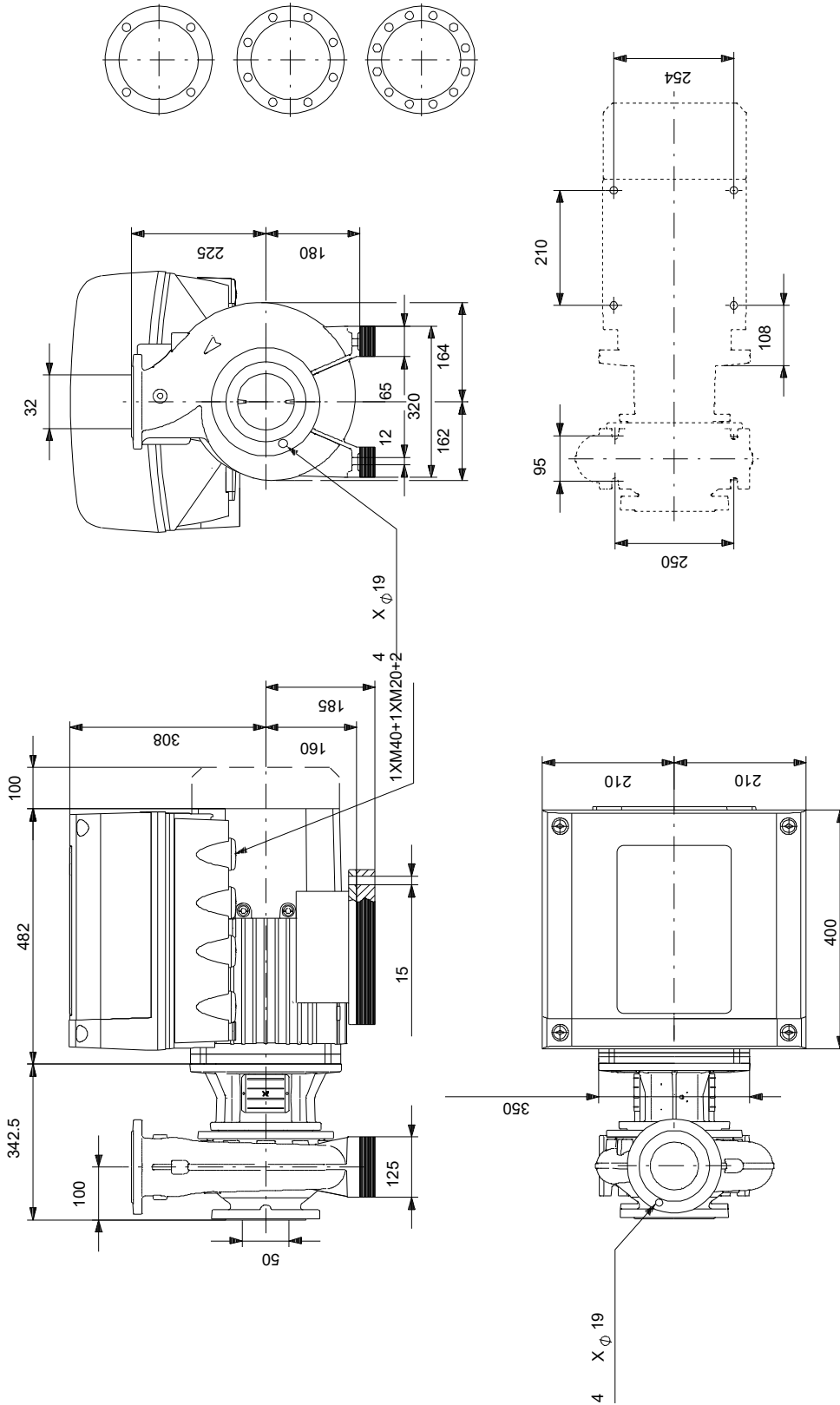


Description	Value
General information:	
Product name:	NBE 32-250/262 AASF2AESBQQEOW1
Product No:	98976060
EAN number:	5712604555132
Technical:	
Pump speed on which pump data are based:	2940 rpm
Rated flow:	26.97 m ³ /h
Rated head:	79.24 m
Actual impeller diameter:	262 mm
Nominal impeller diameter:	250
Shaft seal arrangement:	Single
Shaft diameter:	24 mm
Code for shaft seal:	BQQE
Curve tolerance:	ISO9906:2012 3B
Pump version:	AS
Bearing design:	Standard
Materials:	
Pump housing:	Cast iron
Pump housing:	EN-GJL-250
Pump housing:	ASTM class 35
Wear ring:	Brass
Impeller:	Cast iron
Impeller:	EN-GJL-200
Impeller:	ASTM class 30
Internal pump house coating:	CED
Material code:	A
Code for rubber:	E
Shaft:	Stainless steel
Shaft:	EN 1.4301
Shaft:	AISI 304
Installation:	
Range of ambient temperature:	-20 .. 40 °C
Maximum operating pressure:	16 bar
Pipe connection standard:	EN 1092-2
Size of inlet connection:	DN 50
Size of outlet connection:	DN 32
Pressure rating for connection:	PN 16
Bearing lubrication:	Grease
Pump housing with feet:	Yes
Support block (Yes/No):	Y
Connect code:	F2
Liquid:	
Pumped liquid:	Water
Liquid temperature range:	-25 .. 120 °C
Selected liquid temperature:	20 °C
Density:	998.2 kg/m ³
Electrical data:	
IE Efficiency class:	IE3
Rated power - P2:	15 kW
Mains frequency:	50 Hz
Rated voltage:	3 x 380-480 V
Rated current:	30.0-26.0 A
Cos phi - power factor:	0.91-0.86
Rated speed:	480-3540 rpm
Efficiency:	IE3 91,9%
Motor efficiency at full load:	91.9 %
Number of poles:	2
Enclosure class (IEC 34-5):	IP55
Insulation class (IEC 85):	F
Built-in motor protection:	YES
Motor No:	85901265
Mount. design. acc. IEC 34-7:	IM B35



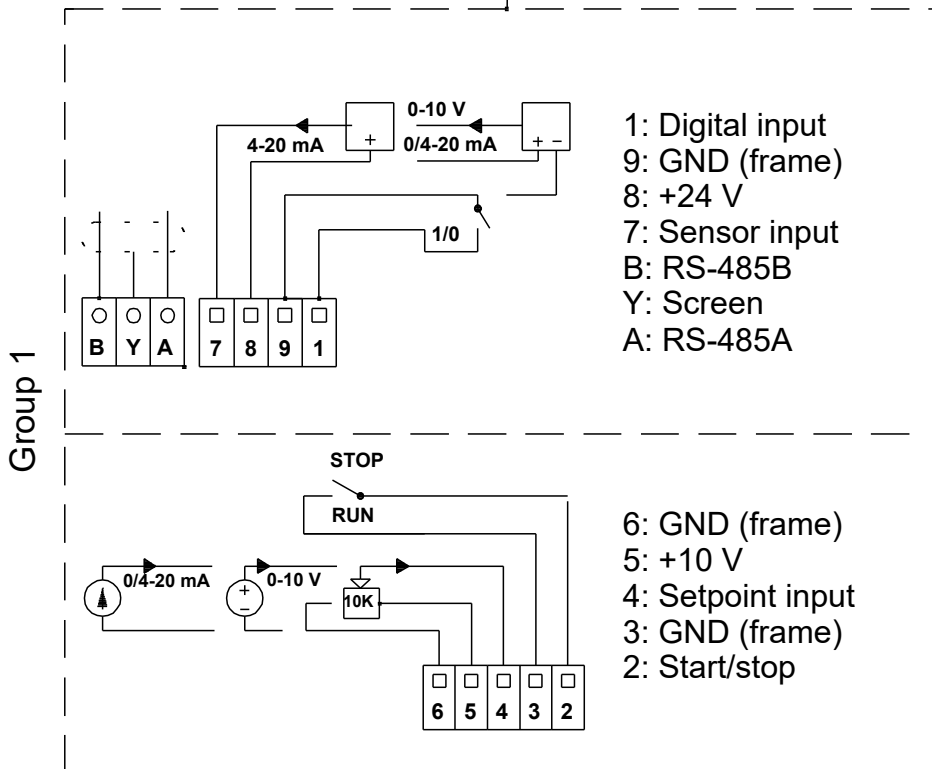
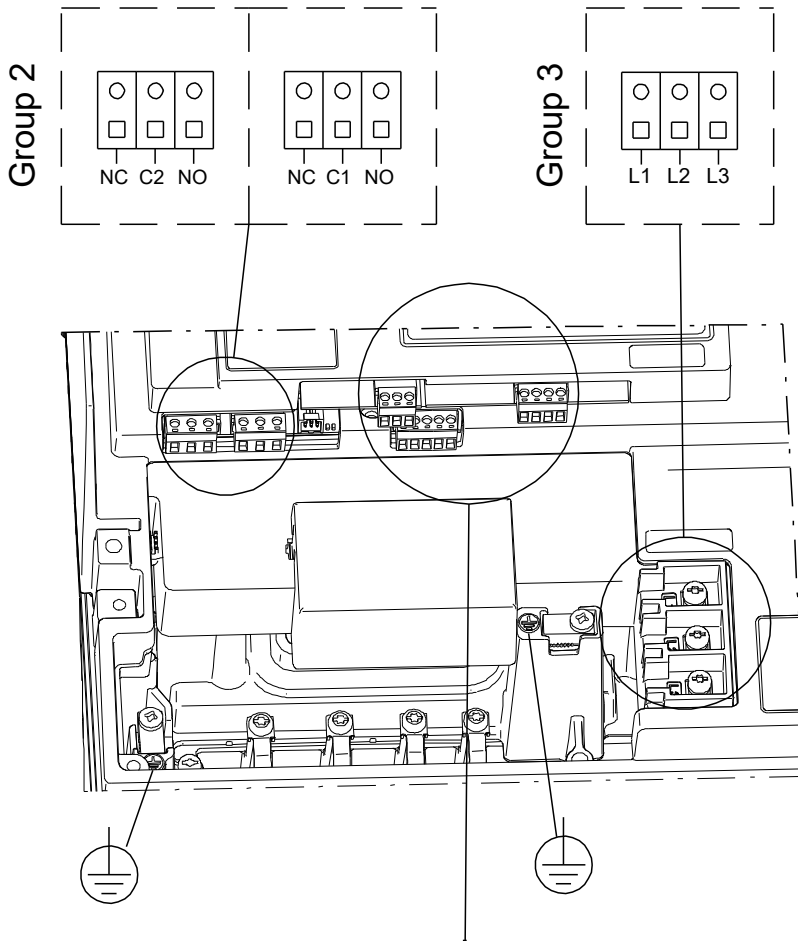
Description	Value
Controls:	
Control panel:	Standard
Function Module:	PUMP I/O
Frequency converter:	Built-in
Pressure sensor:	N
Others:	
Minimum efficiency index, MEI ≥:	0.70
Net weight:	199 kg
Gross weight:	221 kg
Shipping volume:	0.509 m ³
Danish VVS No.:	386100257
Country of origin:	HU
Custom tariff no.:	84137051

98976060 NBE 32-250/262 AASF2AESBQQEOW1 50 Hz



Note! All units are in [mm] unless others are stated.
 Disclaimer: This simplified dimensional drawing does not show all details.

98976060 NBE 32-250/262 AASF2AESBQQEOW1 50 Hz



Note! All units are in [mm] unless others are stated.

Order Data:

Position	Your pos.	Product name	Amount	Product No	Total
		NBE 32-250/262	1	98976060	Price on request