

Qty. Description1 **NK 100-250/215 BA2F2AESBQQEMW3**

Note! Product picture may differ from actual product

Product No.: [98973704](#)

Non-self-priming, single-stage, centrifugal pump designed according to ISO 5199 with dimensions and rated performance according to EN 733. Flanges are PN 16 with dimensions according to EN 1092-2. The pump has an axial suction port, a radial discharge port and horizontal shaft. It is of the back pull-out design enabling removal of the coupling, bearing bracket and impeller without disturbing the motor, pump housing or pipework.

The unbalanced rubber bellows seal is according to DIN EN 12756.

The pump is fitted with a foot-mounted, fan-cooled asynchronous motor. Pump and motor are mounted on a common base frame.

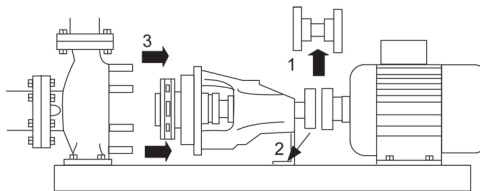
The product's minimum efficiency index (MEI) is greater or equal to 0.70. This is by the Commission Regulation (EU) considered as an indicative benchmark for best-performing water pump available on the market as from 1 January 2013.

Pump and motor are mounted on a common steel base frame in accordance with ISO 3661.

The back pull-out design together with a spacer coupling makes it possible to service the pump without dismantling the pump housing and motor from the base frame.

This saves realignment of pump and motor after service.

- 1) Remove coupling.
- 2) Remove the bolts in the bearing bracket support foot.
- 3) Remove the bearing bracket from the pump housing.

**Pump**

The pump is fitted with an unbalanced rubber bellows seal with torque transmission across the spring and around the bellows. Due to the bellows, the seal does not wear the shaft, and the axial movement is not prevented by deposits on the shaft.

{IMG Filename: GRALON_NB-NK-G_SHAFTSEAL_Bxxx.gif }

Seal faces:

- Rotating seal ring material: silicon carbide (SiC)
- Stationary seat material: silicon carbide (SiC)

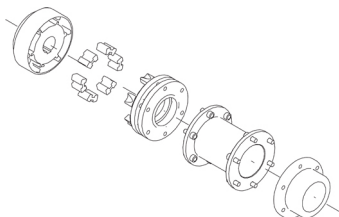
This material pairing is used where higher corrosion resistance is required. The high hardness of this material pairing offers good resistance against abrasive particles.

Secondary seal material: EPDM (ethylene-propylene rubber)

EPDM has excellent resistance to hot water. EPDM is not suitable for mineral oils.

The shaft is made of stainless steel and has a diameter of 32 mm where the coupling is mounted.

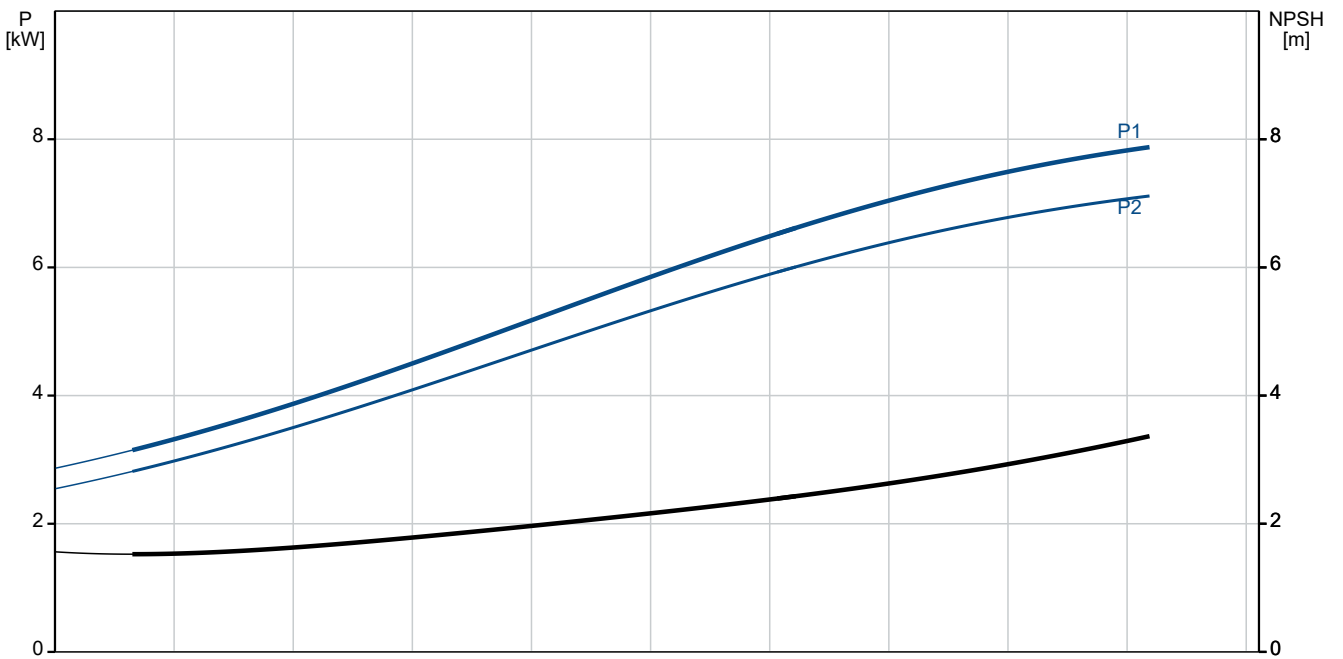
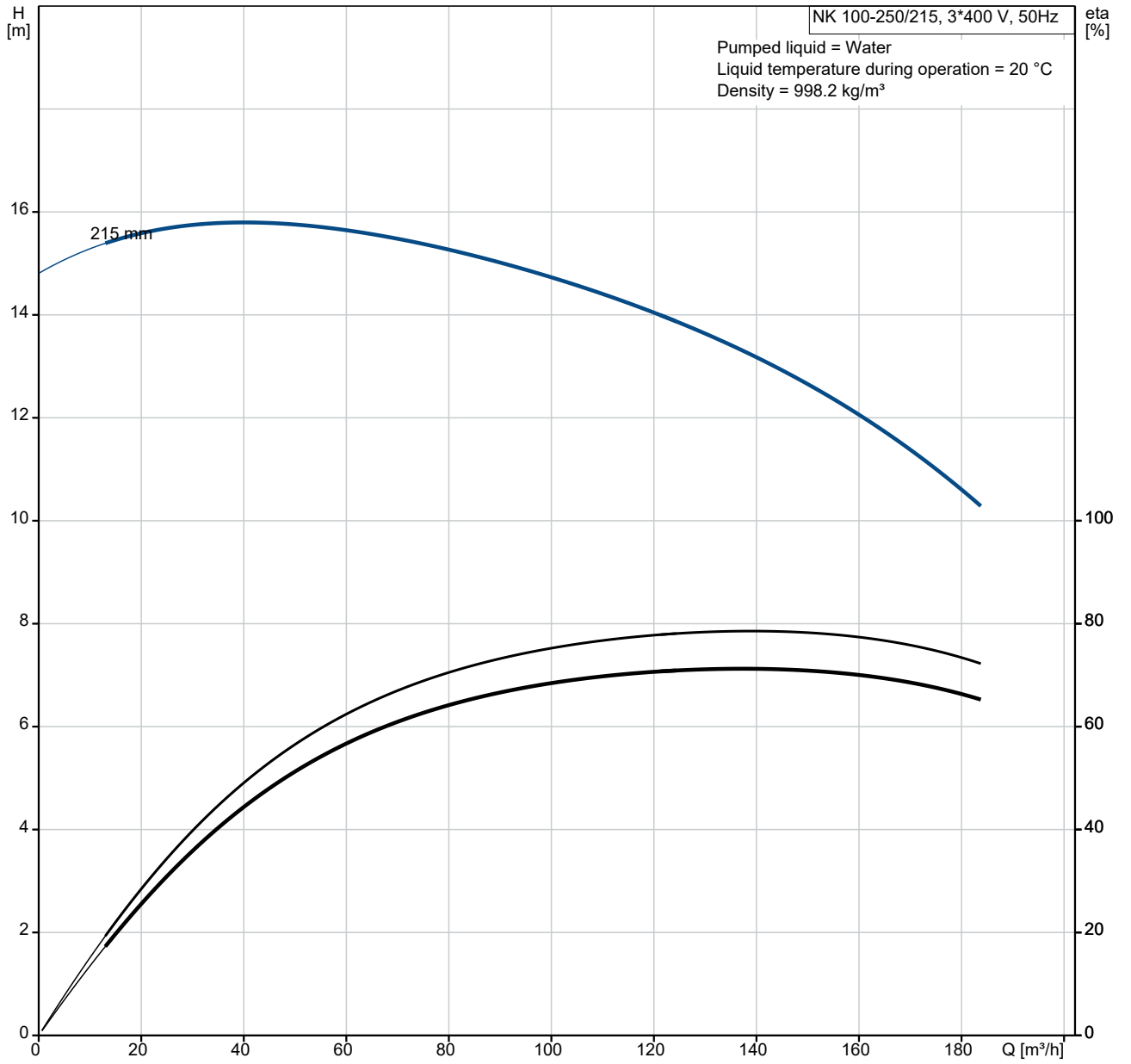
The pump uses a spacer coupling between the pump and motor shaft.

**Motor**

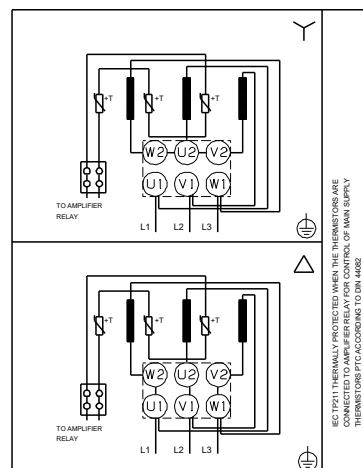
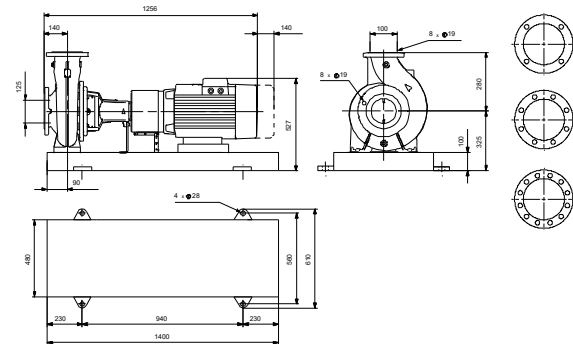
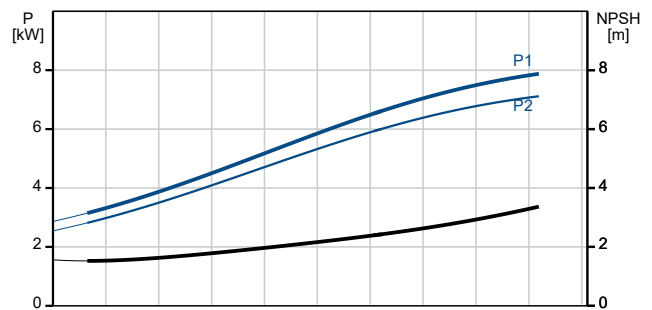
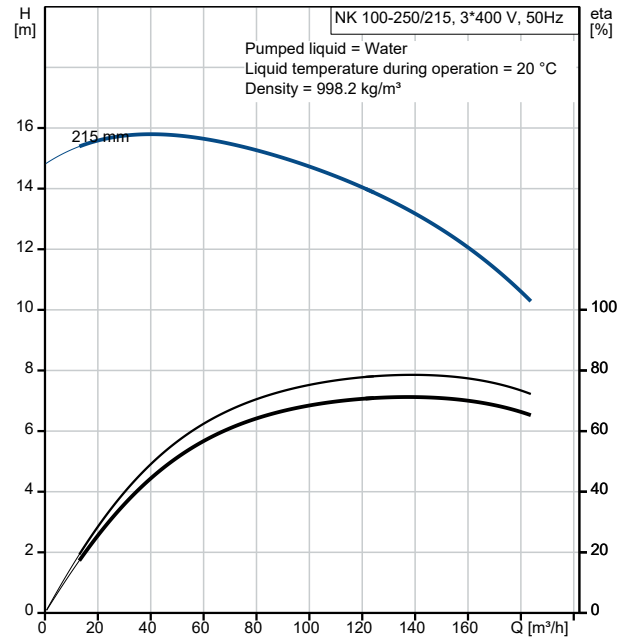
Qty.	Description																																																												
1	<p>The motor is a totally enclosed, fan-cooled motor with principal dimensions to IEC and DIN standards. Electrical tolerances comply with IEC 60034.</p> <p>The motor efficiency is classified as IE3 in accordance with IEC 60034-30-1.</p> <p>The motor has thermistors (PTC sensors) in the windings in accordance with DIN 44081/DIN 44082. The protection reacts to both slow- and quick-rising temperatures, e.g. constant overload and stalled conditions.</p> <p>Thermal switches must be connected to an external control circuit in a way which ensures that the automatic reset cannot cause accidents. The motors must be connected to a motor-protective circuit breaker according to local regulations.</p> <p>The motor can be connected to a variable speed drive for adjustment of pump performance to any duty point. Grundfos CUE offers a range of variable speed drives. Please find more information in Grundfos Product Center.</p> <p>Further product details</p> <p>Cast-iron parts have an epoxy-based coating made in a cathodic electro-deposition (CED) process. CED is a high-quality dip-painting process where an electrical field around the products ensures deposition of paint particles as a thin, well-controlled layer on the surface.</p> <p>Technical data</p> <p>Controls:</p> <table data-bbox="196 779 638 846"> <tr> <td>Frequency converter:</td> <td>NONE</td> </tr> <tr> <td>Pressure sensor:</td> <td>N</td> </tr> </table> <p>Liquid:</p> <table data-bbox="196 898 702 1025"> <tr> <td>Pumped liquid:</td> <td>Water</td> </tr> <tr> <td>Liquid temperature range:</td> <td>-25 .. 120 °C</td> </tr> <tr> <td>Selected liquid temperature:</td> <td>20 °C</td> </tr> <tr> <td>Density:</td> <td>998.2 kg/m³</td> </tr> </table> <p>Technical:</p> <table data-bbox="196 1077 821 1384"> <tr> <td>Pump speed on which pump data are based:</td> <td>1465 rpm</td> </tr> <tr> <td>Rated flow:</td> <td>138 m³/h</td> </tr> <tr> <td>Pump with motor (Yes/No):</td> <td>Y</td> </tr> <tr> <td>Rated head:</td> <td>13.07 m</td> </tr> <tr> <td>Actual impeller diameter:</td> <td>215 mm</td> </tr> <tr> <td>Nominal impeller diameter:</td> <td>250</td> </tr> <tr> <td>Code for shaft seal:</td> <td>BQQE</td> </tr> <tr> <td>Mechanical seal type:</td> <td>Single</td> </tr> <tr> <td>Curve tolerance:</td> <td>ISO9906:2012 3B2</td> </tr> <tr> <td>Bearing design:</td> <td>Standard</td> </tr> </table> <p>Materials:</p> <table data-bbox="196 1435 734 1765"> <tr> <td>Pump housing:</td> <td>Cast iron EN-GJL-250 ASTM class 35</td> </tr> <tr> <td>Wear ring:</td> <td>Brass</td> </tr> <tr> <td>Impeller:</td> <td>Cast iron EN-GJL-200 ASTM class 30</td> </tr> <tr> <td>Internal pump house coating:</td> <td>CED</td> </tr> <tr> <td>Shaft:</td> <td>Stainless steel EN 1.4301 AISI 304</td> </tr> </table> <p>Installation:</p> <table data-bbox="196 1816 758 2101"> <tr> <td>t max amb:</td> <td>55 °C</td> </tr> <tr> <td>Maximum operating pressure:</td> <td>16 bar</td> </tr> <tr> <td>Pipe connection standard:</td> <td>EN 1092-2</td> </tr> <tr> <td>Type of inlet connection:</td> <td>DIN</td> </tr> <tr> <td>Type of outlet connection:</td> <td>DIN</td> </tr> <tr> <td>Size of inlet connection:</td> <td>DN 125</td> </tr> <tr> <td>Size of outlet connection:</td> <td>DN 100</td> </tr> <tr> <td>Pressure rating for connection:</td> <td>PN 16</td> </tr> <tr> <td>Coupling type:</td> <td>Flexible w/spacer</td> </tr> </table>	Frequency converter:	NONE	Pressure sensor:	N	Pumped liquid:	Water	Liquid temperature range:	-25 .. 120 °C	Selected liquid temperature:	20 °C	Density:	998.2 kg/m ³	Pump speed on which pump data are based:	1465 rpm	Rated flow:	138 m ³ /h	Pump with motor (Yes/No):	Y	Rated head:	13.07 m	Actual impeller diameter:	215 mm	Nominal impeller diameter:	250	Code for shaft seal:	BQQE	Mechanical seal type:	Single	Curve tolerance:	ISO9906:2012 3B2	Bearing design:	Standard	Pump housing:	Cast iron EN-GJL-250 ASTM class 35	Wear ring:	Brass	Impeller:	Cast iron EN-GJL-200 ASTM class 30	Internal pump house coating:	CED	Shaft:	Stainless steel EN 1.4301 AISI 304	t max amb:	55 °C	Maximum operating pressure:	16 bar	Pipe connection standard:	EN 1092-2	Type of inlet connection:	DIN	Type of outlet connection:	DIN	Size of inlet connection:	DN 125	Size of outlet connection:	DN 100	Pressure rating for connection:	PN 16	Coupling type:	Flexible w/spacer
Frequency converter:	NONE																																																												
Pressure sensor:	N																																																												
Pumped liquid:	Water																																																												
Liquid temperature range:	-25 .. 120 °C																																																												
Selected liquid temperature:	20 °C																																																												
Density:	998.2 kg/m ³																																																												
Pump speed on which pump data are based:	1465 rpm																																																												
Rated flow:	138 m ³ /h																																																												
Pump with motor (Yes/No):	Y																																																												
Rated head:	13.07 m																																																												
Actual impeller diameter:	215 mm																																																												
Nominal impeller diameter:	250																																																												
Code for shaft seal:	BQQE																																																												
Mechanical seal type:	Single																																																												
Curve tolerance:	ISO9906:2012 3B2																																																												
Bearing design:	Standard																																																												
Pump housing:	Cast iron EN-GJL-250 ASTM class 35																																																												
Wear ring:	Brass																																																												
Impeller:	Cast iron EN-GJL-200 ASTM class 30																																																												
Internal pump house coating:	CED																																																												
Shaft:	Stainless steel EN 1.4301 AISI 304																																																												
t max amb:	55 °C																																																												
Maximum operating pressure:	16 bar																																																												
Pipe connection standard:	EN 1092-2																																																												
Type of inlet connection:	DIN																																																												
Type of outlet connection:	DIN																																																												
Size of inlet connection:	DN 125																																																												
Size of outlet connection:	DN 100																																																												
Pressure rating for connection:	PN 16																																																												
Coupling type:	Flexible w/spacer																																																												

Qty.	Description																																																										
1	<table border="0"> <tr> <td>Base frame design:</td> <td>EN/ISO</td> </tr> <tr> <td>Code for base frame:</td> <td>7</td> </tr> <tr> <td>Grouting (Yes/No):</td> <td>N</td> </tr> <tr> <td colspan="2">Electrical data:</td> </tr> <tr> <td>Motor type:</td> <td>SIEMENS</td> </tr> <tr> <td>IE Efficiency class:</td> <td>IE3</td> </tr> <tr> <td>Rated power - P2:</td> <td>7.5 kW</td> </tr> <tr> <td>Mains frequency:</td> <td>50 Hz</td> </tr> <tr> <td>Rated voltage:</td> <td>3 x 380-420D/660-725Y V</td> </tr> <tr> <td>Rated current:</td> <td>14.3/8.3 A</td> </tr> <tr> <td>Starting current:</td> <td>820-820 %</td> </tr> <tr> <td>Cos phi - power factor:</td> <td>0.84</td> </tr> <tr> <td>Rated speed:</td> <td>1465 rpm</td> </tr> <tr> <td>Efficiency:</td> <td>IE3 90,4%</td> </tr> <tr> <td>Motor efficiency at full load:</td> <td>90.4-90.4 %</td> </tr> <tr> <td>Motor efficiency at 3/4 load:</td> <td>91.1-91.1 %</td> </tr> <tr> <td>Motor efficiency at 1/2 load:</td> <td>90.8-90.8 %</td> </tr> <tr> <td>Number of poles:</td> <td>4</td> </tr> <tr> <td>Enclosure class (IEC 34-5):</td> <td>IP55</td> </tr> <tr> <td>Insulation class (IEC 85):</td> <td>F</td> </tr> <tr> <td>Motor No:</td> <td>98957793</td> </tr> <tr> <td>Bearing insulation type N-end:</td> <td>N</td> </tr> <tr> <td colspan="2">Others:</td> </tr> <tr> <td>Minimum efficiency index, MEI ≥:</td> <td>0.70</td> </tr> <tr> <td>Net weight:</td> <td>292 kg</td> </tr> <tr> <td>Gross weight:</td> <td>319 kg</td> </tr> <tr> <td>Shipping volume:</td> <td>0.742 m³</td> </tr> <tr> <td>Country of origin:</td> <td>HU</td> </tr> <tr> <td>Custom tariff no.:</td> <td>84137059</td> </tr> </table>	Base frame design:	EN/ISO	Code for base frame:	7	Grouting (Yes/No):	N	Electrical data:		Motor type:	SIEMENS	IE Efficiency class:	IE3	Rated power - P2:	7.5 kW	Mains frequency:	50 Hz	Rated voltage:	3 x 380-420D/660-725Y V	Rated current:	14.3/8.3 A	Starting current:	820-820 %	Cos phi - power factor:	0.84	Rated speed:	1465 rpm	Efficiency:	IE3 90,4%	Motor efficiency at full load:	90.4-90.4 %	Motor efficiency at 3/4 load:	91.1-91.1 %	Motor efficiency at 1/2 load:	90.8-90.8 %	Number of poles:	4	Enclosure class (IEC 34-5):	IP55	Insulation class (IEC 85):	F	Motor No:	98957793	Bearing insulation type N-end:	N	Others:		Minimum efficiency index, MEI ≥:	0.70	Net weight:	292 kg	Gross weight:	319 kg	Shipping volume:	0.742 m ³	Country of origin:	HU	Custom tariff no.:	84137059
Base frame design:	EN/ISO																																																										
Code for base frame:	7																																																										
Grouting (Yes/No):	N																																																										
Electrical data:																																																											
Motor type:	SIEMENS																																																										
IE Efficiency class:	IE3																																																										
Rated power - P2:	7.5 kW																																																										
Mains frequency:	50 Hz																																																										
Rated voltage:	3 x 380-420D/660-725Y V																																																										
Rated current:	14.3/8.3 A																																																										
Starting current:	820-820 %																																																										
Cos phi - power factor:	0.84																																																										
Rated speed:	1465 rpm																																																										
Efficiency:	IE3 90,4%																																																										
Motor efficiency at full load:	90.4-90.4 %																																																										
Motor efficiency at 3/4 load:	91.1-91.1 %																																																										
Motor efficiency at 1/2 load:	90.8-90.8 %																																																										
Number of poles:	4																																																										
Enclosure class (IEC 34-5):	IP55																																																										
Insulation class (IEC 85):	F																																																										
Motor No:	98957793																																																										
Bearing insulation type N-end:	N																																																										
Others:																																																											
Minimum efficiency index, MEI ≥:	0.70																																																										
Net weight:	292 kg																																																										
Gross weight:	319 kg																																																										
Shipping volume:	0.742 m ³																																																										
Country of origin:	HU																																																										
Custom tariff no.:	84137059																																																										

98973704 NK 100-250/215 BA2F2AESBQQEMW3 50 Hz

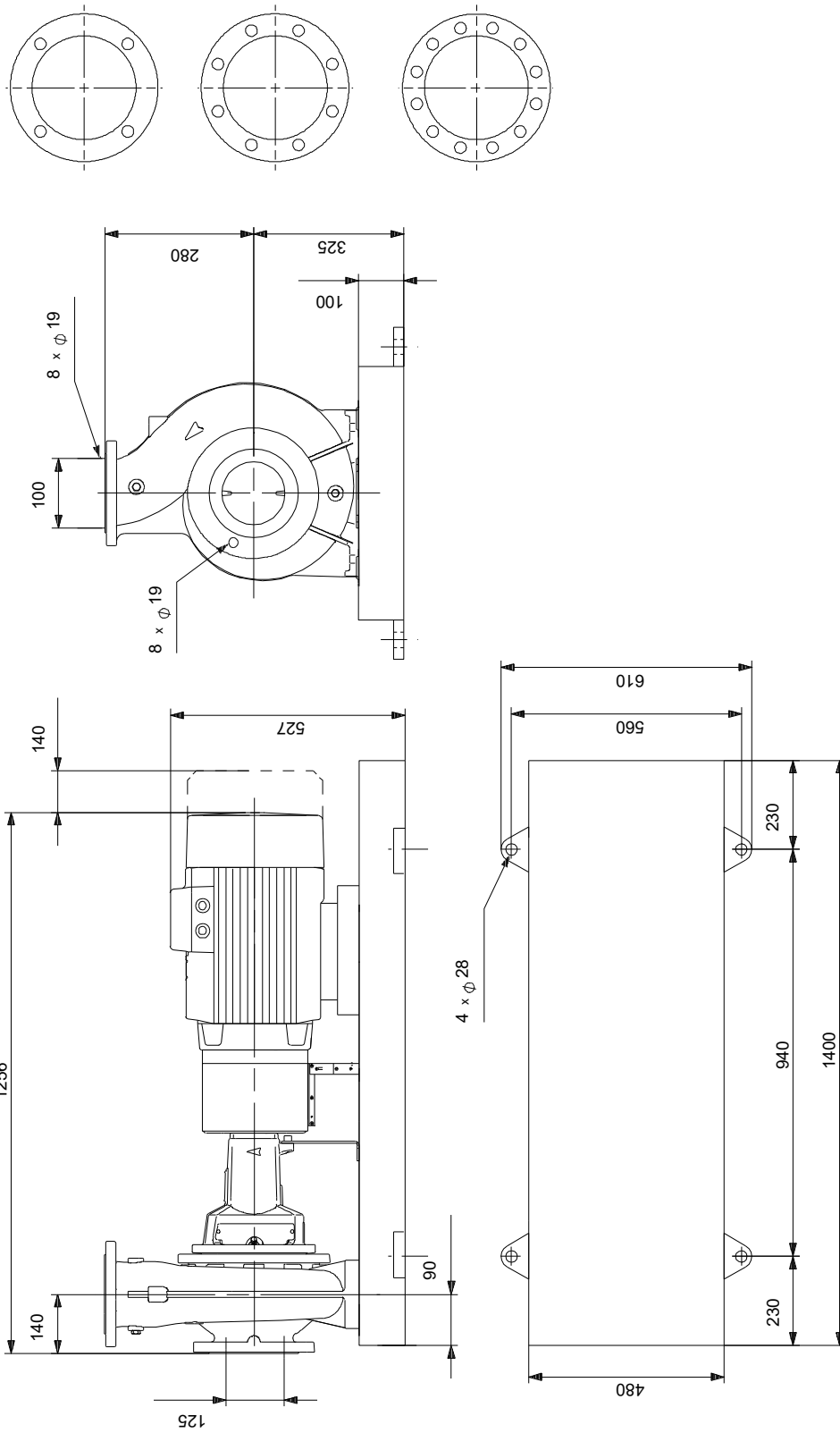


Description	Value
General information:	
Product name:	NK 100-250/215 BA2F2AESBQQEMW3
Product No:	98973704
EAN number:	5712604510810
Technical:	
Pump speed on which pump data are based:	1465 rpm
Rated flow:	138 m³/h
Pump with motor (Yes/No):	Y
Rated head:	13.07 m
Actual impeller diameter:	215 mm
Nominal impeller diameter:	250
Shaft diameter:	32 mm
Code for shaft seal:	BQQE
Mechanical seal type:	Single
Curve tolerance:	ISO9906:2012 3B2
Pump version:	A2
Bearing design:	Standard
Materials:	
Pump housing:	Cast iron
Pump housing:	EN-GJL-250
Pump housing:	ASTM class 35
Wear ring:	Brass
Impeller:	Cast iron
Impeller:	EN-GJL-200
Impeller:	ASTM class 30
Internal pump house coating:	CED
Material code:	A
Code for rubber:	E
Shaft:	Stainless steel
Shaft:	EN 1.4301
Shaft:	AISI 304
Installation:	
t max amb:	55 °C
Maximum operating pressure:	16 bar
Pipe connection standard:	EN 1092-2
Type of inlet connection:	DIN
Type of outlet connection:	DIN
Size of inlet connection:	DN 125
Size of outlet connection:	DN 100
Pressure rating for connection:	PN 16
Coupling type:	Flexible w/spacer
Base frame design:	EN/ISO
Code for base frame:	7
Grouting (Yes/No):	N
Connect code:	F
Liquid:	
Pumped liquid:	Water
Liquid temperature range:	-25 .. 120 °C
Selected liquid temperature:	20 °C
Density:	998.2 kg/m³
Electrical data:	
Motor type:	SIEMENS
IE Efficiency class:	IE3
Rated power - P2:	7.5 kW
Mains frequency:	50 Hz
Rated voltage:	3 x 380-420D/660-725Y V
Rated current:	14.3/8.3 A
Starting current:	820-820 %
Cos phi - power factor:	0.84
Rated speed:	1465 rpm
Efficiency:	IE3 90,4%
Motor efficiency at full load:	90.4-90.4 %



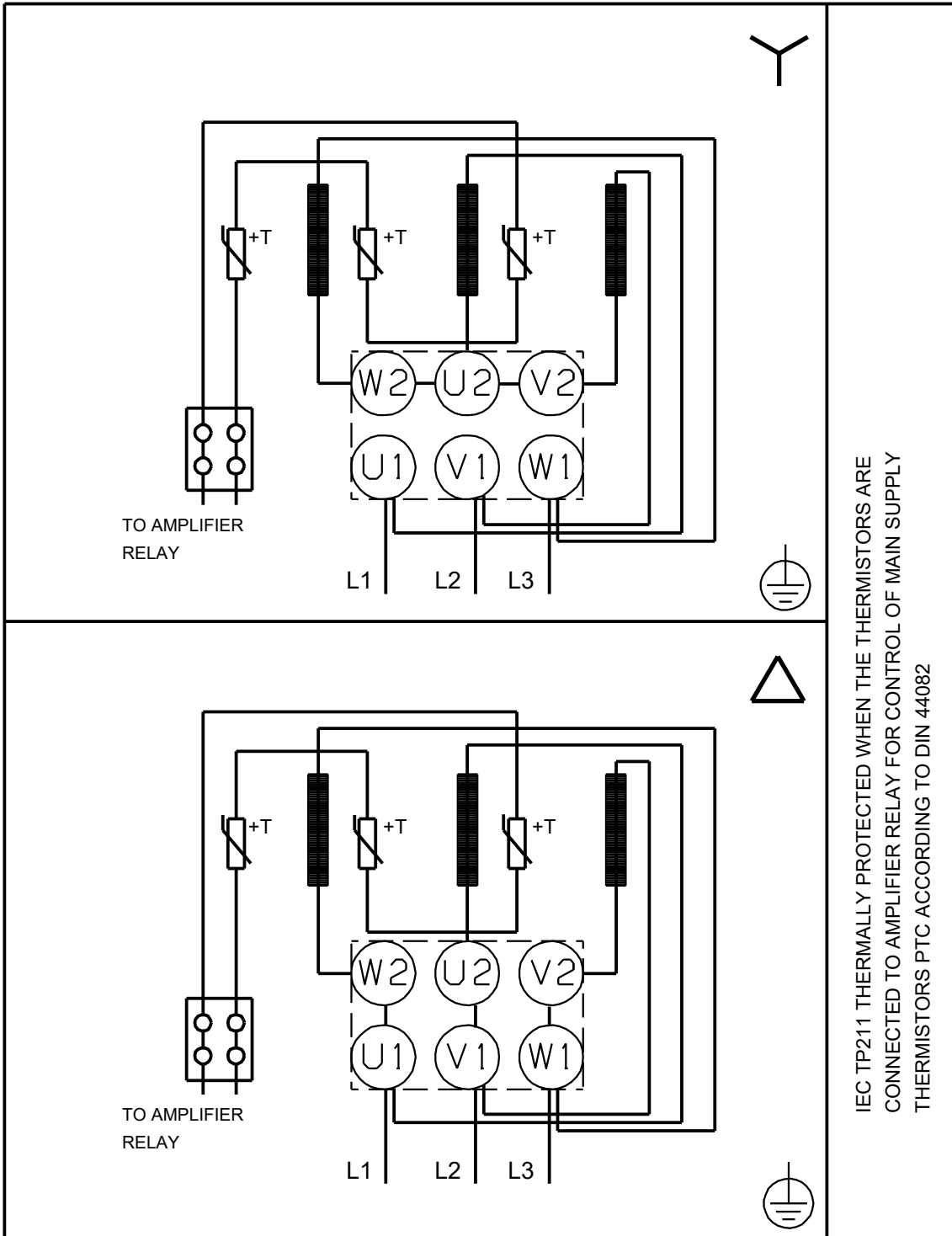
Description	Value
Motor efficiency at 3/4 load:	91.1-91.1 %
Motor efficiency at 1/2 load:	90.8-90.8 %
Number of poles:	4
Enclosure class (IEC 34-5):	IP55
Insulation class (IEC 85):	F
Built-in motor protection:	PTC
Motor No:	98957793
Bearing insulation type N-end:	N
Controls:	
Frequency converter:	NONE
Pressure sensor:	N
Others:	
Minimum efficiency index, MEI ≥:	0.70
Net weight:	292 kg
Gross weight:	319 kg
Shipping volume:	0.742 m ³
Country of origin:	HU
Custom tariff no.:	84137059

98973704 NK 100-250/215 BA2F2AESBQQEMW3 50 Hz



Note! All units are in [mm] unless others are stated.
 Disclaimer: This simplified dimensional drawing does not show all details.

98973704 NK 100-250/215 BA2F2AESBQQEMW3 50 Hz



IEC TP211 THERMALLY PROTECTED WHEN THE THERMISTORS ARE
CONNECTED TO AMPLIFIER RELAY FOR CONTROL OF MAIN SUPPLY
THERMISTORS PTC ACCORDING TO DIN 44082

Note! All units are in [mm] unless others are stated.

Order Data:

Position	Your pos.	Product name	Amount	Product No	Total
		NK 100-250/215	1	98973704	Price on request