

Qty. Description

1 NK 125-315/262 AA2F2AESBQQE2W1



Note! Product picture may differ from actual product

Product No.: [98972906](#)

Non-self-priming, single-stage, centrifugal pump designed according to ISO 5199 with dimensions and rated performance according to EN 733. Flanges are PN 16 with dimensions according to EN 1092-2. The pump has an axial suction port, a radial discharge port and horizontal shaft. It is of the back pull-out design enabling removal of the coupling, bearing bracket and impeller without disturbing the motor, pump housing or pipework.

The unbalanced rubber bellows seal is according to DIN EN 12756.

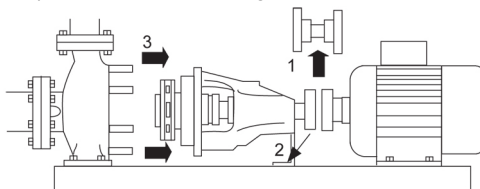
The pump is fitted with a foot-mounted, fan-cooled asynchronous motor. Pump and motor are mounted on a common base frame.

Pump and motor are mounted on a common steel base frame in accordance with ISO 3661.

The back pull-out design together with a spacer coupling makes it possible to service the pump without dismantling the pump housing and motor from the base frame.

This saves realignment of pump and motor after service.

- 1) Remove coupling.
- 2) Remove the bolts in the bearing bracket support foot.
- 3) Remove the bearing bracket from the pump housing.



Pump

The pump is fitted with an unbalanced rubber bellows seal with torque transmission across the spring and around the bellows. Due to the bellows, the seal does not wear the shaft, and the axial movement is not prevented by deposits on the shaft.

{IMG Filename: GRALON_NB-NK-G_SHAFTSEAL_Bxxx.gif }

Seal faces:

- Rotating seal ring material: silicon carbide (SiC)
- Stationary seat material: silicon carbide (SiC)

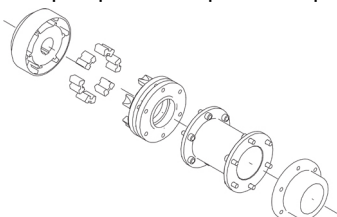
This material pairing is used where higher corrosion resistance is required. The high hardness of this material pairing offers good resistance against abrasive particles.

Secondary seal material: EPDM (ethylene-propylene rubber)

EPDM has excellent resistance to hot water. EPDM is not suitable for mineral oils.

The shaft is made of stainless steel and has a diameter of 42 mm where the coupling is mounted.

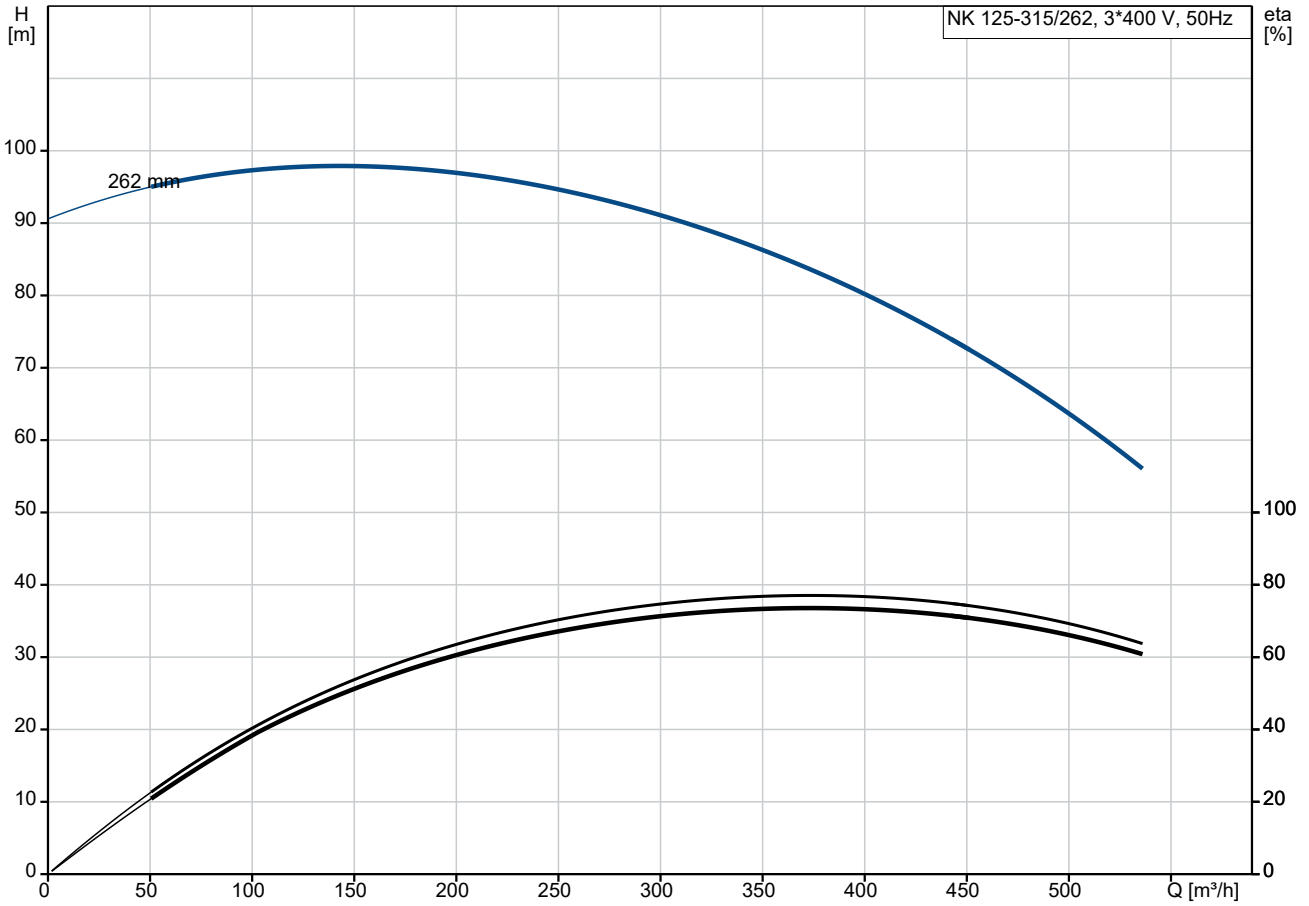
The pump uses a spacer coupling between the pump and motor shaft.



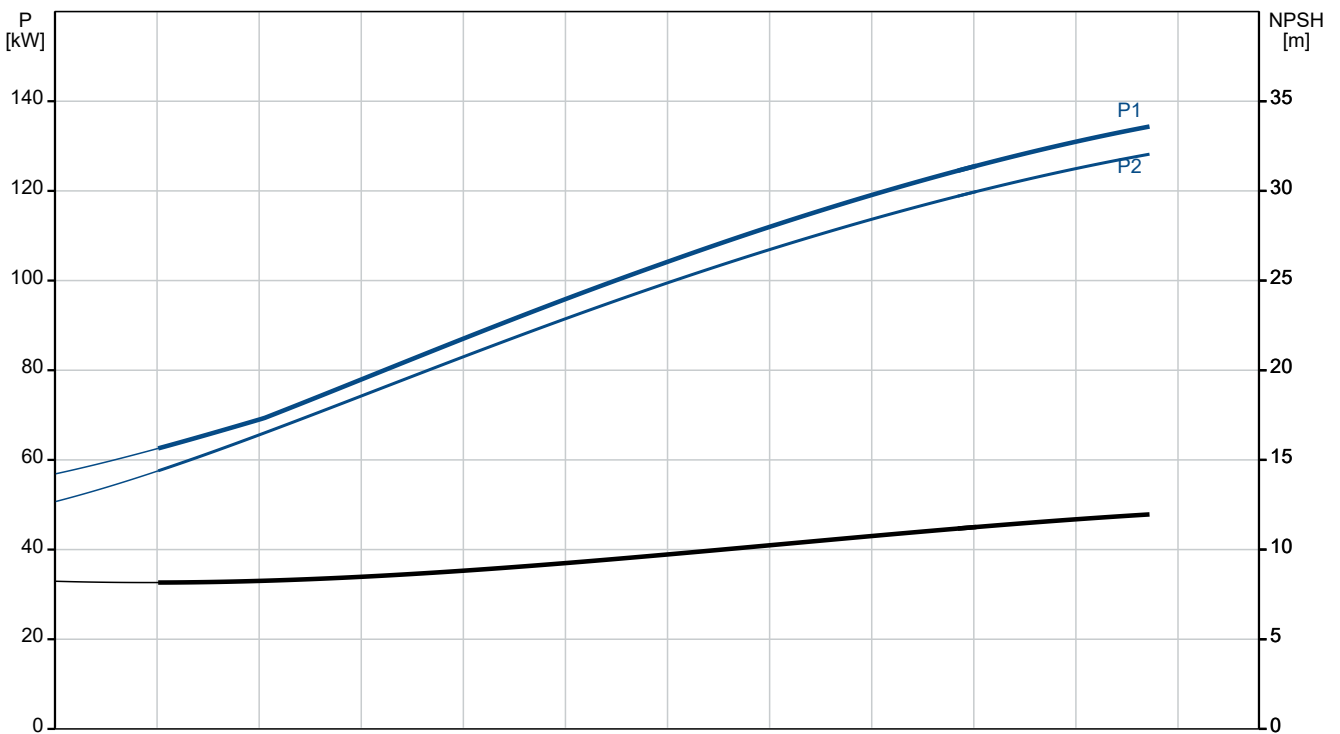
Qty.	Description
1	<p>The base frame is prepared for grouting. Grouting improves the contact of the base frame with the foundation and stiffens the base frame construction. This changes the vibration level.</p> <p>Grouting is mandatory for all base frame types for all 2-pole pumps equal to and above 55 kW to fulfill the max vibration level requirements stated in standards. For other pump motor combinations grouting of the base frame is optional.</p> <p>Motor</p> <p>The motor is a totally enclosed, fan-cooled motor with principal dimensions to IEC and DIN standards. Electrical tolerances comply with IEC 60034.</p> <p>The motor efficiency is classified as IE3 in accordance with IEC 60034-30-1.</p> <p>The motor has thermistors (PTC sensors) in the windings in accordance with DIN 44081/DIN 44082. The protection reacts to both slow- and quick-rising temperatures, e.g. constant overload and stalled conditions.</p> <p>Thermal switches must be connected to an external control circuit in a way which ensures that the automatic reset cannot cause accidents. The motors must be connected to a motor-protective circuit breaker according to local regulations.</p> <p>A variable speed drive makes adjustment of pump performance to any duty point possible. If the motor is to be connected to a variable speed drive, the pump must be ordered with an electrically insulated motor bearing.</p> <p>Further product details</p> <p>Cast-iron parts have an epoxy-based coating made in a cathodic electro-deposition (CED) process. CED is a high-quality dip-painting process where an electrical field around the products ensures deposition of paint particles as a thin, well-controlled layer on the surface.</p> <p>Technical data</p> <p>Controls:</p> <p>Frequency converter: NONE</p> <p>Pressure sensor: N</p> <p>Liquid:</p> <p>Pumped liquid: Water</p> <p>Liquid temperature range: -25 .. 120 °C</p> <p>Selected liquid temperature: 20 °C</p> <p>Density: 998.2 kg/m³</p> <p>Technical:</p> <p>Pump speed on which pump data are based: 2982 rpm</p> <p>Rated flow: 382.4 m³/h</p> <p>Pump with motor (Yes/No): Y</p> <p>Rated head: 82.26 m</p> <p>Actual impeller diameter: 262 mm</p> <p>Nominal impeller diameter: 315</p> <p>Code for shaft seal: BQQE</p> <p>Mechanical seal type: Single</p> <p>Curve tolerance: ISO9906:2012 3B</p> <p>Bearing design: Standard</p> <p>Materials:</p> <p>Pump housing: Cast iron EN-GJL-250 ASTM class 35</p> <p>Wear ring: Brass</p> <p>Impeller: Cast iron EN-GJL-200 ASTM class 30</p> <p>Internal pump house coating: CED</p> <p>Shaft: Stainless steel</p>

Qty.	Description
1	<p data-bbox="564 338 679 371">EN 1.4301</p> <p data-bbox="564 371 660 405">AISI 304</p> <p data-bbox="201 427 325 461">Installation:</p> <p data-bbox="201 461 628 495">t max amb: 55 °C</p> <p data-bbox="201 495 636 528">Maximum operating pressure: 16 bar</p> <p data-bbox="201 528 683 562">Pipe connection standard: EN 1092-2</p> <p data-bbox="201 562 608 595">Type of inlet connection: DIN</p> <p data-bbox="201 595 608 629">Type of outlet connection: DIN</p> <p data-bbox="201 629 647 663">Size of inlet connection: DN 150</p> <p data-bbox="201 663 647 696">Size of outlet connection: DN 125</p> <p data-bbox="201 696 636 730">Pressure rating for connection: PN 16</p> <p data-bbox="201 730 754 763">Coupling type: Flexible w/spacer</p> <p data-bbox="201 763 647 797">Base frame design: EN/ISO</p> <p data-bbox="201 797 592 831">Code for base frame: 10</p> <p data-bbox="201 831 584 864">Grouting (Yes/No): Y</p> <p data-bbox="201 887 360 920">Electrical data:</p> <p data-bbox="201 920 676 954">Motor type: SIEMENS</p> <p data-bbox="201 954 604 987">IE Efficiency class: IE3</p> <p data-bbox="201 987 647 1021">Rated power - P2: 132 kW</p> <p data-bbox="201 1021 632 1055">Mains frequency: 50 Hz</p> <p data-bbox="201 1055 847 1088">Rated voltage: 3 x 380-420D/660-725Y V</p> <p data-bbox="201 1088 676 1122">Rated current: 220/127 A</p> <p data-bbox="201 1122 683 1155">Starting current: 720-720 %</p> <p data-bbox="201 1155 612 1189">Cos phi - power factor: 0.91</p> <p data-bbox="201 1189 671 1223">Rated speed: 2982 rpm</p> <p data-bbox="201 1223 679 1256">Efficiency: IE3 95,4%</p> <p data-bbox="201 1256 699 1290">Motor efficiency at full load: 95.4-95.4 %</p> <p data-bbox="201 1290 699 1323">Motor efficiency at 3/4 load: 95.5-95.5 %</p> <p data-bbox="201 1323 699 1357">Motor efficiency at 1/2 load: 95.2-95.2 %</p> <p data-bbox="201 1357 580 1391">Number of poles: 2</p> <p data-bbox="201 1391 616 1424">Enclosure class (IEC 34-5): IP55</p> <p data-bbox="201 1424 580 1458">Insulation class (IEC 85): F</p> <p data-bbox="201 1458 676 1491">Motor No: 98943383</p> <p data-bbox="201 1491 759 1525">Bearing insulation type N-end: STEEL BEARING</p> <p data-bbox="201 1547 280 1581">Others:</p> <p data-bbox="201 1581 636 1615">Minimum efficiency index, MEI ≥: 0.62</p> <p data-bbox="201 1615 655 1648">Net weight: 1410 kg</p> <p data-bbox="201 1648 655 1682">Gross weight: 1510 kg</p> <p data-bbox="201 1682 647 1715">Shipping volume: 2.96 m³</p>

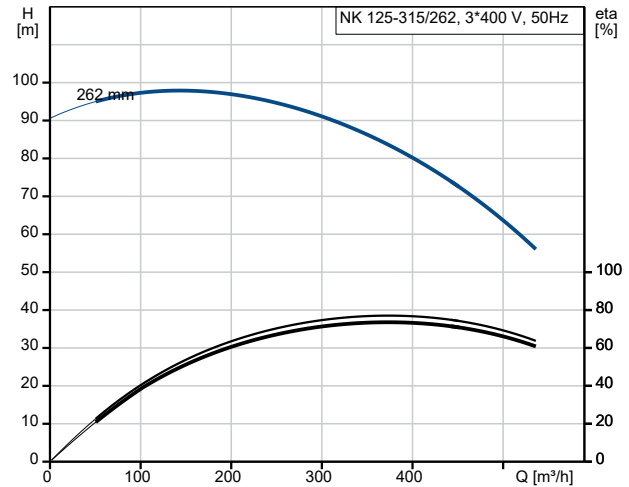
98972906 NK 125-315/262 AA2F2AESBQQE2W1 50 Hz



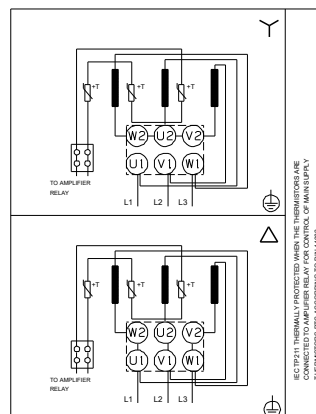
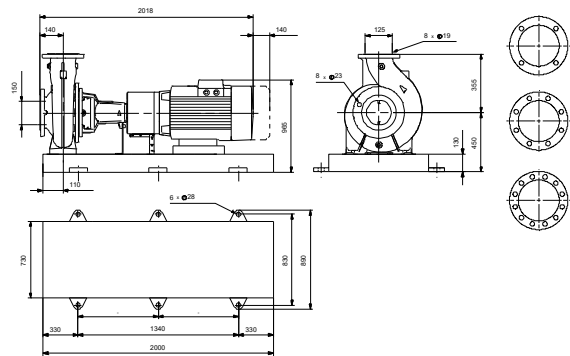
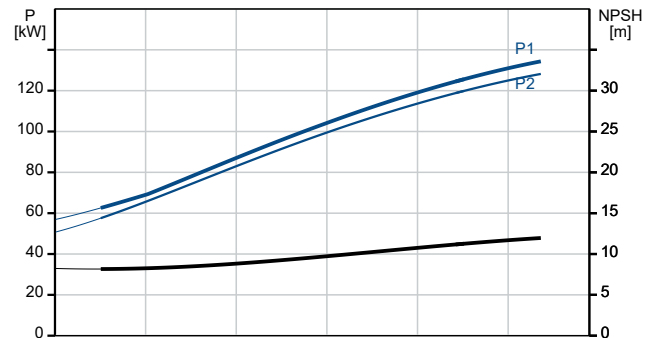
Pumped liquid = Water
 Liquid temperature during operation = 20 °C
 Density = 998.2 kg/m³



Description	Value
General information:	
Product name:	NK 125-315/262 AA2F2AESBQQE2W1
Product No:	98972906
EAN number:	5712604494547
Technical:	
Pump speed on which pump data are based:	2982 rpm
Rated flow:	382.4 m ³ /h
Pump with motor (Yes/No):	Y
Rated head:	82.26 m
Actual impeller diameter:	262 mm
Nominal impeller diameter:	315
Shaft diameter:	42 mm
Code for shaft seal:	BQQE
Mechanical seal type:	Single
Curve tolerance:	ISO9906:2012 3B
Pump version:	A2
Bearing design:	Standard
Materials:	
Pump housing:	Cast iron
Pump housing:	EN-GJL-250
Pump housing:	ASTM class 35
Wear ring:	Brass
Impeller:	Cast iron
Impeller:	EN-GJL-200
Impeller:	ASTM class 30
Internal pump house coating:	CED
Material code:	A
Code for rubber:	E
Shaft:	Stainless steel
Shaft:	EN 1.4301
Shaft:	AISI 304
Installation:	
t max amb:	55 °C
Maximum operating pressure:	16 bar
Pipe connection standard:	EN 1092-2
Type of inlet connection:	DIN
Type of outlet connection:	DIN
Size of inlet connection:	DN 150
Size of outlet connection:	DN 125
Pressure rating for connection:	PN 16
Coupling type:	Flexible w/spacer
Base frame design:	EN/ISO
Code for base frame:	10
Grouting (Yes/No):	Y
Connect code:	F
Liquid:	
Pumped liquid:	Water
Liquid temperature range:	-25 .. 120 °C
Selected liquid temperature:	20 °C
Density:	998.2 kg/m ³
Electrical data:	
Motor type:	SIEMENS
IE Efficiency class:	IE3
Rated power - P2:	132 kW
Mains frequency:	50 Hz
Rated voltage:	3 x 380-420D/660-725Y V
Rated current:	220/127 A



Pumped liquid = Water
Liquid temperature during operation = 20 °C
Density = 998.2 kg/m³





Company name:

Created by:

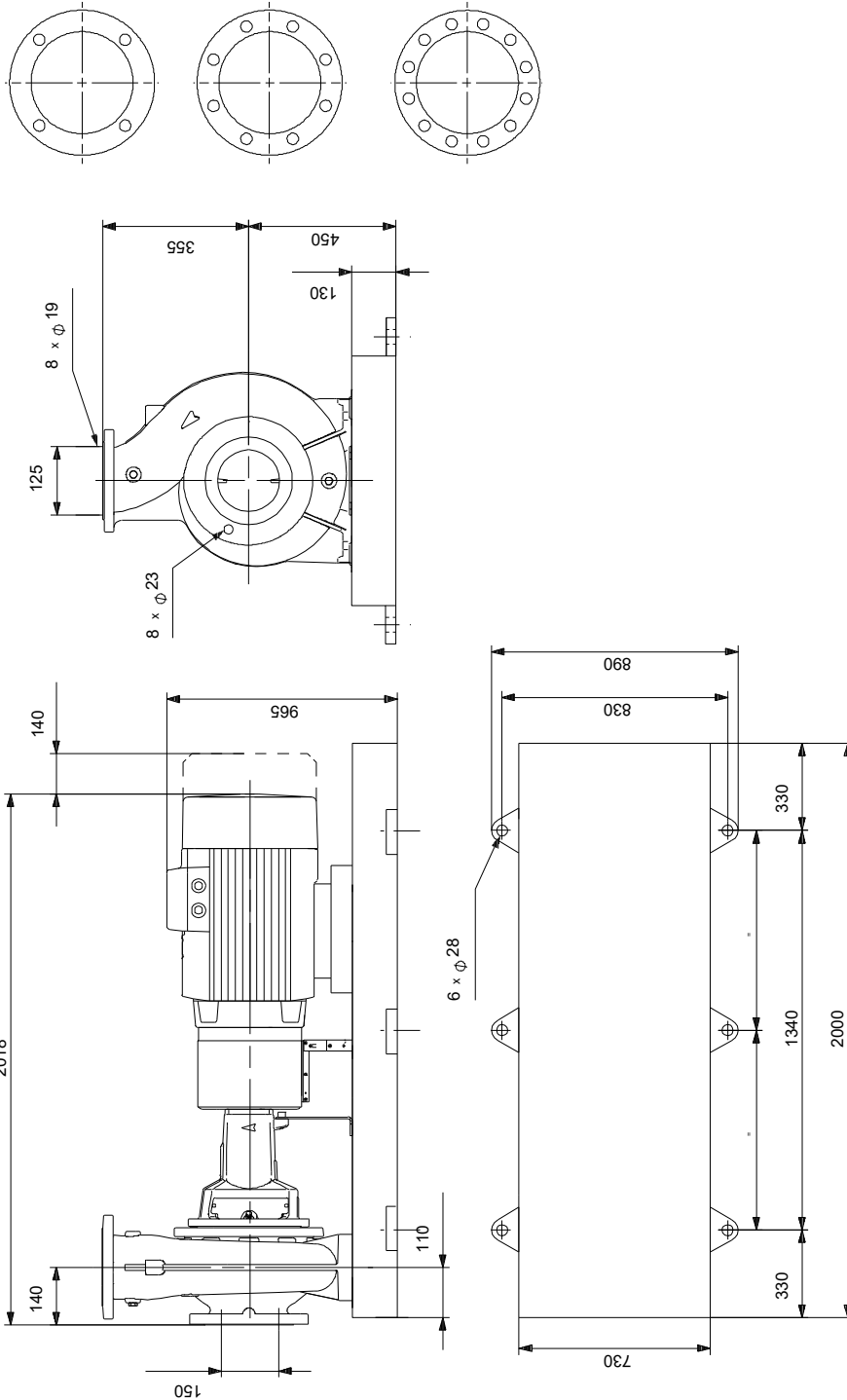
Phone:

Date:

28/12/2022

Description	Value
Starting current:	720-720 %
Cos phi - power factor:	0.91
Rated speed:	2982 rpm
Efficiency:	IE3 95,4%
Motor efficiency at full load:	95.4-95.4 %
Motor efficiency at 3/4 load:	95.5-95.5 %
Motor efficiency at 1/2 load:	95.2-95.2 %
Number of poles:	2
Enclosure class (IEC 34-5):	IP55
Insulation class (IEC 85):	F
Built-in motor protection:	PTC
Motor No:	98943383
Bearing insulation type N-end:	STEEL BEARING
Controls:	
Frequency converter:	NONE
Pressure sensor:	N
Others:	
Minimum efficiency index, MEI ≥:	0.62
Net weight:	1410 kg
Gross weight:	1510 kg
Shipping volume:	2.96 m ³

98972906 NK 125-315/262 AA2F2AESBQQE2W1 50 Hz



Note! All units are in [mm] unless others are stated.
Disclaimer: This simplified dimensional drawing does not show all details.

98972906 NK 125-315/262 AA2F2AESBQQE2W1 50 Hz



IEC TP211 THERMALLY PROTECTED WHEN THE THERMISTORS ARE
CONNECTED TO AMPLIFIER RELAY FOR CONTROL OF MAIN SUPPLY
THERMISTORS PTC ACCORDING TO DIN 44082

Note! All units are in [mm] unless others are stated.

