

**Qty. Description**

1 NK 125-500/406 AA2F2AESBQQEUW3



**Note! Product picture may differ from actual product**

Product No.: [98972382](#)

Non-self-priming, single-stage, centrifugal pump designed according to ISO 5199 with dimensions and rated performance according to EN 733. Flanges are PN 16 with dimensions according to EN 1092-2. The pump has an axial suction port, a radial discharge port and horizontal shaft. It is of the back pull-out design enabling removal of the coupling, bearing bracket and impeller without disturbing the motor, pump housing or pipework.

The unbalanced rubber bellows seal is according to DIN EN 12756.

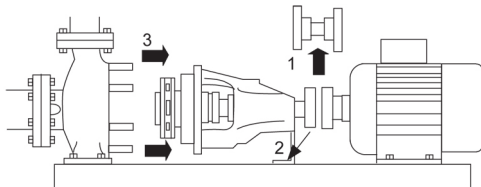
The pump is fitted with a foot-mounted, fan-cooled asynchronous motor. Pump and motor are mounted on a common base frame.

Pump and motor are mounted on a common steel base frame in accordance with ISO 3661.

The back pull-out design together with a spacer coupling makes it possible to service the pump without dismantling the pump housing and motor from the base frame.

This saves realignment of pump and motor after service.

- 1) Remove coupling.
- 2) Remove the bolts in the bearing bracket support foot.
- 3) Remove the bearing bracket from the pump housing.



## Pump

The pump is fitted with an unbalanced rubber bellows seal with torque transmission across the spring and around the bellows. Due to the bellows, the seal does not wear the shaft, and the axial movement is not prevented by deposits on the shaft.

{IMG Filename: GRALON\_NB-NK-G\_SHAFTSEAL\_Bxxx.gif }

Seal faces:

- Rotating seal ring material: silicon carbide (SiC)
- Stationary seat material: silicon carbide (SiC)

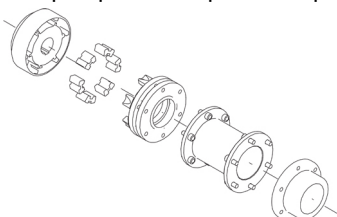
This material pairing is used where higher corrosion resistance is required. The high hardness of this material pairing offers good resistance against abrasive particles.

Secondary seal material: EPDM (ethylene-propylene rubber)

EPDM has excellent resistance to hot water. EPDM is not suitable for mineral oils.

The shaft is made of stainless steel and has a diameter of 60 mm where the coupling is mounted.

The pump uses a spacer coupling between the pump and motor shaft.



**Qty. Description**

1

**Motor**

The motor is a totally enclosed, fan-cooled motor with principal dimensions to IEC and DIN standards. Electrical tolerances comply with IEC 60034.

The motor efficiency is classified as IE3 in accordance with IEC 60034-30-1.

The motor has thermistors (PTC sensors) in the windings in accordance with DIN 44081/DIN 44082. The protection reacts to both slow- and quick-rising temperatures, e.g. constant overload and stalled conditions.

Thermal switches must be connected to an external control circuit in a way which ensures that the automatic reset cannot cause accidents. The motors must be connected to a motor-protective circuit breaker according to local regulations.

A variable speed drive makes adjustment of pump performance to any duty point possible. If the motor is to be connected to a variable speed drive, the pump must be ordered with an electrically insulated motor bearing.

**Further product details**

Cast-iron parts have an epoxy-based coating made in a cathodic electro-deposition (CED) process. CED is a high-quality dip-painting process where an electrical field around the products ensures deposition of paint particles as a thin, well-controlled layer on the surface.

**Technical data**

**Controls:**

Frequency converter: NONE

Pressure sensor: N

**Liquid:**

Pumped liquid: Water

Liquid temperature range: -25 .. 120 °C

Selected liquid temperature: 20 °C

Density: 998.2 kg/m<sup>3</sup>

**Technical:**

Pump speed on which pump data are based: 1482 rpm

Rated flow: 232.2 m<sup>3</sup>/h

Pump with motor (Yes/No): Y

Rated head: 52.96 m

Actual impeller diameter: 406 mm

Nominal impeller diameter: 500

Code for shaft seal: BQQE

Mechanical seal type: Single

Curve tolerance: ISO9906:2012 3B

Bearing design: Standard

**Materials:**

Pump housing: Cast iron  
EN-GJL-250  
ASTM class 35

Wear ring: Brass

Impeller: Cast iron  
EN-GJL-200  
ASTM class 30

Internal pump house coating: CED

Shaft: Stainless steel  
EN 1.4301  
AISI 304

**Installation:**

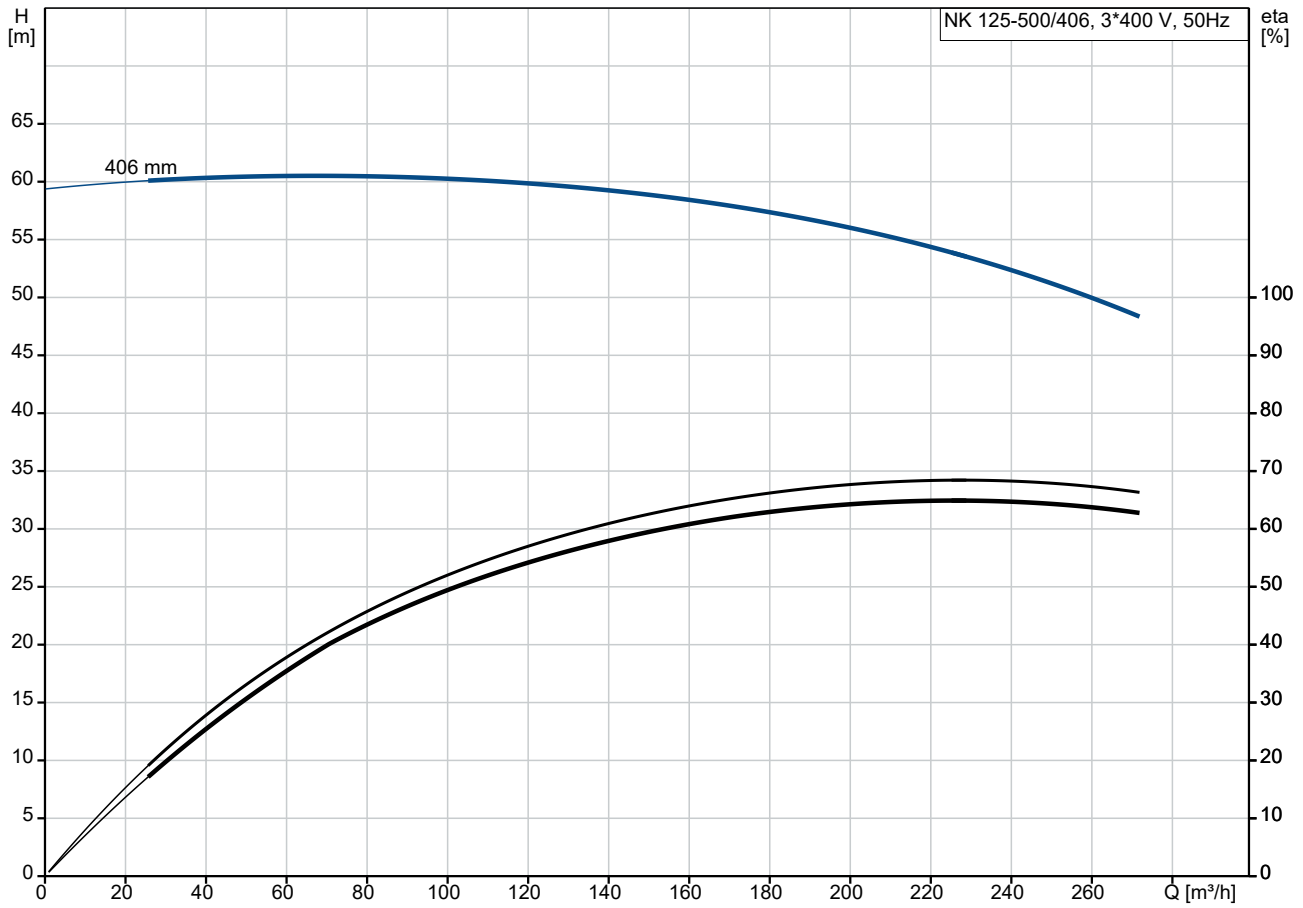
t max amb: 55 °C

Maximum operating pressure: 16 bar

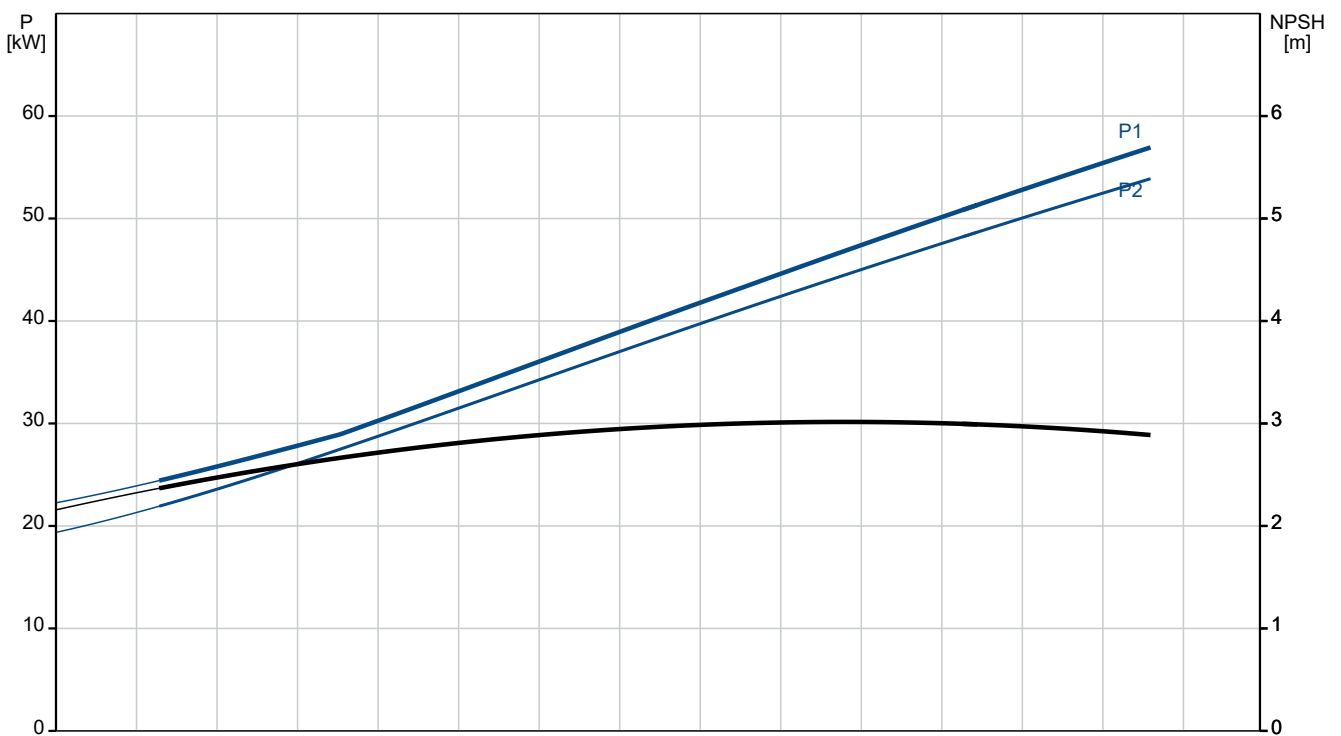
**Qty. Description**

1	<p>Pipe connection standard: EN 1092-2          Type of inlet connection: DIN          Type of outlet connection: DIN          Size of inlet connection: DN 150          Size of outlet connection: DN 125          Pressure rating for connection: PN 16          Coupling type: Flexible w/spacer          Base frame design: EN/ISO          Code for base frame: 10          Grouting (Yes/No): N</p> <p>Electrical data:          Motor type: SIEMENS          IE Efficiency class: IE3          Rated power - P2: 55 kW          Mains frequency: 50 Hz          Rated voltage: 3 x 380-420D/660-725Y V          Rated current: 96/56 A          Starting current: 680-680 %          Cos phi - power factor: 0.87          Rated speed: 1482 rpm          Efficiency: IE3 94,6%          Motor efficiency at full load: 94.6-94.6 %          Motor efficiency at 3/4 load: 95.1-95.1 %          Motor efficiency at 1/2 load: 95-95 %          Number of poles: 4          Enclosure class (IEC 34-5): IP55          Insulation class (IEC 85): F          Motor No: 98957823          Bearing insulation type N-end: STEEL BEARING</p> <p>Others:          Minimum efficiency index, MEI ≥: 0.46          Net weight: 1290 kg          Gross weight: 1330 kg          Shipping volume: 2.52 m<sup>3</sup></p>
---	---

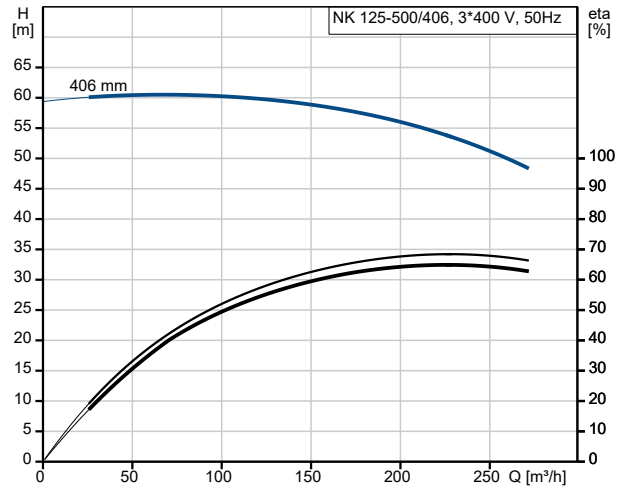
## 98972382 NK 125-500/406 AA2F2AESBQQEUW3 50 Hz



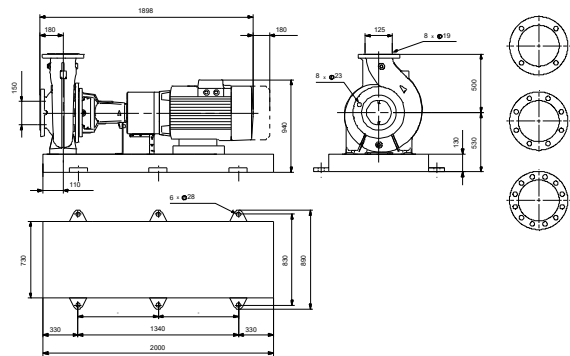
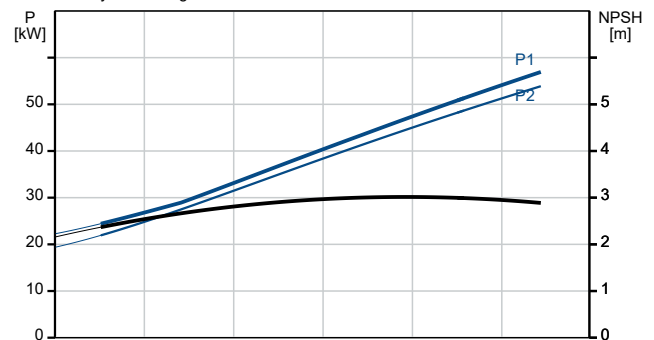
Pumped liquid = Water  
Liquid temperature during operation = 20 °C  
Density = 998.2 kg/m<sup>3</sup>



Description	Value
<b>General information:</b>	
Product name:	NK 125-500/406 AA2F2AESBQQEUW3
Product No:	98972382
EAN number:	5712604484173
<b>Technical:</b>	
Pump speed on which pump data are based:	1482 rpm
Rated flow:	232.2 m <sup>3</sup> /h
Pump with motor (Yes/No):	Y
Rated head:	52.96 m
Actual impeller diameter:	406 mm
Nominal impeller diameter:	500
Shaft diameter:	60 mm
Code for shaft seal:	BQQE
Mechanical seal type:	Single
Curve tolerance:	ISO9906:2012 3B
Pump version:	A2
Bearing design:	Standard
<b>Materials:</b>	
Pump housing:	Cast iron
Pump housing:	EN-GJL-250
Pump housing:	ASTM class 35
Wear ring:	Brass
Impeller:	Cast iron
Impeller:	EN-GJL-200
Impeller:	ASTM class 30
Internal pump house coating:	CED
Material code:	A
Code for rubber:	E
Shaft:	Stainless steel
Shaft:	EN 1.4301
Shaft:	AISI 304
<b>Installation:</b>	
t max amb:	55 °C
Maximum operating pressure:	16 bar
Pipe connection standard:	EN 1092-2
Type of inlet connection:	DIN
Type of outlet connection:	DIN
Size of inlet connection:	DN 150
Size of outlet connection:	DN 125
Pressure rating for connection:	PN 16
Coupling type:	Flexible w/spacer
Base frame design:	EN/ISO
Code for base frame:	10
Grouting (Yes/No):	N
Connect code:	F
<b>Liquid:</b>	
Pumped liquid:	Water
Liquid temperature range:	-25 .. 120 °C
Selected liquid temperature:	20 °C
Density:	998.2 kg/m <sup>3</sup>
<b>Electrical data:</b>	
Motor type:	SIEMENS
IE Efficiency class:	IE3
Rated power - P2:	55 kW
Mains frequency:	50 Hz
Rated voltage:	3 x 380-420D/660-725Y V
Rated current:	96/56 A



Pumped liquid = Water  
Liquid temperature during operation = 20 °C  
Density = 998.2 kg/m<sup>3</sup>





Company name:

Created by:

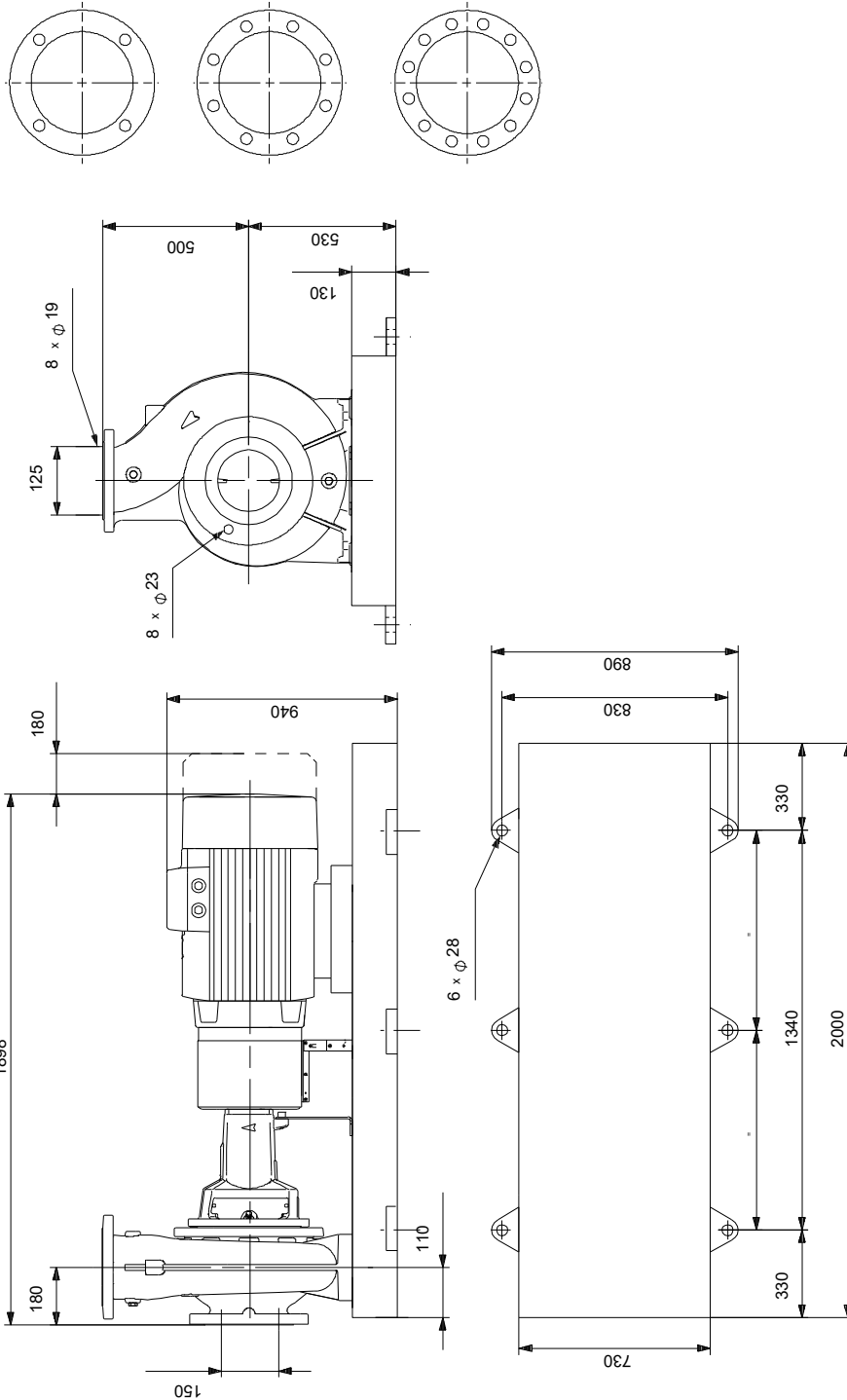
Phone:

Date:

28/12/2022

Description	Value
Starting current:	680-680 %
Cos phi - power factor:	0.87
Rated speed:	1482 rpm
Efficiency:	IE3 94,6%
Motor efficiency at full load:	94.6-94.6 %
Motor efficiency at 3/4 load:	95.1-95.1 %
Motor efficiency at 1/2 load:	95-95 %
Number of poles:	4
Enclosure class (IEC 34-5):	IP55
Insulation class (IEC 85):	F
Built-in motor protection:	PTC
Motor No:	98957823
Bearing insulation type N-end:	STEEL BEARING
<b>Controls:</b>	
Frequency converter:	NONE
Pressure sensor:	N
<b>Others:</b>	
Minimum efficiency index, MEI ≥:	0.46
Net weight:	1290 kg
Gross weight:	1330 kg
Shipping volume:	2.52 m <sup>3</sup>

## 98972382 NK 125-500/406 AA2F2AESBQQEUW3 50 Hz



Note! All units are in [mm] unless others are stated.  
 Disclaimer: This simplified dimensional drawing does not show all details.

## 98972382 NK 125-500/406 AA2F2AESBQQEUW3 50 Hz



IEC TP211 THERMALLY PROTECTED WHEN THE THERMISTORS ARE  
CONNECTED TO AMPLIFIER RELAY FOR CONTROL OF MAIN SUPPLY  
THERMISTORS PTC ACCORDING TO DIN 44082

Note! All units are in [mm] unless others are stated.



