

**Qty. Description**1 **NBE 150-200/224 AASF1AESBQQEOW3****Note! Product picture may differ from actual product**Product No.: [98762436](#)

Non-self-priming, single-stage, centrifugal volute pump designed according to ISO 5199 with dimensions and rated performance according to EN 733 (10 bar).

Flanges are PN 10 with dimensions according to EN 1092-2. The pump has an axial suction port, radial discharge port, horizontal shaft and a back pull-out design enabling removal of the motor, motor stool, cover and impeller without disturbing the pump housing or pipework.

The unbalanced rubber bellows seal is according to DIN EN 12756.

The pump is close-coupled to a fan-cooled asynchronous motor.

The motor includes a frequency converter and PI controller in the motor terminal box. This enables continuously variable control of the motor speed, which again enables adaptation of the performance to a given requirement.

**Controls:**

Frequency converter: Built-in

Pressure sensor: N

**Liquid:**

Pumped liquid: Water

Liquid temperature range: -25 .. 120 °C

Selected liquid temperature: 20 °C

Density: 998.2 kg/m<sup>3</sup>**Technical:**

Pump speed on which pump data are based: 1460 rpm

Rated flow: 399.7 m<sup>3</sup>/h

Rated head: 9.631 m

Actual impeller diameter: 224 mm

Nominal impeller diameter: 200

Shaft seal arrangement: Single

Code for shaft seal: BQQE

Curve tolerance: ISO9906:2012 3B

Bearing design: Standard

**Materials:**Pump housing: Cast iron  
EN-GJL-250  
ASTM class 35

Wear ring: Brass

Impeller: Cast iron  
EN-GJL-200  
ASTM class 30

Internal pump house coating: CED

Shaft: Stainless steel  
EN 1.4301  
AISI 304**Installation:**

Range of ambient temperature: -20 .. 40 °C

Maximum operating pressure: 10 bar

Pipe connection standard: EN 1092-2

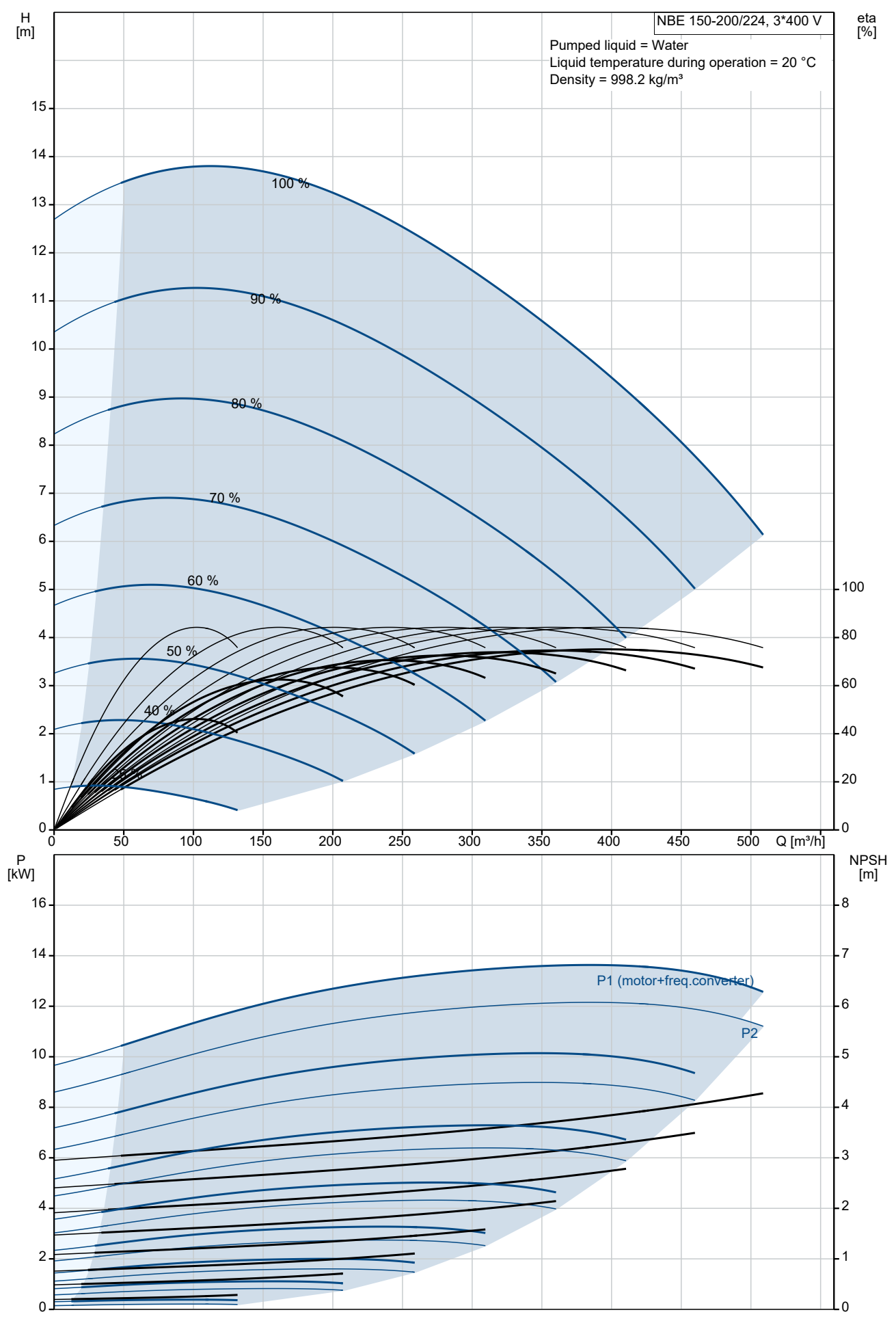
Size of inlet connection: DN 200

Size of outlet connection: DN 150

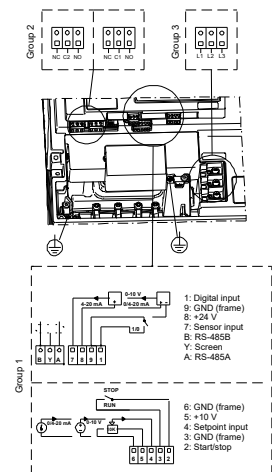
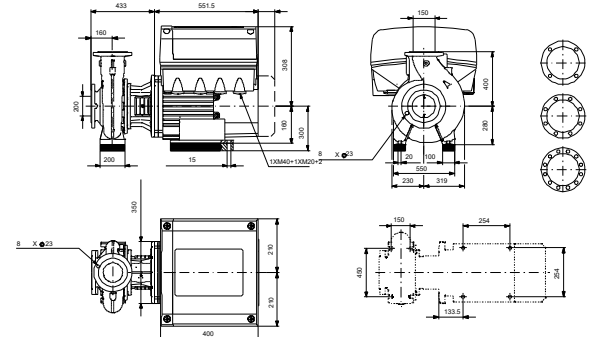
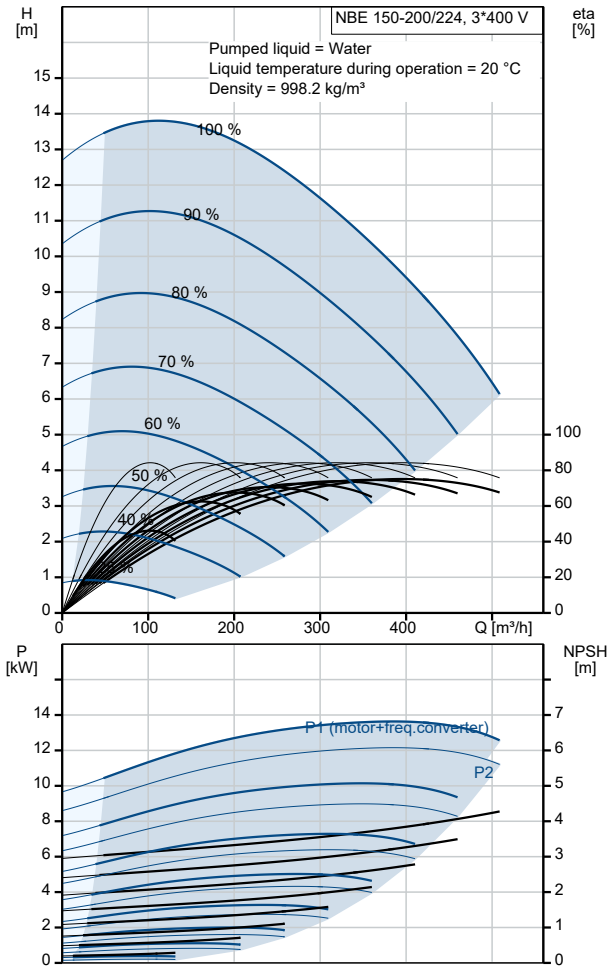
Pressure rating for connection: PN 10

Qty.	Description																																																		
1	<table border="0"> <tr> <td>Bearing lubrication:</td> <td>Grease</td> </tr> <tr> <td>Pump housing with feet:</td> <td>Yes</td> </tr> <tr> <td>Support block (Yes/No):</td> <td>Y</td> </tr> <tr> <td colspan="2">Electrical data:</td> </tr> <tr> <td>IE Efficiency class:</td> <td>IE3</td> </tr> <tr> <td>Rated power - P2:</td> <td>15 kW</td> </tr> <tr> <td>Mains frequency:</td> <td>50 Hz</td> </tr> <tr> <td>Rated voltage:</td> <td>3 x 380-480 V</td> </tr> <tr> <td>Rated current:</td> <td>29.0-25.4 A</td> </tr> <tr> <td>Cos phi - power factor:</td> <td>0.86-0.85</td> </tr> <tr> <td>Rated speed:</td> <td>240-1750 rpm</td> </tr> <tr> <td>Efficiency:</td> <td>IE3 92,1%</td> </tr> <tr> <td>Motor efficiency at full load:</td> <td>92.1 %</td> </tr> <tr> <td>Number of poles:</td> <td>4</td> </tr> <tr> <td>Enclosure class (IEC 34-5):</td> <td>IP55</td> </tr> <tr> <td>Insulation class (IEC 85):</td> <td>F</td> </tr> <tr> <td>Motor No:</td> <td>86906101</td> </tr> <tr> <td colspan="2">Others:</td> </tr> <tr> <td>Minimum efficiency index, MEI ≥:</td> <td>0.70</td> </tr> <tr> <td>Net weight:</td> <td>375 kg</td> </tr> <tr> <td>Gross weight:</td> <td>407 kg</td> </tr> <tr> <td>Shipping volume:</td> <td>0.951 m<sup>3</sup></td> </tr> <tr> <td>Danish VVS No.:</td> <td>386107203</td> </tr> <tr> <td>Country of origin:</td> <td>HU</td> </tr> <tr> <td>Custom tariff no.:</td> <td>84137051</td> </tr> </table>	Bearing lubrication:	Grease	Pump housing with feet:	Yes	Support block (Yes/No):	Y	Electrical data:		IE Efficiency class:	IE3	Rated power - P2:	15 kW	Mains frequency:	50 Hz	Rated voltage:	3 x 380-480 V	Rated current:	29.0-25.4 A	Cos phi - power factor:	0.86-0.85	Rated speed:	240-1750 rpm	Efficiency:	IE3 92,1%	Motor efficiency at full load:	92.1 %	Number of poles:	4	Enclosure class (IEC 34-5):	IP55	Insulation class (IEC 85):	F	Motor No:	86906101	Others:		Minimum efficiency index, MEI ≥:	0.70	Net weight:	375 kg	Gross weight:	407 kg	Shipping volume:	0.951 m <sup>3</sup>	Danish VVS No.:	386107203	Country of origin:	HU	Custom tariff no.:	84137051
Bearing lubrication:	Grease																																																		
Pump housing with feet:	Yes																																																		
Support block (Yes/No):	Y																																																		
Electrical data:																																																			
IE Efficiency class:	IE3																																																		
Rated power - P2:	15 kW																																																		
Mains frequency:	50 Hz																																																		
Rated voltage:	3 x 380-480 V																																																		
Rated current:	29.0-25.4 A																																																		
Cos phi - power factor:	0.86-0.85																																																		
Rated speed:	240-1750 rpm																																																		
Efficiency:	IE3 92,1%																																																		
Motor efficiency at full load:	92.1 %																																																		
Number of poles:	4																																																		
Enclosure class (IEC 34-5):	IP55																																																		
Insulation class (IEC 85):	F																																																		
Motor No:	86906101																																																		
Others:																																																			
Minimum efficiency index, MEI ≥:	0.70																																																		
Net weight:	375 kg																																																		
Gross weight:	407 kg																																																		
Shipping volume:	0.951 m <sup>3</sup>																																																		
Danish VVS No.:	386107203																																																		
Country of origin:	HU																																																		
Custom tariff no.:	84137051																																																		

# 98762436 NBE 150-200/224 AASF1AESBQQEOW3 50 Hz

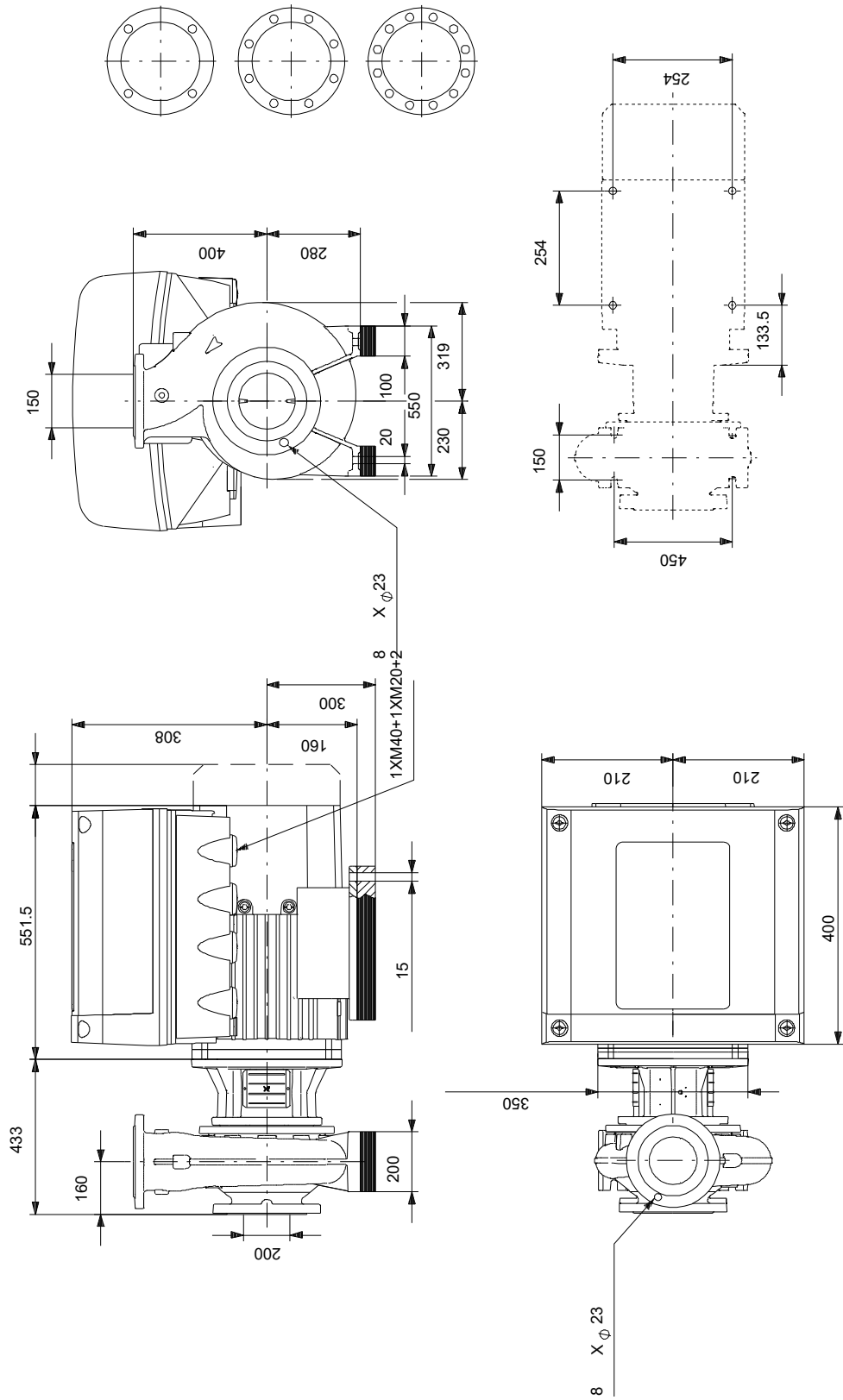


Description	Value
<b>General information:</b>	
Product name:	NBE 150-200/224 AASF1AESBQQEOW3
Product No:	98762436
EAN number:	5712601030960
<b>Technical:</b>	
Pump speed on which pump data are based:	1460 rpm
Rated flow:	399.7 m <sup>3</sup> /h
Rated head:	9.631 m
Actual impeller diameter:	224 mm
Nominal impeller diameter:	200
Shaft seal arrangement:	Single
Shaft diameter:	32 mm
Code for shaft seal:	BQQE
Curve tolerance:	ISO9906:2012 3B
Pump version:	AS
Bearing design:	Standard
<b>Materials:</b>	
Pump housing:	Cast iron
Pump housing:	EN-GJL-250
Pump housing:	ASTM class 35
Wear ring:	Brass
Impeller:	Cast iron
Impeller:	EN-GJL-200
Impeller:	ASTM class 30
Internal pump house coating:	CED
Material code:	A
Code for rubber:	E
Shaft:	Stainless steel
Shaft:	EN 1.4301
Shaft:	AISI 304
<b>Installation:</b>	
Range of ambient temperature:	-20 .. 40 °C
Maximum operating pressure:	10 bar
Pipe connection standard:	EN 1092-2
Size of inlet connection:	DN 200
Size of outlet connection:	DN 150
Pressure rating for connection:	PN 10
Bearing lubrication:	Grease
Pump housing with feet:	Yes
Support block (Yes/No):	Y
Connect code:	F1
<b>Liquid:</b>	
Pumped liquid:	Water
Liquid temperature range:	-25 .. 120 °C
Selected liquid temperature:	20 °C
Density:	998.2 kg/m <sup>3</sup>
<b>Electrical data:</b>	
IE Efficiency class:	IE3
Rated power - P2:	15 kW
Mains frequency:	50 Hz
Rated voltage:	3 x 380-480 V
Rated current:	29.0-25.4 A
Cos phi - power factor:	0.86-0.85
Rated speed:	240-1750 rpm
Efficiency:	IE3 92,1%
Motor efficiency at full load:	92.1 %
Number of poles:	4
Enclosure class (IEC 34-5):	IP55
Insulation class (IEC 85):	F
Built-in motor protection:	YES
Motor No:	86906101
Mount. design. acc. IEC 34-7:	IM B35



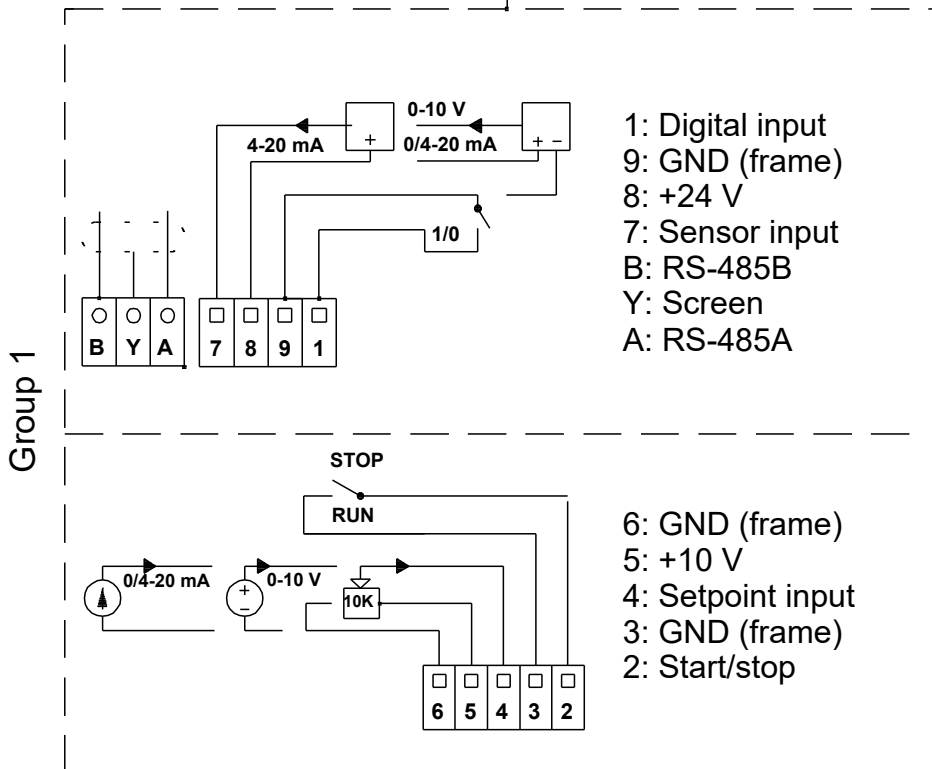
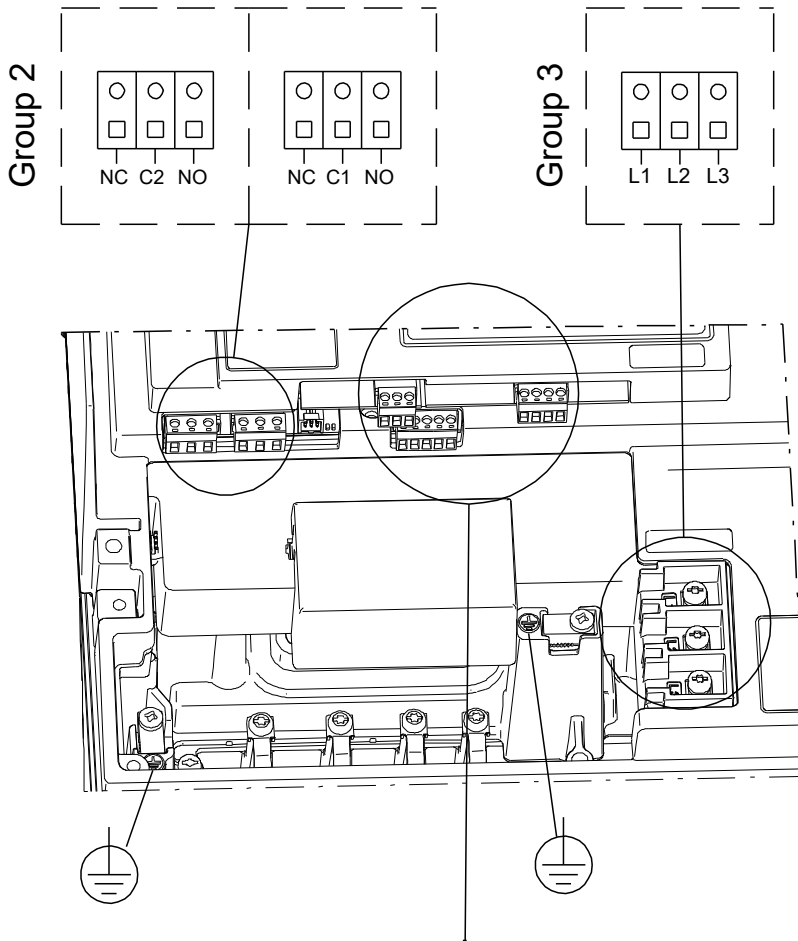
Description	Value
<b>Controls:</b>	
Control panel:	Standard
Function Module:	PUMP I/O
Frequency converter:	Built-in
Pressure sensor:	N
<b>Others:</b>	
Minimum efficiency index, MEI ≥:	0.70
Net weight:	375 kg
Gross weight:	407 kg
Shipping volume:	0.951 m <sup>3</sup>
Danish VVS No.:	386107203
Country of origin:	HU
Custom tariff no.:	84137051

# 98762436 NBE 150-200/224 AASF1AESBQQEOW3 50 Hz



Note! All units are in [mm] unless others are stated.  
 Disclaimer: This simplified dimensional drawing does not show all details.

# 98762436 NBE 150-200/224 AASF1AESBQQEOW3 50 Hz



Note! All units are in [mm] unless others are stated.

