

**Qty. Description**

1 NB 50-160/131 AAF2AESBQQEEW3

Product No.: [98667846](#)

Non-self-priming, single-stage, centrifugal volute pump designed according to ISO 5199 with dimensions and rated performance according to EN 733 (10 bar).

Flanges are PN 16 with dimensions according to EN 1092-2. The pump has an axial suction port, radial discharge port, horizontal shaft and a back pull-out design enabling removal of the motor, motor stool, cover and impeller without disturbing the pump housing or pipework.

The unbalanced rubber bellows seal is according to DIN EN 12756.

The pump is close-coupled to a fan-cooled asynchronous motor.

The product's minimum efficiency index (MEI) is greater or equal to 0.70. This is by the Commission Regulation (EU) considered as an indicative benchmark for best-performing water pump available on the market as from 1 January 2013.

The back pull-out design means that the pump can be serviced by a single person without disturbing the pump housing or pipes.



Cast-iron parts have an epoxy-based coating made in a cathodic electro-deposition (CED) process. CED is a high-quality dip-painting process where an electrical field around the products ensures deposition of paint particles as a thin, well-controlled layer on the surface.

## Pump

The pump housing has both a priming and a drain hole closed by plugs. The impeller is a closed impeller with double-curved blades with smooth surfaces. The impeller is statically balanced according to ISO 1940-1 class G6.3 and hydraulically balanced to compensate for axial thrust.

Wear rings used in pump housing and for impeller are made of bronze/brass.

Motor stool and pump cover are made of cast iron (EN-GJL-250). Coupling guards are fitted to the motor stool. The pump cover is provided with a manual air vent screw for venting of the pump housing and the shaft seal chamber.

The pump is fitted with an unbalanced rubber bellows seal with torque transmission across the spring and around the bellows. Due to the bellows, the seal does not wear the shaft, and the axial movement is not prevented by deposits on the shaft.

Seal faces:

- Rotating seal ring material: silicon carbide (SiC)
- Stationary seat material: silicon carbide (SiC)

This material pairing is used where higher corrosion resistance is required. The high hardness of this material pairing offers good resistance against abrasive particles.

Secondary seal material: EPDM (ethylene-propylene rubber)

EPDM has excellent resistance to hot water. EPDM is not suitable for mineral oils.

The pump housing has feet.

## Motor

Qty.	Description
1	<p>The motor is a totally enclosed, fan-cooled motor with principal dimensions to IEC and DIN standards. Electrical tolerances comply with IEC 60034.</p> <p>The motor efficiency is classified as IE3 in accordance with IEC 60034-30-1.</p> <p>The motor does not incorporate motor protection and must be connected to a motor-protective circuit breaker which can be manually reset. The motor-protective circuit breaker must be set according to the rated current of the motor (I1/1).</p> <p><b>Further product details</b></p> <p>Cast-iron parts have an epoxy-based coating made in a cathodic electro-deposition (CED) process. CED is a high-quality dip-painting process where an electrical field around the products ensures deposition of paint particles as a thin, well-controlled layer on the surface.</p> <p><b>Technical data</b></p> <p>Controls:</p> <p>Frequency converter: NONE</p> <p>Pressure sensor: N</p> <p>Liquid:</p> <p>Pumped liquid: Water</p> <p>Liquid temperature range: -25 .. 120 °C</p> <p>Selected liquid temperature: 20 °C</p> <p>Density: 998.2 kg/m<sup>3</sup></p> <p>Technical:</p> <p>Pump speed on which pump data are based: 1440 rpm</p> <p>Rated flow: 31.58 m<sup>3</sup>/h</p> <p>Rated head: 4.734 m</p> <p>Actual impeller diameter: 131 mm</p> <p>Nominal impeller diameter: 160</p> <p>Shaft seal arrangement: Single</p> <p>Code for shaft seal: BQQE</p> <p>Curve tolerance: ISO9906:2012 3B2</p> <p>Bearing design: Standard</p> <p>Materials:</p> <p>Pump housing: Cast iron EN-GJL-250 ASTM class 35</p> <p>Wear ring: Brass</p> <p>Impeller: Cast iron EN-GJL-200 ASTM class 30</p> <p>Internal pump house coating: CED</p> <p>Shaft: Stainless steel EN 1.4301 AISI 304</p> <p>Installation:</p> <p>t max amb: 55 °C</p> <p>Maximum operating pressure: 16 bar</p> <p>Pipe connection standard: EN 1092-2</p> <p>Size of inlet connection: DN 65</p> <p>Size of outlet connection: DN 50</p> <p>Pressure rating for connection: PN 16</p> <p>Bearing lubrication: Grease</p> <p>Pump housing with feet: Yes</p>

Qty.	Description
1	<p data-bbox="201 331 1466 365">Support block (Yes/No): N</p> <p data-bbox="201 398 1466 432">Electrical data:</p> <p data-bbox="201 432 1466 465">Motor type: SIEMENS</p> <p data-bbox="201 465 1466 499">IE Efficiency class: IE3</p> <p data-bbox="201 499 1466 533">Rated power - P2: 0.55 kW</p> <p data-bbox="201 533 1466 566">Mains frequency: 50 Hz</p> <p data-bbox="201 566 1466 600">Rated voltage: 3 x 220-240D/380-420Y V</p> <p data-bbox="201 600 1466 633">Rated current: 2.2/1.26 A</p> <p data-bbox="201 633 1466 667">Starting current: 590-590 %</p> <p data-bbox="201 667 1466 701">Cos phi - power factor: 0.78</p> <p data-bbox="201 701 1466 734">Rated speed: 1440 rpm</p> <p data-bbox="201 734 1466 768">Efficiency: IE3 80,8%</p> <p data-bbox="201 768 1466 801">Motor efficiency at full load: 80.8-80.8 %</p> <p data-bbox="201 801 1466 835">Motor efficiency at 3/4 load: 81.1-81.1 %</p> <p data-bbox="201 835 1466 869">Motor efficiency at 1/2 load: 79.3-79.3 %</p> <p data-bbox="201 869 1466 902">Number of poles: 4</p> <p data-bbox="201 902 1466 936">Enclosure class (IEC 34-5): IP55</p> <p data-bbox="201 936 1466 969">Insulation class (IEC 85): F</p> <p data-bbox="201 969 1466 1003">Motor No: 99900485</p> <p data-bbox="201 1003 1466 1037">Bearing insulation type N-end: N</p> <p data-bbox="201 1070 1466 1104">Others:</p> <p data-bbox="201 1104 1466 1137">Minimum efficiency index, MEI ≥: 0.70</p> <p data-bbox="201 1137 1466 1171">Net weight: 40 kg</p> <p data-bbox="201 1171 1466 1205">Gross weight: 50 kg</p> <p data-bbox="201 1205 1466 1238">Shipping volume: 0.134 m<sup>3</sup></p> <p data-bbox="201 1238 1466 1272">Danish VVS No.: 386062161</p> <p data-bbox="201 1272 1466 1305">Country of origin: HU</p> <p data-bbox="201 1305 1466 1339">Custom tariff no.: 84137051</p>



Company name: Pump Sales Direct

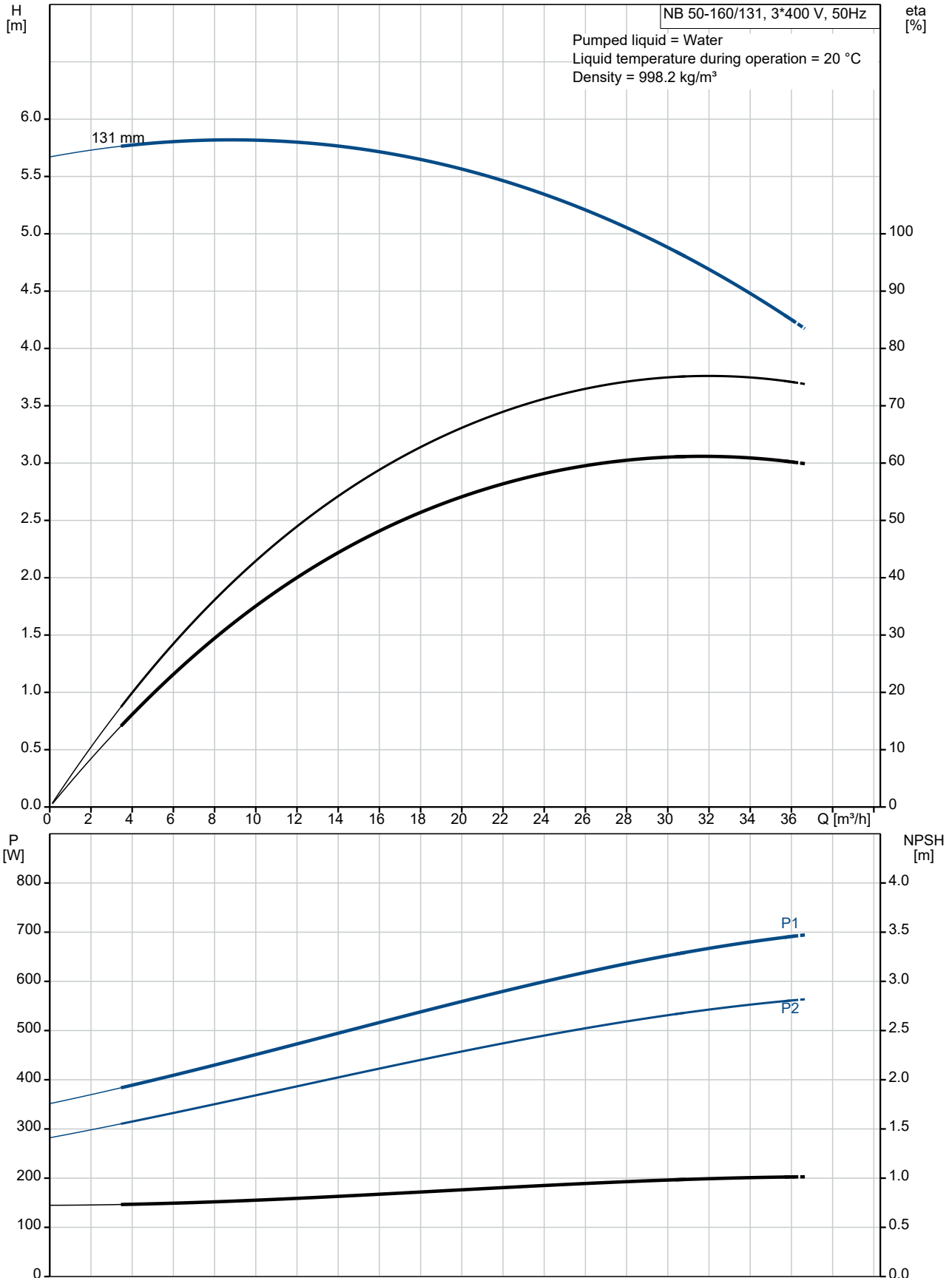
Created by:

Phone:

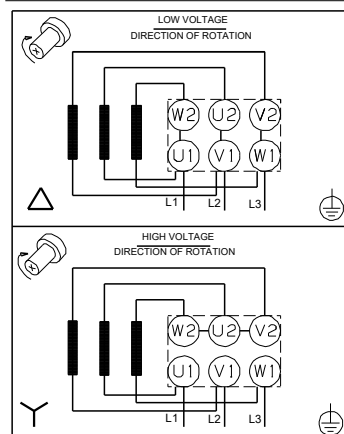
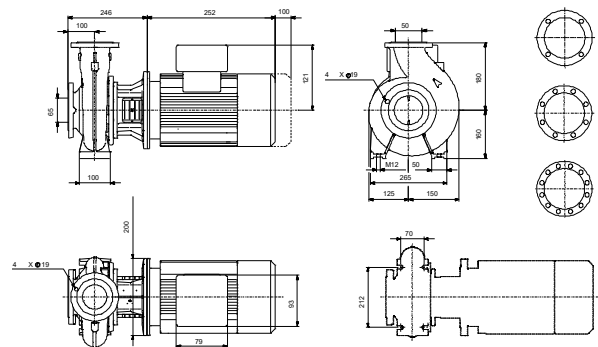
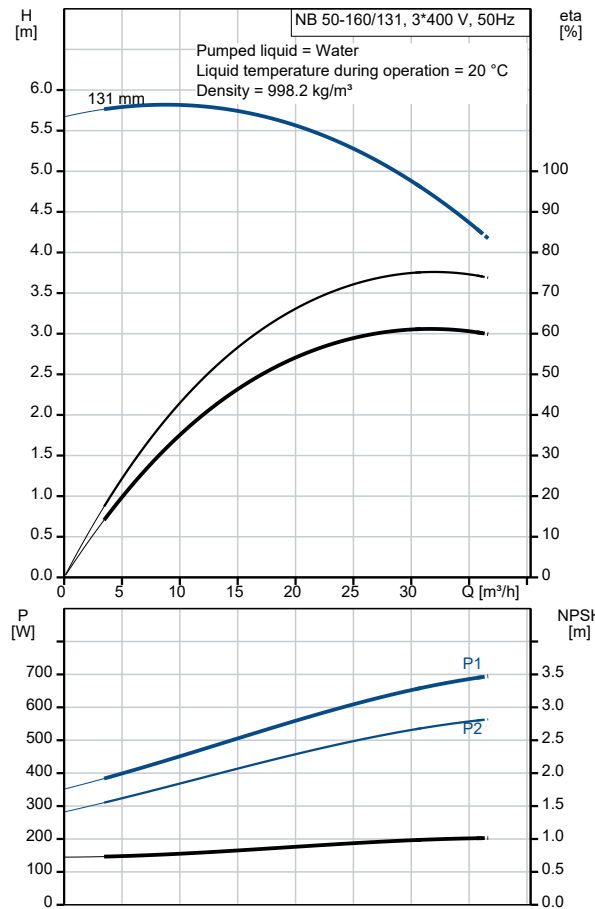
Date:

15/08/2022

### 98667846 NB 50-160/131 AAF2AESBQQEEW3 50 Hz



Description	Value
<b>General information:</b>	
Product name:	NB 50-160/131 AAF2AESBQQEEW3
Product No:	98667846
EAN number:	5711499257008
<b>Technical:</b>	
Pump speed on which pump data are based:	1440 rpm
Rated flow:	31.58 m <sup>3</sup> /h
Rated head:	4.734 m
Actual impeller diameter:	131 mm
Nominal impeller diameter:	160
Shaft seal arrangement:	Single
Shaft diameter:	24 mm
Code for shaft seal:	BQQE
Curve tolerance:	ISO9906:2012 3B2
Pump version:	A
Bearing design:	Standard
<b>Materials:</b>	
Pump housing:	Cast iron
Pump housing:	EN-GJL-250
Pump housing:	ASTM class 35
Wear ring:	Brass
Impeller:	Cast iron
Impeller:	EN-GJL-200
Impeller:	ASTM class 30
Internal pump house coating:	CED
Material code:	A
Code for rubber:	E
Shaft:	Stainless steel
Shaft:	EN 1.4301
Shaft:	AISI 304
<b>Installation:</b>	
t max amb:	55 °C
Maximum operating pressure:	16 bar
Pipe connection standard:	EN 1092-2
Size of inlet connection:	DN 65
Size of outlet connection:	DN 50
Pressure rating for connection:	PN 16
Bearing lubrication:	Grease
Pump housing with feet:	Yes
Support block (Yes/No):	N
Connect code:	F2
<b>Liquid:</b>	
Pumped liquid:	Water
Liquid temperature range:	-25 .. 120 °C
Selected liquid temperature:	20 °C
Density:	998.2 kg/m <sup>3</sup>
<b>Electrical data:</b>	
Motor type:	SIEMENS
IE Efficiency class:	IE3
Rated power - P2:	0.55 kW
Mains frequency:	50 Hz
Rated voltage:	3 x 220-240D/380-420Y V
Rated current:	2.2/1.26 A
Starting current:	590-590 %
Cos phi - power factor:	0.78
Rated speed:	1440 rpm
Efficiency:	IE3 80,8%





Company name: Pump Sales Direct

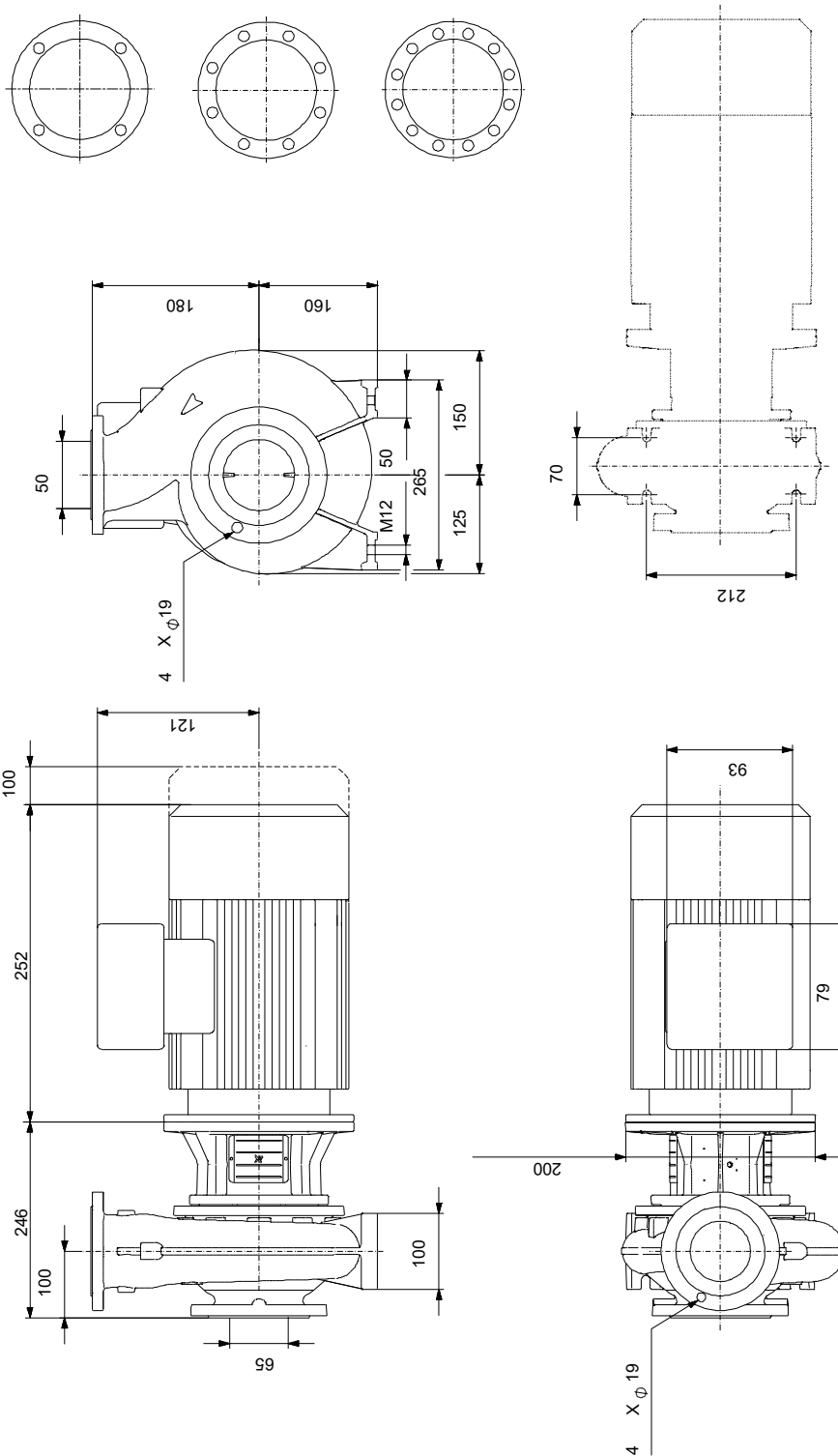
Created by:

Phone:

Date: 15/08/2022

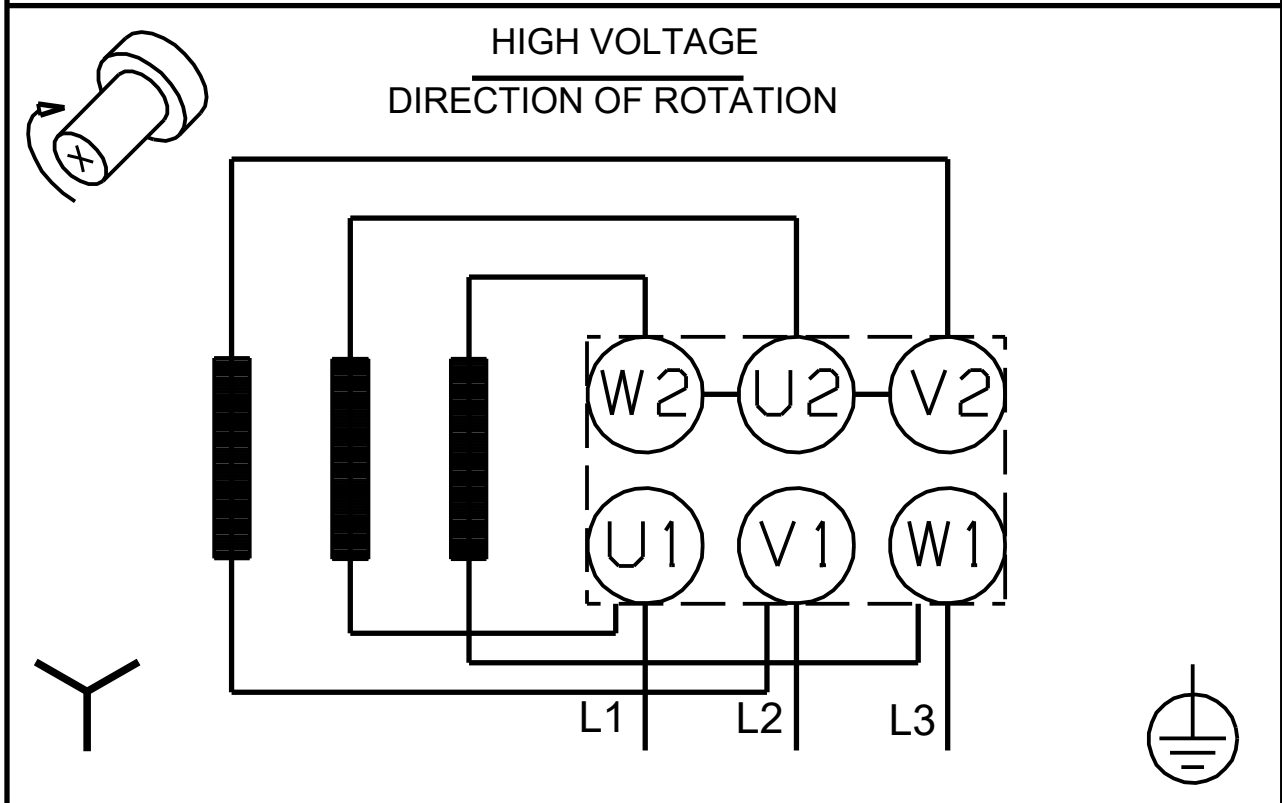
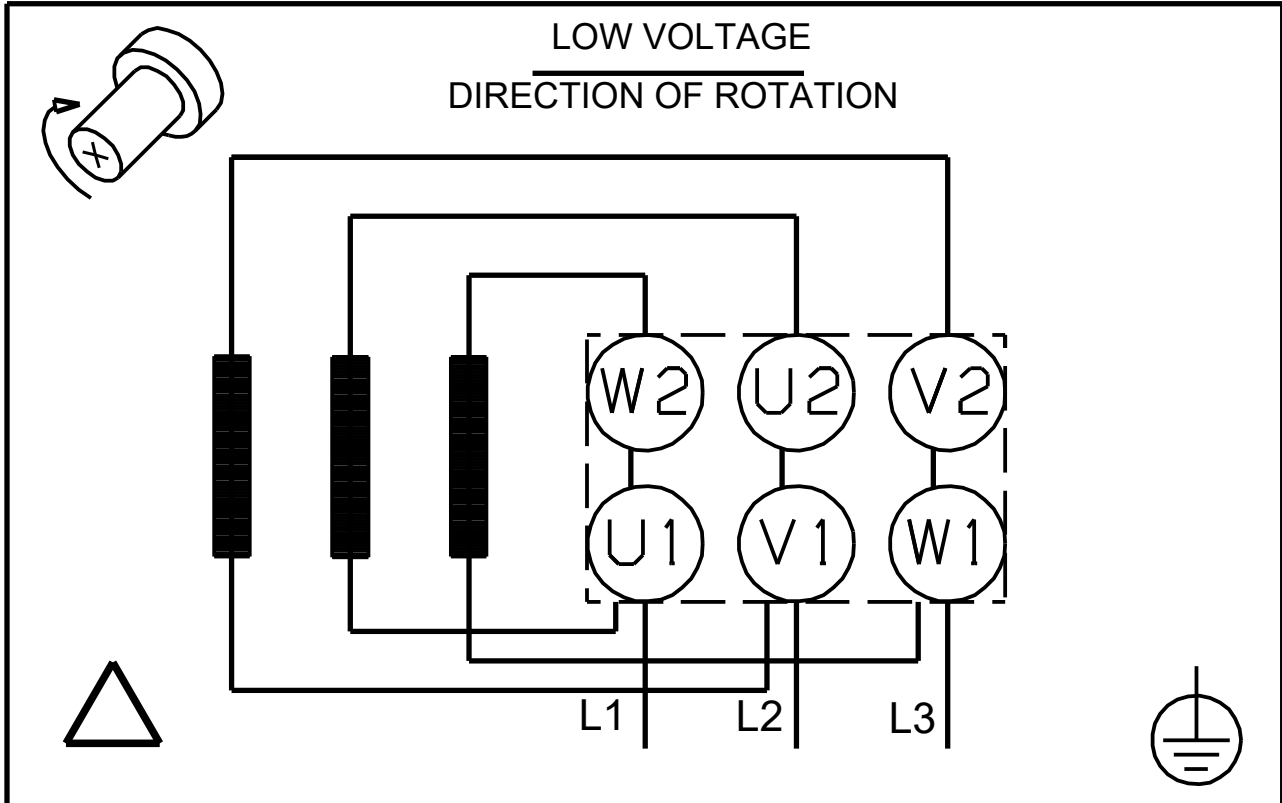
Description	Value
Motor efficiency at full load:	80.8-80.8 %
Motor efficiency at 3/4 load:	81.1-81.1 %
Motor efficiency at 1/2 load:	79.3-79.3 %
Number of poles:	4
Enclosure class (IEC 34-5):	IP55
Insulation class (IEC 85):	F
Built-in motor protection:	NONE
Motor No:	99900485
Mount. design. acc. IEC 34-7:	IM V1
Bearing insulation type N-end:	N
<b>Controls:</b>	
Frequency converter:	NONE
Pressure sensor:	N
<b>Others:</b>	
Minimum efficiency index, MEI $\geq$ :	0.70
Net weight:	40 kg
Gross weight:	50 kg
Shipping volume:	0.134 m <sup>3</sup>
Danish VVS No.:	386062161
Country of origin:	HU
Custom tariff no.:	84137051

## 98667846 NB 50-160/131 AAF2AESBQQEEW3 50 Hz



Note! All units are in [mm] unless others are stated.  
 Disclaimer: This simplified dimensional drawing does not show all details.

**98667846 NB 50-160/131 AAF2AESBQQEEW3 50 Hz**



Note! All units are in [mm] unless others are stated.



