
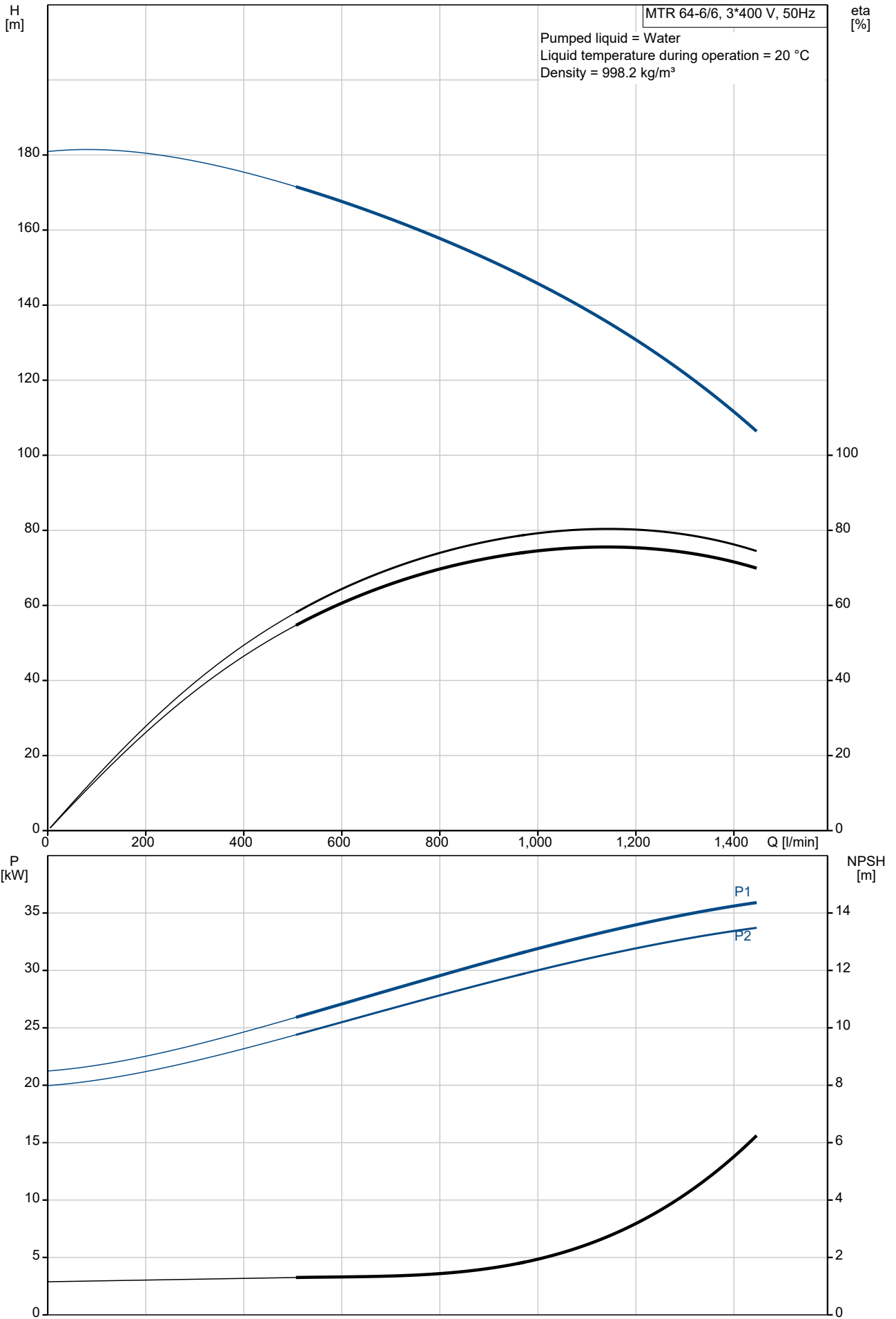


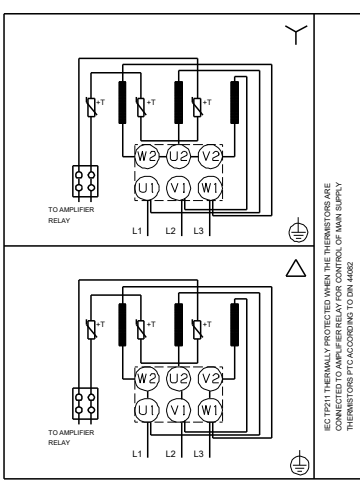
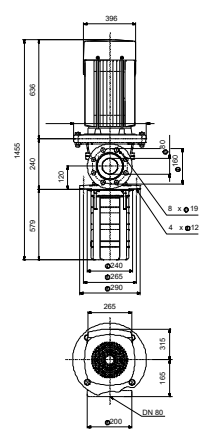
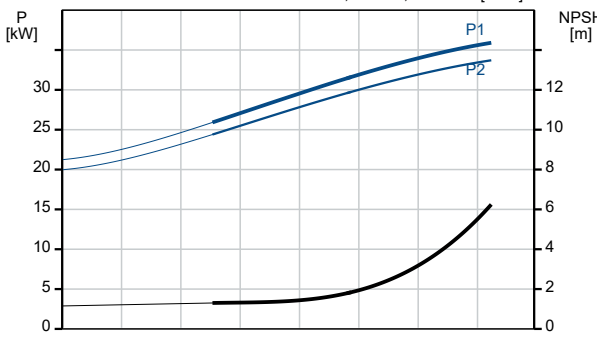
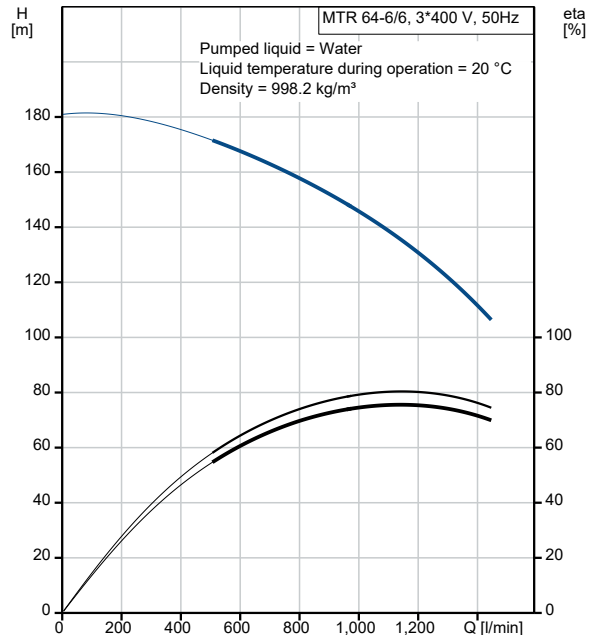
Qty.	Description
1	<p data-bbox="204 163 480 185">MTR 64-6/6 A-F-A-HUUV</p>  <p data-bbox="204 483 480 506">Product No.: On request</p> <p data-bbox="204 546 1430 618">Multistage, immersible, self-priming, centrifugal pump for vertical installation in tanks etc. The pump head and base are in cast iron – all other wetted parts are in stainless steel. The pump has the following characteristics:</p> <ul data-bbox="240 633 1115 745" style="list-style-type: none"> • Dimensions according to DIN 5440. • Impellers, intermediate chambers and spline shaft are made of Stainless steel. • Mechanical shaft seal according to EN 12756. • Power transmission via sintered metal split coupling. <p data-bbox="204 752 1430 797">A cartridge shaft seal ensures high reliability, safe handling, and easy access and service. The pump is fitted with a 3-phase, fan-cooled asynchronous motor.</p> <p data-bbox="204 837 300 860">Controls:</p> <p data-bbox="204 866 636 889">Frequency converter: NONE</p> <p data-bbox="204 929 276 952">Liquid:</p> <p data-bbox="204 958 632 981">Pumped liquid: Water</p> <p data-bbox="204 987 691 1010">Liquid temperature range: -10 .. 90 °C</p> <p data-bbox="204 1016 632 1039">Selected liquid temperature: 20 °C</p> <p data-bbox="204 1046 695 1068">Density: 998.2 kg/m³</p> <p data-bbox="204 1108 316 1131">Technical:</p> <p data-bbox="204 1137 818 1160">Pump speed on which pump data are based: 2957 rpm</p> <p data-bbox="204 1167 679 1189">Rated flow: 1070 l/min</p> <p data-bbox="204 1196 655 1218">Rated head: 139.4 m</p> <p data-bbox="204 1225 579 1247">Chambers: 6</p> <p data-bbox="204 1254 579 1276">Drainage back to tank: N</p> <p data-bbox="204 1283 647 1305">Pump orientation: Vertical</p> <p data-bbox="204 1312 636 1335">Code for shaft seal: HUUV</p> <p data-bbox="204 1341 663 1364">Approvals: CE, EAC</p> <p data-bbox="204 1370 759 1393">Curve tolerance: ISO9906:2012 3B</p> <p data-bbox="204 1433 308 1456">Materials:</p> <p data-bbox="204 1462 802 1543">Pump head: Cast iron EN 1561 EN-GJL-200 ASTM A48-25B</p> <p data-bbox="204 1550 722 1630">Impeller: Stainless steel EN 1.4301 AISI 304</p> <p data-bbox="204 1671 325 1693">Installation:</p> <p data-bbox="204 1700 628 1722">t max amb: 55 °C</p> <p data-bbox="204 1729 636 1751">Maximum operating pressure: 25 bar</p> <p data-bbox="204 1758 716 1780">Max pressure at stated temp: 25 bar / 90 °C</p> <p data-bbox="204 1787 608 1809">Type of connection: DIN</p> <p data-bbox="204 1816 636 1839">Size of outlet connection: DN 80</p> <p data-bbox="204 1845 655 1868">Immersion depth: 579 mm</p> <p data-bbox="204 1874 636 1897">Pressure rating for connection: PN 40</p> <p data-bbox="204 1904 636 1926">Flange size for motor: FF350</p> <p data-bbox="204 1966 363 1989">Electrical data:</p> <p data-bbox="204 1995 608 2018">Motor standard: IEC</p> <p data-bbox="204 2024 676 2047">Motor type: SIEMENS</p> <p data-bbox="204 2054 604 2076">IE Efficiency class: IE3</p>

Qty.	Description																																																		
1	<table> <tr> <td>Rated power - P2:</td> <td>37 kW</td> </tr> <tr> <td>Mains frequency:</td> <td>50 Hz</td> </tr> <tr> <td>Suitable for 50/60 Hz:</td> <td>N</td> </tr> <tr> <td>Rated voltage:</td> <td>3 x 380-420D/660-725Y V</td> </tr> <tr> <td>Rated current:</td> <td>65/37.5 A</td> </tr> <tr> <td>Starting current:</td> <td>710-710 %</td> </tr> <tr> <td>Cos phi - power factor:</td> <td>0.88</td> </tr> <tr> <td>Rated speed:</td> <td>2955 rpm</td> </tr> <tr> <td>Efficiency:</td> <td>IE3 93,7%</td> </tr> <tr> <td>Motor efficiency at full load:</td> <td>93.7-93.7 %</td> </tr> <tr> <td>Motor efficiency at 3/4 load:</td> <td>94.2-94.2 %</td> </tr> <tr> <td>Motor efficiency at 1/2 load:</td> <td>94.0-94.0 %</td> </tr> <tr> <td>Number of poles:</td> <td>2</td> </tr> <tr> <td>Enclosure class (IEC 34-5):</td> <td>IP55</td> </tr> <tr> <td>Insulation class (IEC 85):</td> <td>F</td> </tr> <tr> <td>Motor No:</td> <td>81U15334</td> </tr> <tr> <td colspan="2">Others:</td> </tr> <tr> <td>Terminal box position:</td> <td>6</td> </tr> <tr> <td>Minimum efficiency index, MEI ≥:</td> <td>0.70</td> </tr> <tr> <td>Net weight:</td> <td>313 kg</td> </tr> <tr> <td>Gross weight:</td> <td>370 kg</td> </tr> <tr> <td>Shipping volume:</td> <td>1.12 m³</td> </tr> <tr> <td>Danish VVS No.:</td> <td>386971006</td> </tr> <tr> <td>Country of origin:</td> <td>HU</td> </tr> <tr> <td>Custom tariff no.:</td> <td>84137075</td> </tr> </table>	Rated power - P2:	37 kW	Mains frequency:	50 Hz	Suitable for 50/60 Hz:	N	Rated voltage:	3 x 380-420D/660-725Y V	Rated current:	65/37.5 A	Starting current:	710-710 %	Cos phi - power factor:	0.88	Rated speed:	2955 rpm	Efficiency:	IE3 93,7%	Motor efficiency at full load:	93.7-93.7 %	Motor efficiency at 3/4 load:	94.2-94.2 %	Motor efficiency at 1/2 load:	94.0-94.0 %	Number of poles:	2	Enclosure class (IEC 34-5):	IP55	Insulation class (IEC 85):	F	Motor No:	81U15334	Others:		Terminal box position:	6	Minimum efficiency index, MEI ≥:	0.70	Net weight:	313 kg	Gross weight:	370 kg	Shipping volume:	1.12 m ³	Danish VVS No.:	386971006	Country of origin:	HU	Custom tariff no.:	84137075
Rated power - P2:	37 kW																																																		
Mains frequency:	50 Hz																																																		
Suitable for 50/60 Hz:	N																																																		
Rated voltage:	3 x 380-420D/660-725Y V																																																		
Rated current:	65/37.5 A																																																		
Starting current:	710-710 %																																																		
Cos phi - power factor:	0.88																																																		
Rated speed:	2955 rpm																																																		
Efficiency:	IE3 93,7%																																																		
Motor efficiency at full load:	93.7-93.7 %																																																		
Motor efficiency at 3/4 load:	94.2-94.2 %																																																		
Motor efficiency at 1/2 load:	94.0-94.0 %																																																		
Number of poles:	2																																																		
Enclosure class (IEC 34-5):	IP55																																																		
Insulation class (IEC 85):	F																																																		
Motor No:	81U15334																																																		
Others:																																																			
Terminal box position:	6																																																		
Minimum efficiency index, MEI ≥:	0.70																																																		
Net weight:	313 kg																																																		
Gross weight:	370 kg																																																		
Shipping volume:	1.12 m ³																																																		
Danish VVS No.:	386971006																																																		
Country of origin:	HU																																																		
Custom tariff no.:	84137075																																																		

On request MTR 64-6/6 A-F-A-HUUV 50 Hz

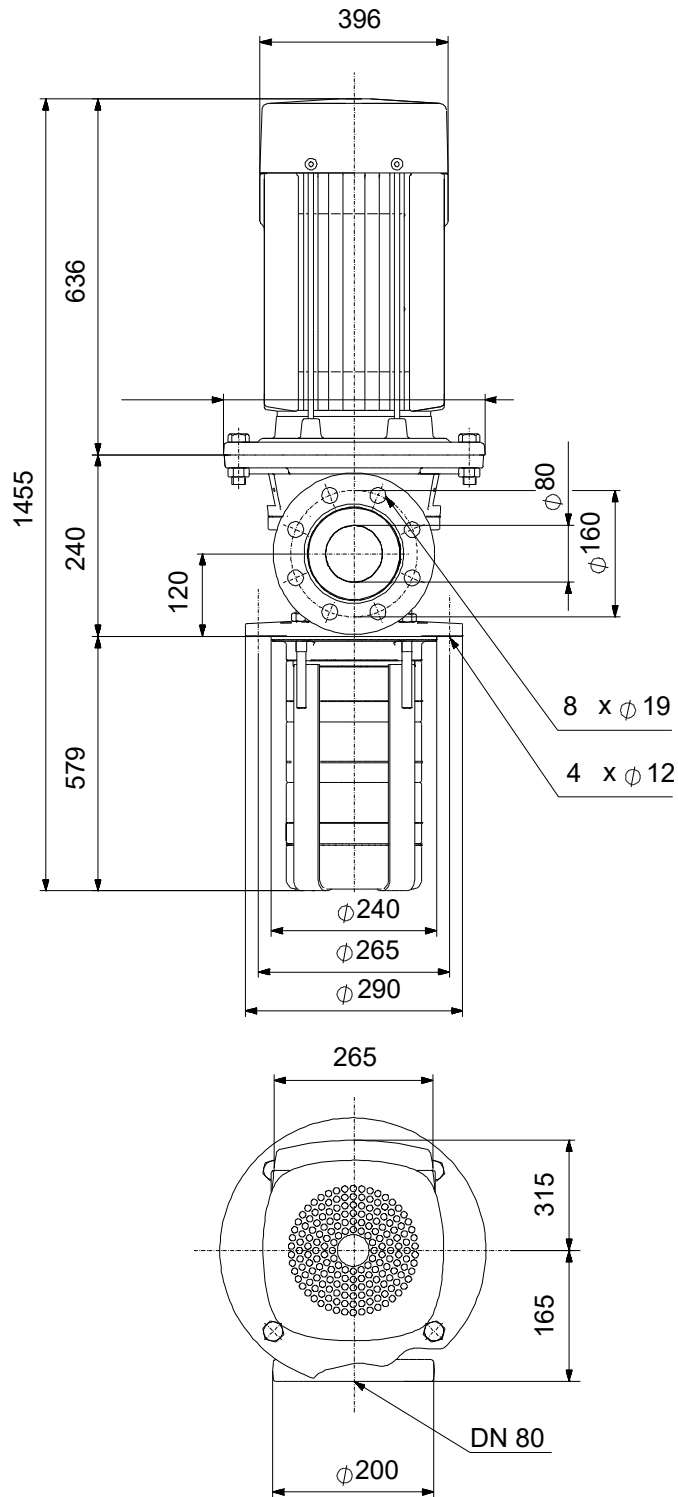


Description	Value
General information:	
Product name:	MTR 64-6/6 A-F-A-HUUV
Product No:	On request
EAN number:	On request
Technical:	
Pump speed on which pump data are based:	2957 rpm
Rated flow:	1070 l/min
Rated head:	139.4 m
Chambers:	6
Impellers:	6
Number of reduced-diameter impellers:	0
Drainage back to tank:	N
Pump orientation:	Vertical
Code for shaft seal:	HUUV
Approvals:	CE, EAC
Curve tolerance:	ISO9906:2012 3B
Pump version:	A
Model:	B
Materials:	
Pump head:	Cast iron
Pump head:	EN 1561 EN-GJL-200
Pump head:	ASTM A48-25B
Impeller:	Stainless steel
Impeller:	EN 1.4301
Impeller:	AISI 304
Material code:	A
Installation:	
t max amb:	55 °C
Maximum operating pressure:	25 bar
Max pressure at stated temp:	25 bar / 90 °C
Type of connection:	DIN
Size of outlet connection:	DN 80
Immersion depth:	579 mm
Pressure rating for connection:	PN 40
Flange size for motor:	FF350
Connect code:	F
Liquid:	
Pumped liquid:	Water
Liquid temperature range:	-10 .. 90 °C
Selected liquid temperature:	20 °C
Density:	998.2 kg/m ³
Electrical data:	
Motor standard:	IEC
Motor type:	SIEMENS
IE Efficiency class:	IE3
Rated power - P2:	37 kW
Mains frequency:	50 Hz
Suitable for 50/60 Hz:	N
Rated voltage:	3 x 380-420D/660-725Y V
Rated current:	65/37.5 A
Starting current:	710-710 %
Cos phi - power factor:	0.88
Rated speed:	2955 rpm
Efficiency:	IE3 93,7%
Motor efficiency at full load:	93.7-93.7 %
Motor efficiency at 3/4 load:	94.2-94.2 %
Motor efficiency at 1/2 load:	94.0-94.0 %
Number of poles:	2
Enclosure class (IEC 34-5):	IP55
Insulation class (IEC 85):	F
Built-in motor protection:	PTC
Motor No:	81U15334



Description	Value
Controls:	
Frequency converter:	NONE
Others:	
Terminal box position:	6
Minimum efficiency index, MEI ≥:	0.70
Net weight:	313 kg
Gross weight:	370 kg
Shipping volume:	1.12 m ³
Danish VVS No.:	386971006
Country of origin:	HU
Custom tariff no.:	84137075

On request MTR 64-6/6 A-F-A-HUUV 50 Hz



Note! All units are in [mm] unless others are stated.
Disclaimer: This simplified dimensional drawing does not show all details.

On request MTR 64-6/6 A-F-A-HUUV 50 Hz



IEC TP211 THERMALLY PROTECTED WHEN THE THERMISTORS ARE
 CONNECTED TO AMPLIFIER RELAY FOR CONTROL OF MAIN SUPPLY
 THERMISTORS PTC ACCORDING TO DIN 44082

Note! All units are in [mm] unless others are stated.

