
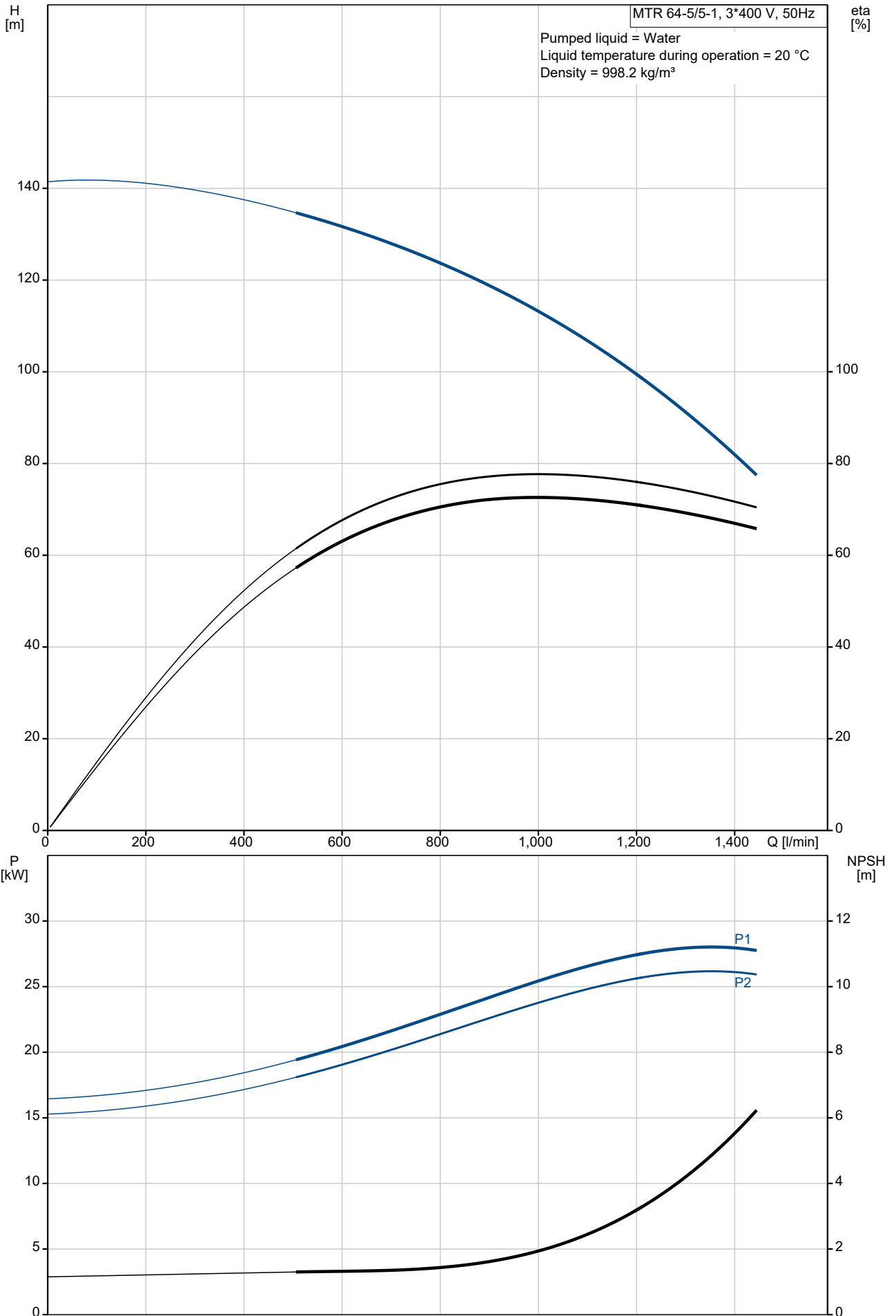


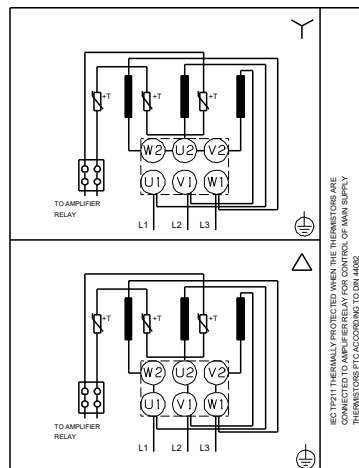
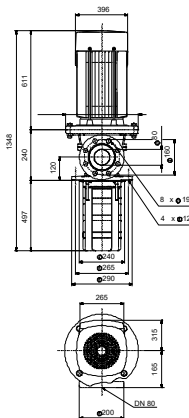
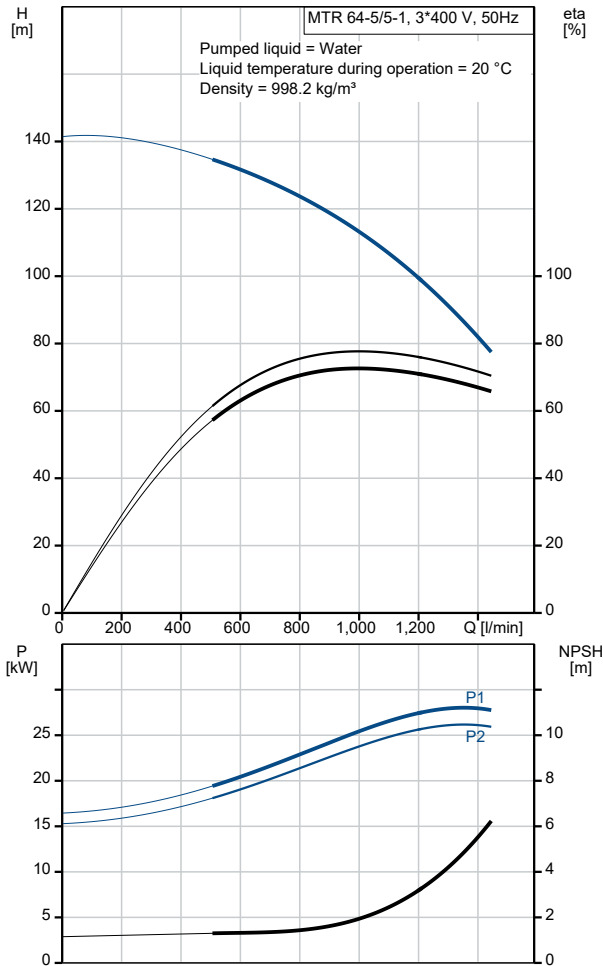
Qty.	Description
1	<p data-bbox="204 163 501 185"><b>MTR 64-5/5-1 A-F-A-HUUV</b></p>  <p data-bbox="204 483 478 506">Product No.: On request</p> <p data-bbox="204 544 1430 618">Multistage, immersible, self-priming, centrifugal pump for vertical installation in tanks etc. The pump head and base are in cast iron – all other wetted parts are in stainless steel. The pump has the following characteristics:</p> <ul data-bbox="240 629 1115 745" style="list-style-type: none"> <li>• Dimensions according to DIN 5440.</li> <li>• Impellers, intermediate chambers and spline shaft are made of Stainless steel.</li> <li>• Mechanical shaft seal according to EN 12756.</li> <li>• Power transmission via sintered metal split coupling.</li> </ul> <p data-bbox="204 750 1430 799">A cartridge shaft seal ensures high reliability, safe handling, and easy access and service. The pump is fitted with a 3-phase, fan-cooled asynchronous motor.</p> <p data-bbox="204 837 300 860">Controls:</p> <p data-bbox="204 866 636 889">Frequency converter: NONE</p> <p data-bbox="204 927 276 949">Liquid:</p> <p data-bbox="204 956 632 978">Pumped liquid: Water</p> <p data-bbox="204 985 691 1008">Liquid temperature range: -10 .. 90 °C</p> <p data-bbox="204 1014 628 1037">Selected liquid temperature: 20 °C</p> <p data-bbox="204 1043 695 1066">Density: 998.2 kg/m<sup>3</sup></p> <p data-bbox="204 1104 314 1126">Technical:</p> <p data-bbox="204 1133 818 1155">Pump speed on which pump data are based: 2951 rpm</p> <p data-bbox="204 1162 679 1184">Rated flow: 1070 l/min</p> <p data-bbox="204 1191 655 1214">Rated head: 108.5 m</p> <p data-bbox="204 1220 579 1243">Chambers: 5</p> <p data-bbox="204 1249 584 1272">Drainage back to tank: N</p> <p data-bbox="204 1279 647 1301">Pump orientation: Vertical</p> <p data-bbox="204 1308 636 1330">Code for shaft seal: HUUV</p> <p data-bbox="204 1337 663 1359">Approvals: CE, EAC</p> <p data-bbox="204 1366 759 1388">Curve tolerance: ISO9906:2012 3B</p> <p data-bbox="204 1426 308 1449">Materials:</p> <p data-bbox="204 1456 802 1543">Pump head: Cast iron EN 1561 EN-GJL-200 ASTM A48-25B</p> <p data-bbox="204 1550 724 1637">Impeller: Stainless steel EN 1.4301 AISI 304</p> <p data-bbox="204 1675 325 1697">Installation:</p> <p data-bbox="204 1704 628 1727">t max amb: 55 °C</p> <p data-bbox="204 1733 636 1756">Maximum operating pressure: 25 bar</p> <p data-bbox="204 1762 716 1785">Max pressure at stated temp: 25 bar / 90 °C</p> <p data-bbox="204 1792 608 1814">Type of connection: DIN</p> <p data-bbox="204 1821 636 1843">Size of outlet connection: DN 80</p> <p data-bbox="204 1850 655 1872">Immersion depth: 497 mm</p> <p data-bbox="204 1879 636 1901">Pressure rating for connection: PN 40</p> <p data-bbox="204 1908 636 1930">Flange size for motor: FF350</p> <p data-bbox="204 1968 360 1991">Electrical data:</p> <p data-bbox="204 1998 608 2020">Motor standard: IEC</p> <p data-bbox="204 2027 675 2049">Motor type: SIEMENS</p> <p data-bbox="204 2056 604 2078">IE Efficiency class: IE3</p>

Qty.	Description
1	<p>Rated power - P2: 30 kW  Mains frequency: 50 Hz  Suitable for 50/60 Hz: N  Rated voltage: 3 x 380-420D/660-725Y V  Rated current: 53/31 A  Starting current: 700-700 %  Cos phi - power factor: 0.87  Rated speed: 2955 rpm  Efficiency: IE3 93,3%  Motor efficiency at full load: 93.3-93.3 %  Motor efficiency at 3/4 load: 93.5-93.5 %  Motor efficiency at 1/2 load: 92.9-92.9 %  Number of poles: 2  Enclosure class (IEC 34-5): IP55  Insulation class (IEC 85): F  Motor No: 81U15332</p> <p>Others:  Terminal box position: 6  Minimum efficiency index, MEI ≥: 0.70  Net weight: 288 kg  Gross weight: 345 kg  Shipping volume: 1.12 m<sup>3</sup>  Country of origin: HU  Custom tariff no.: 84137075</p>

# On request MTR 64-5/5-1 A-F-A-HUUV 50 Hz

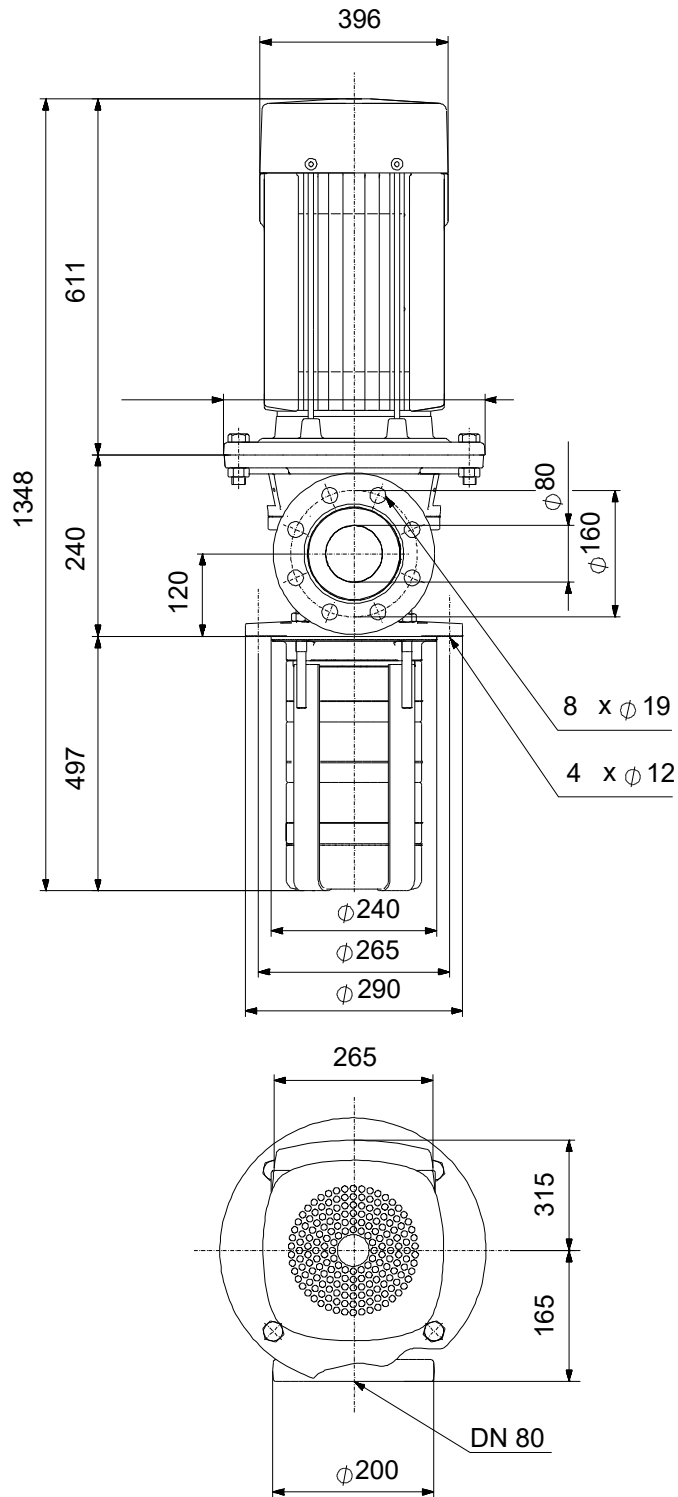


Description	Value
<b>General information:</b>	
Product name:	MTR 64-5/5-1 A-F-A-HUUV
Product No:	On request
EAN number:	On request
<b>Technical:</b>	
Pump speed on which pump data are based:	2951 rpm
Rated flow:	1070 l/min
Rated head:	108.5 m
Chambers:	5
Impellers:	5
Number of reduced-diameter impellers:	1
Drainage back to tank:	N
Pump orientation:	Vertical
Code for shaft seal:	HUUV
Approvals:	CE, EAC
Curve tolerance:	ISO9906:2012 3B
Pump version:	A
Model:	B
<b>Materials:</b>	
Pump head:	Cast iron
Pump head:	EN 1561 EN-GJL-200
Pump head:	ASTM A48-25B
Impeller:	Stainless steel
Impeller:	EN 1.4301
Impeller:	AISI 304
Material code:	A
<b>Installation:</b>	
t max amb:	55 °C
Maximum operating pressure:	25 bar
Max pressure at stated temp:	25 bar / 90 °C
Type of connection:	DIN
Size of outlet connection:	DN 80
Immersion depth:	497 mm
Pressure rating for connection:	PN 40
Flange size for motor:	FF350
Connect code:	F
<b>Liquid:</b>	
Pumped liquid:	Water
Liquid temperature range:	-10 .. 90 °C
Selected liquid temperature:	20 °C
Density:	998.2 kg/m <sup>3</sup>
<b>Electrical data:</b>	
Motor standard:	IEC
Motor type:	SIEMENS
IE Efficiency class:	IE3
Rated power - P2:	30 kW
Mains frequency:	50 Hz
Suitable for 50/60 Hz:	N
Rated voltage:	3 x 380-420D/660-725Y V
Rated current:	53/31 A
Starting current:	700-700 %
Cos phi - power factor:	0.87
Rated speed:	2955 rpm
Efficiency:	IE3 93,3%
Motor efficiency at full load:	93.3-93.3 %
Motor efficiency at 3/4 load:	93.5-93.5 %
Motor efficiency at 1/2 load:	92.9-92.9 %
Number of poles:	2
Enclosure class (IEC 34-5):	IP55
Insulation class (IEC 85):	F
Built-in motor protection:	PTC
Motor No:	81U15332



Description	Value
<b>Controls:</b>	
Frequency converter:	NONE
<b>Others:</b>	
Terminal box position:	6
Minimum efficiency index, MEI ≥:	0.70
Net weight:	288 kg
Gross weight:	345 kg
Shipping volume:	1.12 m <sup>3</sup>
Country of origin:	HU
Custom tariff no.:	84137075

# On request MTR 64-5/5-1 A-F-A-HUUV 50 Hz



Note! All units are in [mm] unless others are stated.  
Disclaimer: This simplified dimensional drawing does not show all details.

**On request MTR 64-5/5-1 A-F-A-HUUV 50 Hz**



IEC TP211 THERMALLY PROTECTED WHEN THE THERMISTORS ARE  
 CONNECTED TO AMPLIFIER RELAY FOR CONTROL OF MAIN SUPPLY  
 THERMISTORS PTC ACCORDING TO DIN 44082

Note! All units are in [mm] unless others are stated.

