
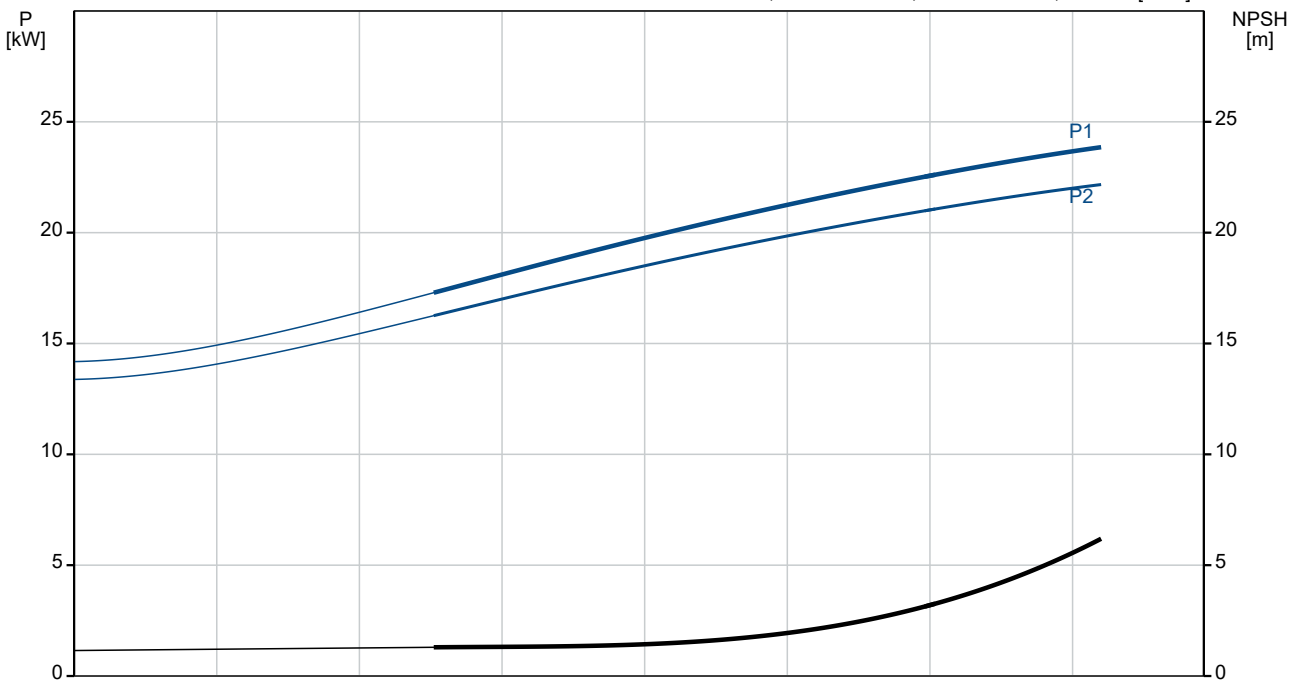
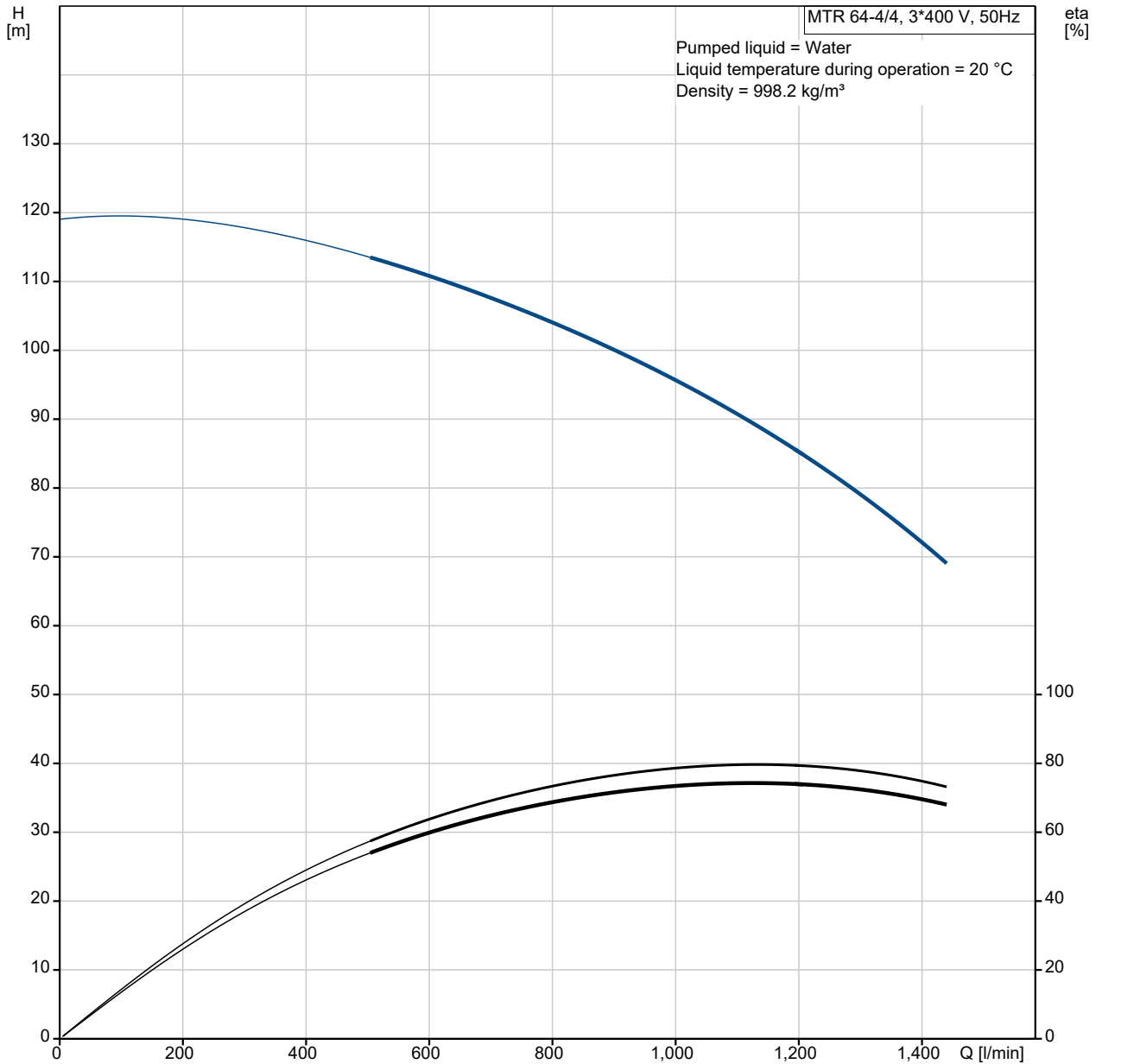


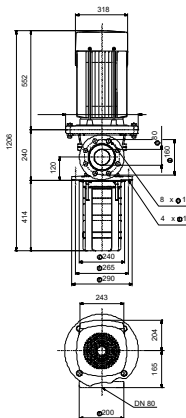
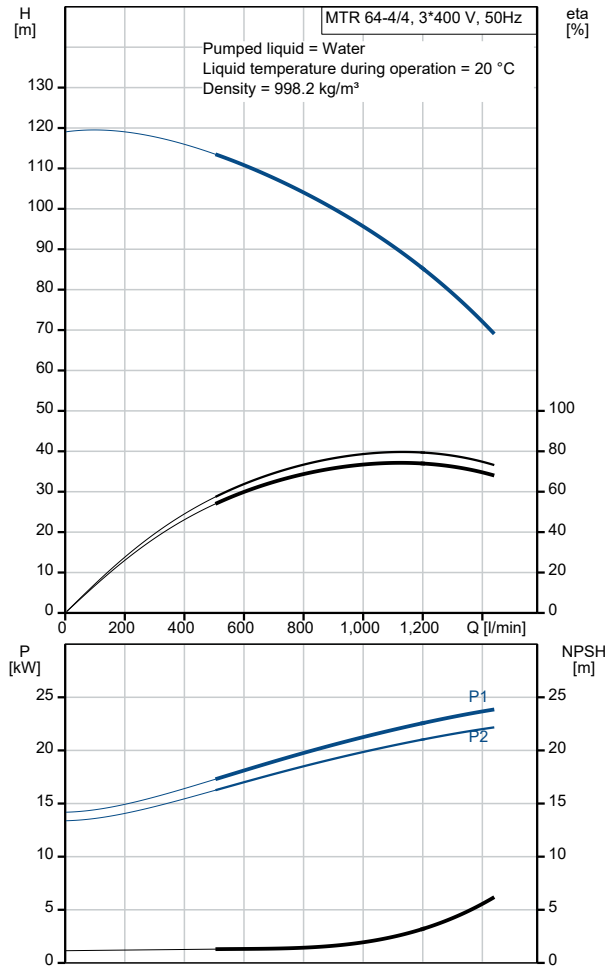
| Qty. | Description |
|------|---|
| 1 | <p data-bbox="204 163 480 185">MTR 64-4/4 A-F-A-HUUV</p>  <p data-bbox="204 483 480 506">Product No.: On request</p> <p data-bbox="204 544 1430 618">Multistage, immersible, self-priming, centrifugal pump for vertical installation in tanks etc. The pump head and base are in cast iron – all other wetted parts are in stainless steel. The pump has the following characteristics:</p> <ul data-bbox="240 629 1117 745" style="list-style-type: none"> • Dimensions according to DIN 5440. • Impellers, intermediate chambers and spline shaft are made of Stainless steel. • Mechanical shaft seal according to EN 12756. • Power transmission via sintered metal split coupling. <p data-bbox="204 752 1430 797">A cartridge shaft seal ensures high reliability, safe handling, and easy access and service. The pump is fitted with a 3-phase, fan-cooled asynchronous motor.</p> <p data-bbox="204 837 300 860">Controls:</p> <p data-bbox="204 866 636 889">Frequency converter: NONE</p> <p data-bbox="204 927 276 949">Liquid:</p> <p data-bbox="204 956 632 978">Pumped liquid: Water</p> <p data-bbox="204 985 691 1008">Liquid temperature range: -10 .. 90 °C</p> <p data-bbox="204 1014 632 1037">Selected liquid temperature: 20 °C</p> <p data-bbox="204 1043 695 1066">Density: 998.2 kg/m³</p> <p data-bbox="204 1104 316 1126">Technical:</p> <p data-bbox="204 1133 818 1155">Pump speed on which pump data are based: 2947 rpm</p> <p data-bbox="204 1162 679 1184">Rated flow: 1070 l/min</p> <p data-bbox="204 1191 620 1214">Rated head: 91 m</p> <p data-bbox="204 1220 579 1243">Chambers: 4</p> <p data-bbox="204 1249 579 1272">Drainage back to tank: N</p> <p data-bbox="204 1279 647 1301">Pump orientation: Vertical</p> <p data-bbox="204 1308 636 1330">Code for shaft seal: HUUV</p> <p data-bbox="204 1337 657 1359">Approvals: CE,EAC</p> <p data-bbox="204 1366 759 1388">Curve tolerance: ISO9906:2012 3B</p> <p data-bbox="204 1426 309 1449">Materials:</p> <p data-bbox="204 1456 802 1543">Pump head: Cast iron EN 1561 EN-GJL-200 ASTM A48-25B</p> <p data-bbox="204 1550 724 1637">Impeller: Stainless steel EN 1.4301 AISI 304</p> <p data-bbox="204 1675 325 1697">Installation:</p> <p data-bbox="204 1704 628 1727">t max amb: 60 °C</p> <p data-bbox="204 1733 636 1756">Maximum operating pressure: 25 bar</p> <p data-bbox="204 1762 716 1785">Max pressure at stated temp: 25 bar / 90 °C</p> <p data-bbox="204 1792 608 1814">Type of connection: DIN</p> <p data-bbox="204 1821 636 1843">Size of outlet connection: DN 80</p> <p data-bbox="204 1850 655 1872">Immersion depth: 414 mm</p> <p data-bbox="204 1879 636 1901">Pressure rating for connection: PN 40</p> <p data-bbox="204 1908 636 1930">Flange size for motor: FF300</p> <p data-bbox="204 1968 363 1991">Electrical data:</p> <p data-bbox="204 1998 608 2020">Motor standard: IEC</p> <p data-bbox="204 2027 644 2049">Motor type: 180MB</p> <p data-bbox="204 2056 604 2078">IE Efficiency class: IE3</p> |

| Qty. | Description | | | | | | | | | | | | | | | | | | | | | | | | | | | | | | | | | | | | | | | | | | | | | | | | | | |
|----------------------------------|--|-------------------|-------|------------------|-------|------------------------|---|----------------|-------------------------|----------------|-------------|-------------------|-------|-------------------------|-----------|--------------|----------|-------------|-----------|--------------------------------|-------------|-------------------------------|--------|-------------------------------|--------|------------------|---|-----------------------------|-----------------|----------------------------|---|-----------|----------|---------|--|------------------------|---|----------------------------------|------|-------------|--------|---------------|--------|------------------|----------------------|-----------------|-----------|--------------------|----|--------------------|----------|
| 1 | <table> <tr> <td>Rated power - P2:</td> <td>22 kW</td> </tr> <tr> <td>Mains frequency:</td> <td>50 Hz</td> </tr> <tr> <td>Suitable for 50/60 Hz:</td> <td>N</td> </tr> <tr> <td>Rated voltage:</td> <td>3 x 380-415D/660-690Y V</td> </tr> <tr> <td>Rated current:</td> <td>39.5/22.8 A</td> </tr> <tr> <td>Starting current:</td> <td>830 %</td> </tr> <tr> <td>Cos phi - power factor:</td> <td>0.90-0.90</td> </tr> <tr> <td>Rated speed:</td> <td>2950 rpm</td> </tr> <tr> <td>Efficiency:</td> <td>IE3 92,7%</td> </tr> <tr> <td>Motor efficiency at full load:</td> <td>92.7-92.7 %</td> </tr> <tr> <td>Motor efficiency at 3/4 load:</td> <td>93.7 %</td> </tr> <tr> <td>Motor efficiency at 1/2 load:</td> <td>94.4 %</td> </tr> <tr> <td>Number of poles:</td> <td>2</td> </tr> <tr> <td>Enclosure class (IEC 34-5):</td> <td>55 Dust/Jetting</td> </tr> <tr> <td>Insulation class (IEC 85):</td> <td>F</td> </tr> <tr> <td>Motor No:</td> <td>85U17530</td> </tr> <tr> <td colspan="2">Others:</td> </tr> <tr> <td>Terminal box position:</td> <td>6</td> </tr> <tr> <td>Minimum efficiency index, MEI ≥:</td> <td>0.70</td> </tr> <tr> <td>Net weight:</td> <td>187 kg</td> </tr> <tr> <td>Gross weight:</td> <td>213 kg</td> </tr> <tr> <td>Shipping volume:</td> <td>0.479 m³</td> </tr> <tr> <td>Danish VVS No.:</td> <td>386971004</td> </tr> <tr> <td>Country of origin:</td> <td>HU</td> </tr> <tr> <td>Custom tariff no.:</td> <td>84137075</td> </tr> </table> | Rated power - P2: | 22 kW | Mains frequency: | 50 Hz | Suitable for 50/60 Hz: | N | Rated voltage: | 3 x 380-415D/660-690Y V | Rated current: | 39.5/22.8 A | Starting current: | 830 % | Cos phi - power factor: | 0.90-0.90 | Rated speed: | 2950 rpm | Efficiency: | IE3 92,7% | Motor efficiency at full load: | 92.7-92.7 % | Motor efficiency at 3/4 load: | 93.7 % | Motor efficiency at 1/2 load: | 94.4 % | Number of poles: | 2 | Enclosure class (IEC 34-5): | 55 Dust/Jetting | Insulation class (IEC 85): | F | Motor No: | 85U17530 | Others: | | Terminal box position: | 6 | Minimum efficiency index, MEI ≥: | 0.70 | Net weight: | 187 kg | Gross weight: | 213 kg | Shipping volume: | 0.479 m ³ | Danish VVS No.: | 386971004 | Country of origin: | HU | Custom tariff no.: | 84137075 |
| Rated power - P2: | 22 kW | | | | | | | | | | | | | | | | | | | | | | | | | | | | | | | | | | | | | | | | | | | | | | | | | | |
| Mains frequency: | 50 Hz | | | | | | | | | | | | | | | | | | | | | | | | | | | | | | | | | | | | | | | | | | | | | | | | | | |
| Suitable for 50/60 Hz: | N | | | | | | | | | | | | | | | | | | | | | | | | | | | | | | | | | | | | | | | | | | | | | | | | | | |
| Rated voltage: | 3 x 380-415D/660-690Y V | | | | | | | | | | | | | | | | | | | | | | | | | | | | | | | | | | | | | | | | | | | | | | | | | | |
| Rated current: | 39.5/22.8 A | | | | | | | | | | | | | | | | | | | | | | | | | | | | | | | | | | | | | | | | | | | | | | | | | | |
| Starting current: | 830 % | | | | | | | | | | | | | | | | | | | | | | | | | | | | | | | | | | | | | | | | | | | | | | | | | | |
| Cos phi - power factor: | 0.90-0.90 | | | | | | | | | | | | | | | | | | | | | | | | | | | | | | | | | | | | | | | | | | | | | | | | | | |
| Rated speed: | 2950 rpm | | | | | | | | | | | | | | | | | | | | | | | | | | | | | | | | | | | | | | | | | | | | | | | | | | |
| Efficiency: | IE3 92,7% | | | | | | | | | | | | | | | | | | | | | | | | | | | | | | | | | | | | | | | | | | | | | | | | | | |
| Motor efficiency at full load: | 92.7-92.7 % | | | | | | | | | | | | | | | | | | | | | | | | | | | | | | | | | | | | | | | | | | | | | | | | | | |
| Motor efficiency at 3/4 load: | 93.7 % | | | | | | | | | | | | | | | | | | | | | | | | | | | | | | | | | | | | | | | | | | | | | | | | | | |
| Motor efficiency at 1/2 load: | 94.4 % | | | | | | | | | | | | | | | | | | | | | | | | | | | | | | | | | | | | | | | | | | | | | | | | | | |
| Number of poles: | 2 | | | | | | | | | | | | | | | | | | | | | | | | | | | | | | | | | | | | | | | | | | | | | | | | | | |
| Enclosure class (IEC 34-5): | 55 Dust/Jetting | | | | | | | | | | | | | | | | | | | | | | | | | | | | | | | | | | | | | | | | | | | | | | | | | | |
| Insulation class (IEC 85): | F | | | | | | | | | | | | | | | | | | | | | | | | | | | | | | | | | | | | | | | | | | | | | | | | | | |
| Motor No: | 85U17530 | | | | | | | | | | | | | | | | | | | | | | | | | | | | | | | | | | | | | | | | | | | | | | | | | | |
| Others: | | | | | | | | | | | | | | | | | | | | | | | | | | | | | | | | | | | | | | | | | | | | | | | | | | | |
| Terminal box position: | 6 | | | | | | | | | | | | | | | | | | | | | | | | | | | | | | | | | | | | | | | | | | | | | | | | | | |
| Minimum efficiency index, MEI ≥: | 0.70 | | | | | | | | | | | | | | | | | | | | | | | | | | | | | | | | | | | | | | | | | | | | | | | | | | |
| Net weight: | 187 kg | | | | | | | | | | | | | | | | | | | | | | | | | | | | | | | | | | | | | | | | | | | | | | | | | | |
| Gross weight: | 213 kg | | | | | | | | | | | | | | | | | | | | | | | | | | | | | | | | | | | | | | | | | | | | | | | | | | |
| Shipping volume: | 0.479 m ³ | | | | | | | | | | | | | | | | | | | | | | | | | | | | | | | | | | | | | | | | | | | | | | | | | | |
| Danish VVS No.: | 386971004 | | | | | | | | | | | | | | | | | | | | | | | | | | | | | | | | | | | | | | | | | | | | | | | | | | |
| Country of origin: | HU | | | | | | | | | | | | | | | | | | | | | | | | | | | | | | | | | | | | | | | | | | | | | | | | | | |
| Custom tariff no.: | 84137075 | | | | | | | | | | | | | | | | | | | | | | | | | | | | | | | | | | | | | | | | | | | | | | | | | | |

On request MTR 64-4/4 A-F-A-HUUV 50 Hz

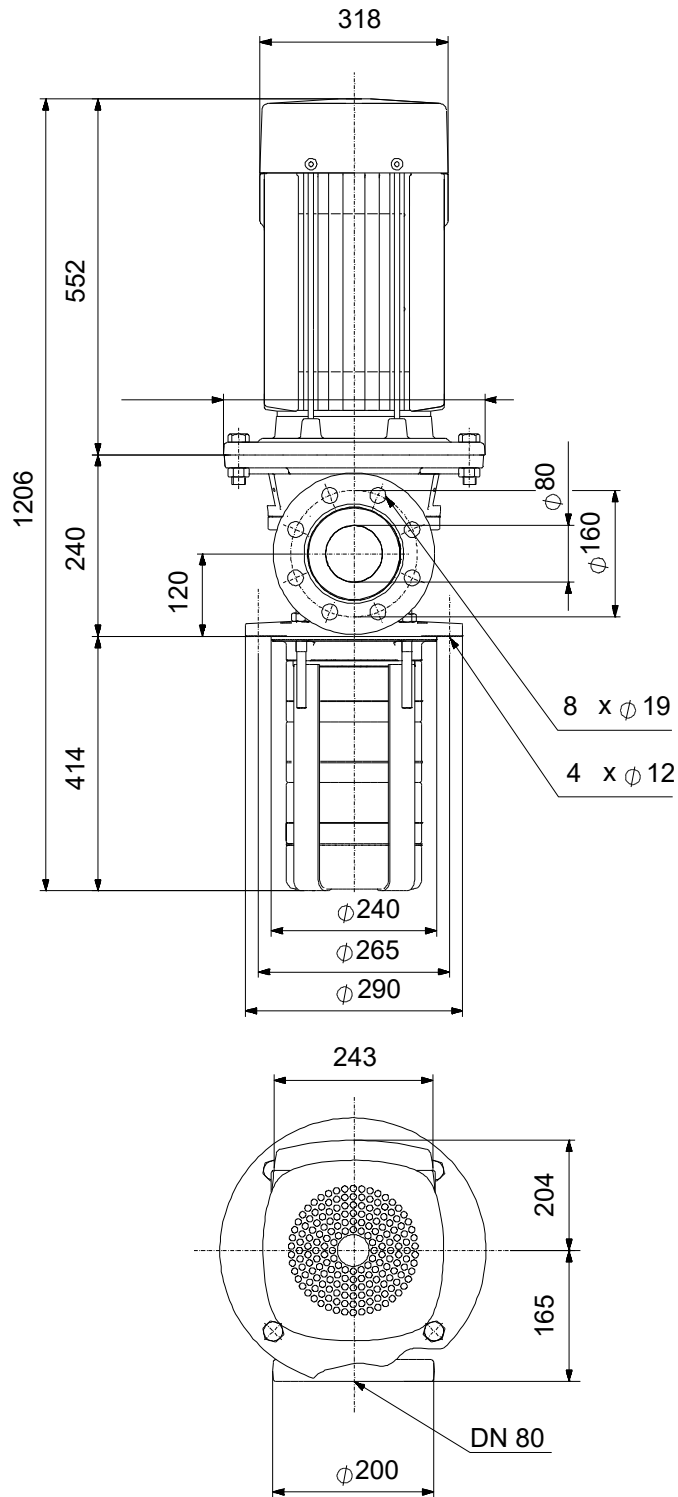


| Description | Value |
|--|----------------------------|
| General information: | |
| Product name: | MTR 64-4/4 A-F-A-HUUV |
| Product No: | On request |
| EAN number: | On request |
| Technical: | |
| Pump speed on which pump data are based: | 2947 rpm |
| Rated flow: | 1070 l/min |
| Rated head: | 91 m |
| Chambers: | 4 |
| Impellers: | 4 |
| Number of reduced-diameter impellers: | 0 |
| Drainage back to tank: | N |
| Pump orientation: | Vertical |
| Code for shaft seal: | HUUV |
| Approvals: | CE, EAC |
| Curve tolerance: | ISO9906:2012 3B |
| Pump version: | A |
| Model: | B |
| Materials: | |
| Pump head: | Cast iron |
| Pump head: | EN 1561 EN-GJL-200 |
| Pump head: | ASTM A48-25B |
| Impeller: | Stainless steel |
| Impeller: | EN 1.4301 |
| Impeller: | AISI 304 |
| Material code: | A |
| Installation: | |
| t max amb: | 60 °C |
| Maximum operating pressure: | 25 bar |
| Max pressure at stated temp: | 25 bar / 90 °C |
| Type of connection: | DIN |
| Size of outlet connection: | DN 80 |
| Immersion depth: | 414 mm |
| Pressure rating for connection: | PN 40 |
| Flange size for motor: | FF300 |
| Connect code: | F |
| Liquid: | |
| Pumped liquid: | Water |
| Liquid temperature range: | -10 .. 90 °C |
| Selected liquid temperature: | 20 °C |
| Density: | 998.2 kg/m ³ |
| Electrical data: | |
| Motor standard: | IEC |
| Motor type: | 180MB |
| IE Efficiency class: | IE3 |
| Rated power - P2: | 22 kW |
| Mains frequency: | 50 Hz |
| Suitable for 50/60 Hz: | N |
| Rated voltage: | 3 x 380-415D/660-690Y V |
| Rated current: | 39.5/22.8 A |
| Starting current: | 830 % |
| Cos phi - power factor: | 0.90-0.90 |
| Rated speed: | 2950 rpm |
| Efficiency: | IE3 92,7% |
| Motor efficiency at full load: | 92.7-92.7 % |
| Motor efficiency at 3/4 load: | 93.7 % |
| Motor efficiency at 1/2 load: | 94.4 % |
| Number of poles: | 2 |
| Enclosure class (IEC 34-5): | 55 Dust/Jetting |
| Insulation class (IEC 85): | F |
| Built-in motor protection: | PTC |
| Motor No: | 85U17530 |



| Description | Value |
|----------------------------------|----------------------|
| Controls: | |
| Frequency converter: | NONE |
| Others: | |
| Terminal box position: | 6 |
| Minimum efficiency index, MEI ≥: | 0.70 |
| Net weight: | 187 kg |
| Gross weight: | 213 kg |
| Shipping volume: | 0.479 m ³ |
| Danish VVS No.: | 386971004 |
| Country of origin: | HU |
| Custom tariff no.: | 84137075 |

On request MTR 64-4/4 A-F-A-HUUV 50 Hz



Note! All units are in [mm] unless others are stated.
Disclaimer: This simplified dimensional drawing does not show all details.

On request MTR 64-4/4 A-F-A-HUUV 50 Hz



IEC TP211 THERMALLY PROTECTED WHEN THE THERMISTORS ARE
CONNECTED TO AMPLIFIER RELAY FOR CONTROL OF MAIN SUPPLY
THERMISTORS PTC ACCORDING TO DIN 44082

Note! All units are in [mm] unless others are stated.

Order Data:

| Position | Your pos. | Product name | Amount | Product No | Total |
|----------|-----------|--------------|--------|------------|------------------|
| | | MTR 64-4/4 | 1 | On request | Price on request |
| | | | | | |