
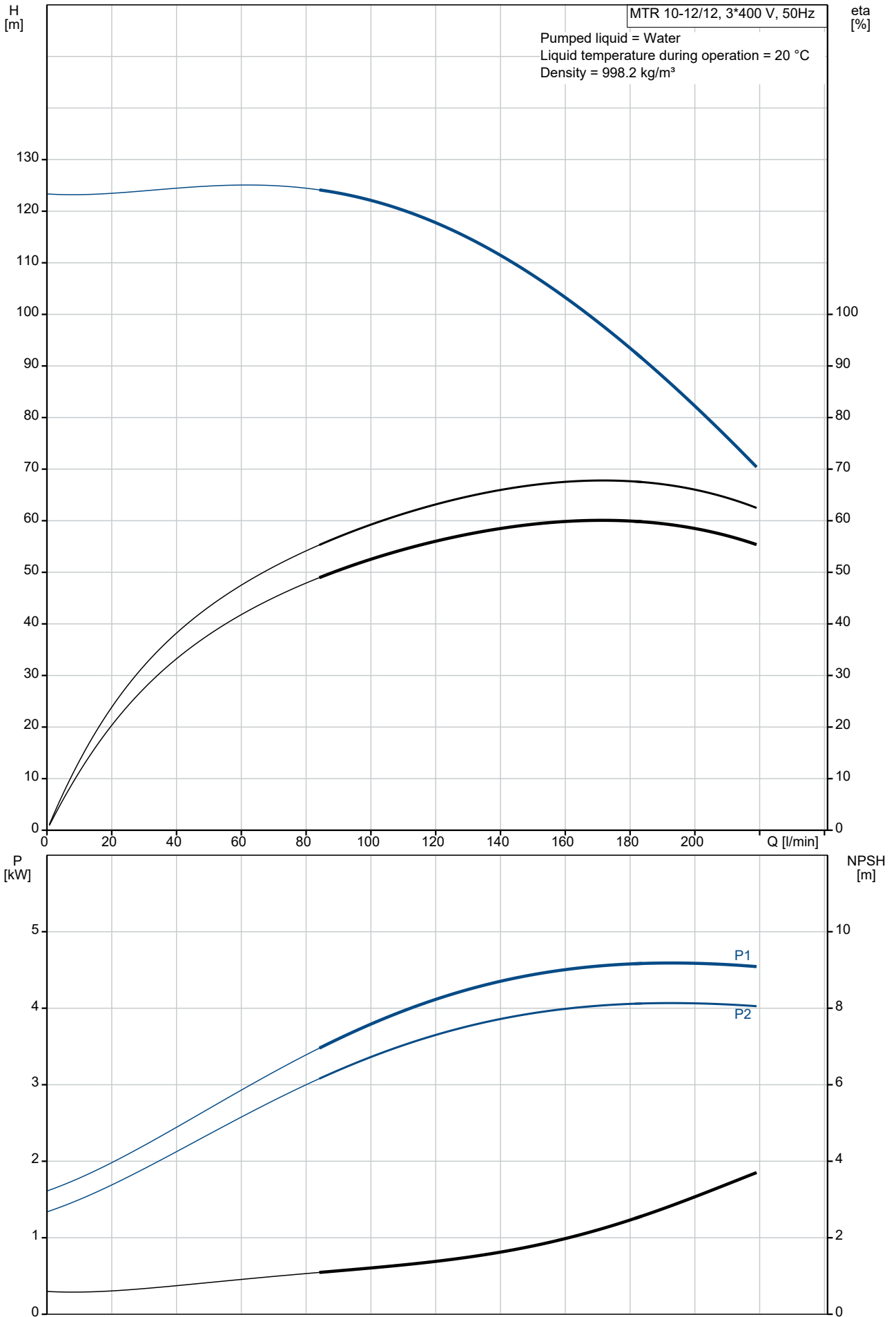


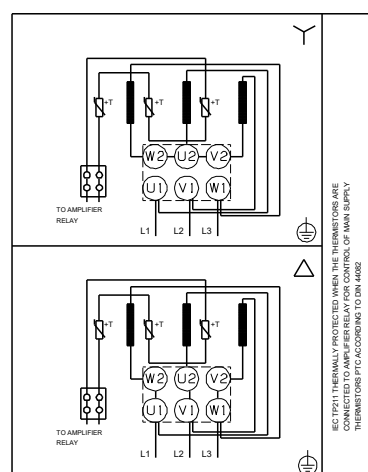
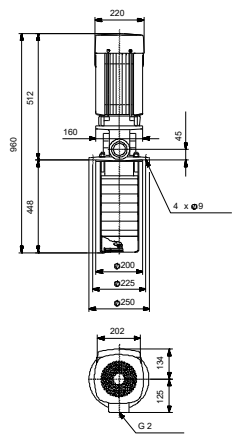
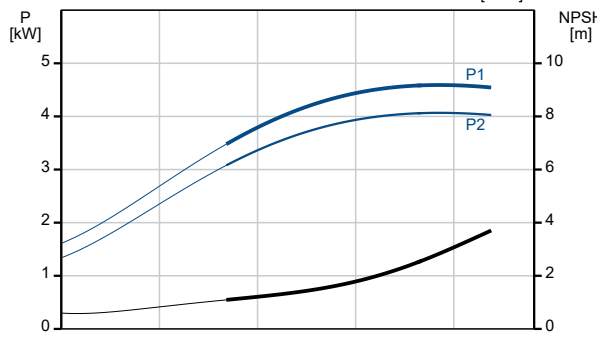
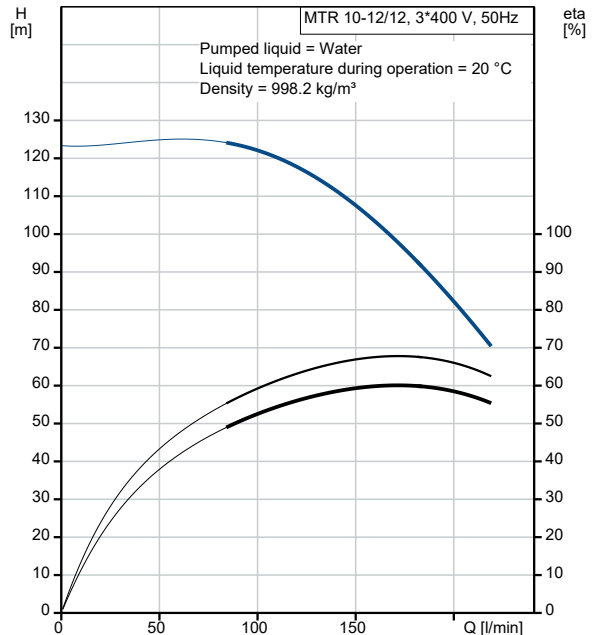
Qty.	Description
1	<p data-bbox="204 163 515 185"><b>MTR 10-12/12 A-W-A-HUUV</b></p>  <p data-bbox="204 483 480 506">Product No.: On request</p> <p data-bbox="204 544 1430 618">Multistage, immersible, self-priming, centrifugal pump for vertical installation in tanks etc. The pump head and base are in cast iron – all other wetted parts are in stainless steel. The pump has the following characteristics:</p> <ul data-bbox="240 629 1117 745" style="list-style-type: none"> <li>• Dimensions according to DIN 5440.</li> <li>• Impellers, intermediate chambers and spline shaft are made of Stainless steel.</li> <li>• Mechanical shaft seal according to EN 12756.</li> <li>• Power transmission via sintered metal split coupling.</li> </ul> <p data-bbox="204 752 1430 797">A cartridge shaft seal ensures high reliability, safe handling, and easy access and service. The pump is fitted with a 3-phase, fan-cooled asynchronous motor.</p> <p data-bbox="204 837 300 860">Controls:</p> <p data-bbox="204 866 638 889">Frequency converter: NONE</p> <p data-bbox="204 927 276 949">Liquid:</p> <p data-bbox="204 956 695 1070">Pumped liquid: Water Liquid temperature range: -10 .. 90 °C Selected liquid temperature: 20 °C Density: 998.2 kg/m<sup>3</sup></p> <p data-bbox="204 1108 316 1131">Technical:</p> <p data-bbox="204 1137 820 1397">Pump speed on which pump data are based: 2917 rpm Rated flow: 167 l/min Rated head: 99.9 m Chambers: 12 Drainage back to tank: N Pump orientation: Vertical Code for shaft seal: HUUV Approvals: CE,EAC Curve tolerance: ISO9906:2012 3B</p> <p data-bbox="204 1435 309 1458">Materials:</p> <p data-bbox="204 1464 802 1635">Pump head: Cast iron EN 1561 EN-GJL-200 ASTM A48-25B Impeller: Stainless steel EN 1.4301 AISI 304</p> <p data-bbox="204 1673 325 1695">Installation:</p> <p data-bbox="204 1702 748 1906">t max amb: 60 °C Maximum operating pressure: 25 bar Max pressure at stated temp: 25 bar / 90 °C Type of connection: G internal thread Size of outlet connection: 2 inch Immersion depth: 448 mm Flange size for motor: FT130</p> <p data-bbox="204 1944 363 1966">Electrical data:</p> <p data-bbox="204 1973 646 2087">Motor standard: IEC Motor type: 112MC IE Efficiency class: IE3 Rated power - P2: 4 kW</p>

Qty.	Description																																																
1	<table> <tr> <td>Mains frequency:</td> <td>50 Hz</td> </tr> <tr> <td>Suitable for 50/60 Hz:</td> <td>N</td> </tr> <tr> <td>Rated voltage:</td> <td>3 x 380-415D V</td> </tr> <tr> <td>Rated current:</td> <td>7.9 A</td> </tr> <tr> <td>Starting current:</td> <td>1000-1110 %</td> </tr> <tr> <td>Cos phi - power factor:</td> <td>0.87-0.87</td> </tr> <tr> <td>Rated speed:</td> <td>2920-2940 rpm</td> </tr> <tr> <td>Efficiency:</td> <td>IE3 88,1%</td> </tr> <tr> <td>Motor efficiency at full load:</td> <td>88.1 %</td> </tr> <tr> <td>Motor efficiency at 3/4 load:</td> <td>88.6 %</td> </tr> <tr> <td>Motor efficiency at 1/2 load:</td> <td>85.2 %</td> </tr> <tr> <td>Number of poles:</td> <td>2</td> </tr> <tr> <td>Enclosure class (IEC 34-5):</td> <td>55 Dust/Jetting</td> </tr> <tr> <td>Insulation class (IEC 85):</td> <td>F</td> </tr> <tr> <td>Motor No:</td> <td>85U15413</td> </tr> <tr> <td colspan="2">Others:</td> </tr> <tr> <td>Terminal box position:</td> <td>6</td> </tr> <tr> <td>Minimum efficiency index, MEI ≥:</td> <td>0.70</td> </tr> <tr> <td>Net weight:</td> <td>52.3 kg</td> </tr> <tr> <td>Gross weight:</td> <td>55.9 kg</td> </tr> <tr> <td>Shipping volume:</td> <td>0.114 m<sup>3</sup></td> </tr> <tr> <td>Danish VVS No.:</td> <td>386966012</td> </tr> <tr> <td>Country of origin:</td> <td>HU</td> </tr> <tr> <td>Custom tariff no.:</td> <td>84137075</td> </tr> </table>	Mains frequency:	50 Hz	Suitable for 50/60 Hz:	N	Rated voltage:	3 x 380-415D V	Rated current:	7.9 A	Starting current:	1000-1110 %	Cos phi - power factor:	0.87-0.87	Rated speed:	2920-2940 rpm	Efficiency:	IE3 88,1%	Motor efficiency at full load:	88.1 %	Motor efficiency at 3/4 load:	88.6 %	Motor efficiency at 1/2 load:	85.2 %	Number of poles:	2	Enclosure class (IEC 34-5):	55 Dust/Jetting	Insulation class (IEC 85):	F	Motor No:	85U15413	Others:		Terminal box position:	6	Minimum efficiency index, MEI ≥:	0.70	Net weight:	52.3 kg	Gross weight:	55.9 kg	Shipping volume:	0.114 m <sup>3</sup>	Danish VVS No.:	386966012	Country of origin:	HU	Custom tariff no.:	84137075
Mains frequency:	50 Hz																																																
Suitable for 50/60 Hz:	N																																																
Rated voltage:	3 x 380-415D V																																																
Rated current:	7.9 A																																																
Starting current:	1000-1110 %																																																
Cos phi - power factor:	0.87-0.87																																																
Rated speed:	2920-2940 rpm																																																
Efficiency:	IE3 88,1%																																																
Motor efficiency at full load:	88.1 %																																																
Motor efficiency at 3/4 load:	88.6 %																																																
Motor efficiency at 1/2 load:	85.2 %																																																
Number of poles:	2																																																
Enclosure class (IEC 34-5):	55 Dust/Jetting																																																
Insulation class (IEC 85):	F																																																
Motor No:	85U15413																																																
Others:																																																	
Terminal box position:	6																																																
Minimum efficiency index, MEI ≥:	0.70																																																
Net weight:	52.3 kg																																																
Gross weight:	55.9 kg																																																
Shipping volume:	0.114 m <sup>3</sup>																																																
Danish VVS No.:	386966012																																																
Country of origin:	HU																																																
Custom tariff no.:	84137075																																																

# On request MTR 10-12/12 A-W-A-HUUV 50 Hz

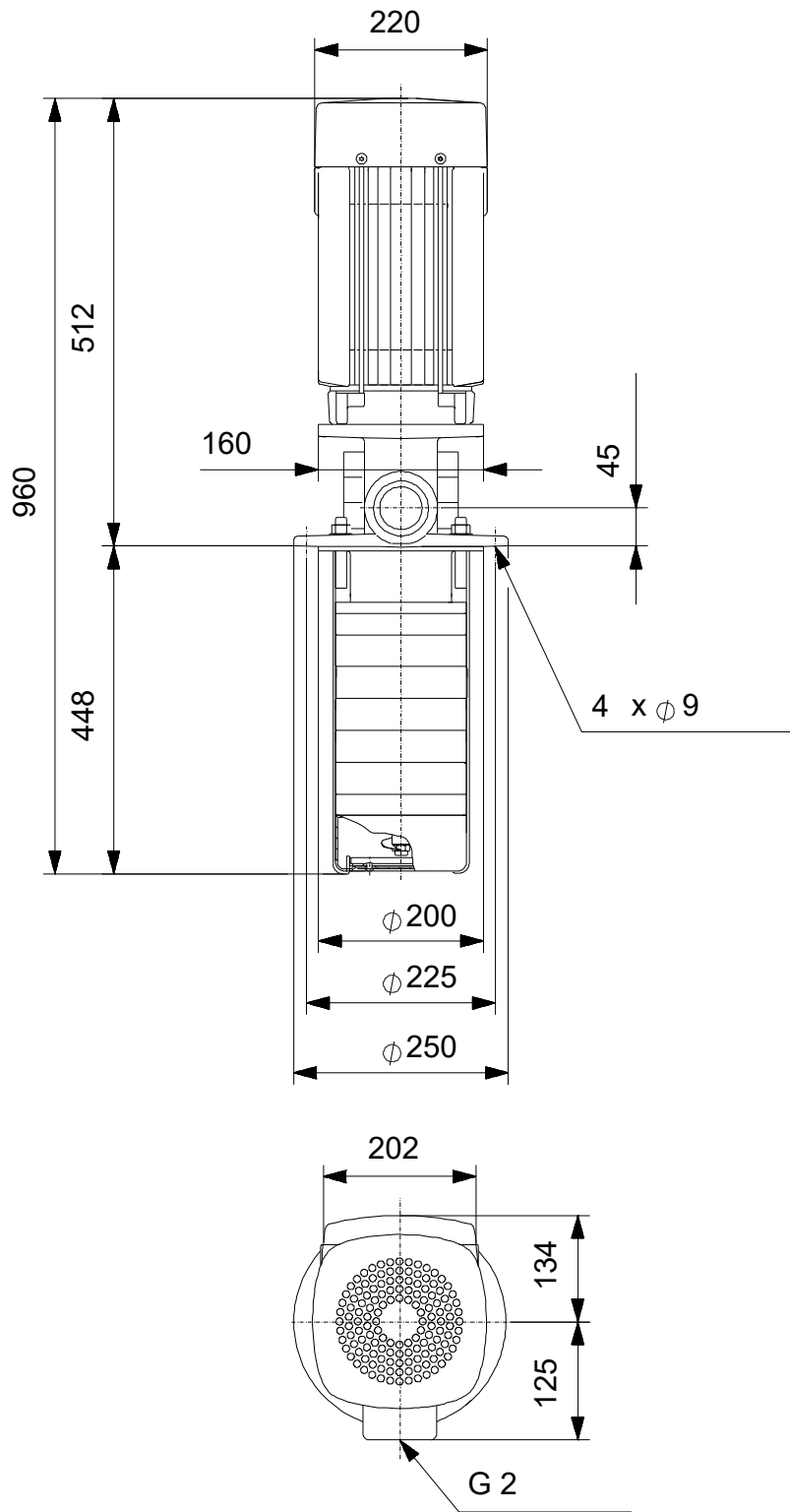


Description	Value
<b>General information:</b>	
Product name:	MTR 10-12/12 A-W-A-HUUV
Product No:	On request
EAN number:	On request
<b>Technical:</b>	
Pump speed on which pump data are based:	2917 rpm
Rated flow:	167 l/min
Rated head:	99.9 m
Chambers:	12
Impellers:	12
Number of reduced-diameter impellers:	0
Drainage back to tank:	N
Pump orientation:	Vertical
Code for shaft seal:	HUUV
Approvals:	CE,EAC
Curve tolerance:	ISO9906:2012 3B
Pump version:	A
Model:	A
<b>Materials:</b>	
Pump head:	Cast iron
Pump head:	EN 1561 EN-GJL-200
Pump head:	ASTM A48-25B
Impeller:	Stainless steel
Impeller:	EN 1.4301
Impeller:	AISI 304
Material code:	A
<b>Installation:</b>	
t max amb:	60 °C
Maximum operating pressure:	25 bar
Max pressure at stated temp:	25 bar / 90 °C
Type of connection:	G internal thread
Size of outlet connection:	2 inch
Immersion depth:	448 mm
Flange size for motor:	FT130
Connect code:	W
<b>Liquid:</b>	
Pumped liquid:	Water
Liquid temperature range:	-10 .. 90 °C
Selected liquid temperature:	20 °C
Density:	998.2 kg/m <sup>3</sup>
<b>Electrical data:</b>	
Motor standard:	IEC
Motor type:	112MC
IE Efficiency class:	IE3
Rated power - P2:	4 kW
Mains frequency:	50 Hz
Suitable for 50/60 Hz:	N
Rated voltage:	3 x 380-415D V
Rated current:	7.9 A
Starting current:	1000-1110 %
Cos phi - power factor:	0.87-0.87
Rated speed:	2920-2940 rpm
Efficiency:	IE3 88,1%
Motor efficiency at full load:	88.1 %
Motor efficiency at 3/4 load:	88.6 %
Motor efficiency at 1/2 load:	85.2 %
Number of poles:	2
Enclosure class (IEC 34-5):	55 Dust/Jetting
Insulation class (IEC 85):	F
Built-in motor protection:	PTC
Motor No:	85U15413
<b>Controls:</b>	



Description	Value
Frequency converter:	NONE
<b>Others:</b>	
Terminal box position:	6
Minimum efficiency index, MEI ≥:	0.70
Net weight:	52.3 kg
Gross weight:	55.9 kg
Shipping volume:	0.114 m <sup>3</sup>
Danish VVS No.:	386966012
Country of origin:	HU
Custom tariff no.:	84137075

# On request MTR 10-12/12 A-W-A-HUUV 50 Hz



Note! All units are in [mm] unless others are stated.  
Disclaimer: This simplified dimensional drawing does not show all details.

**On request MTR 10-12/12 A-W-A-HUUV 50 Hz**



Note! All units are in [mm] unless others are stated.

