
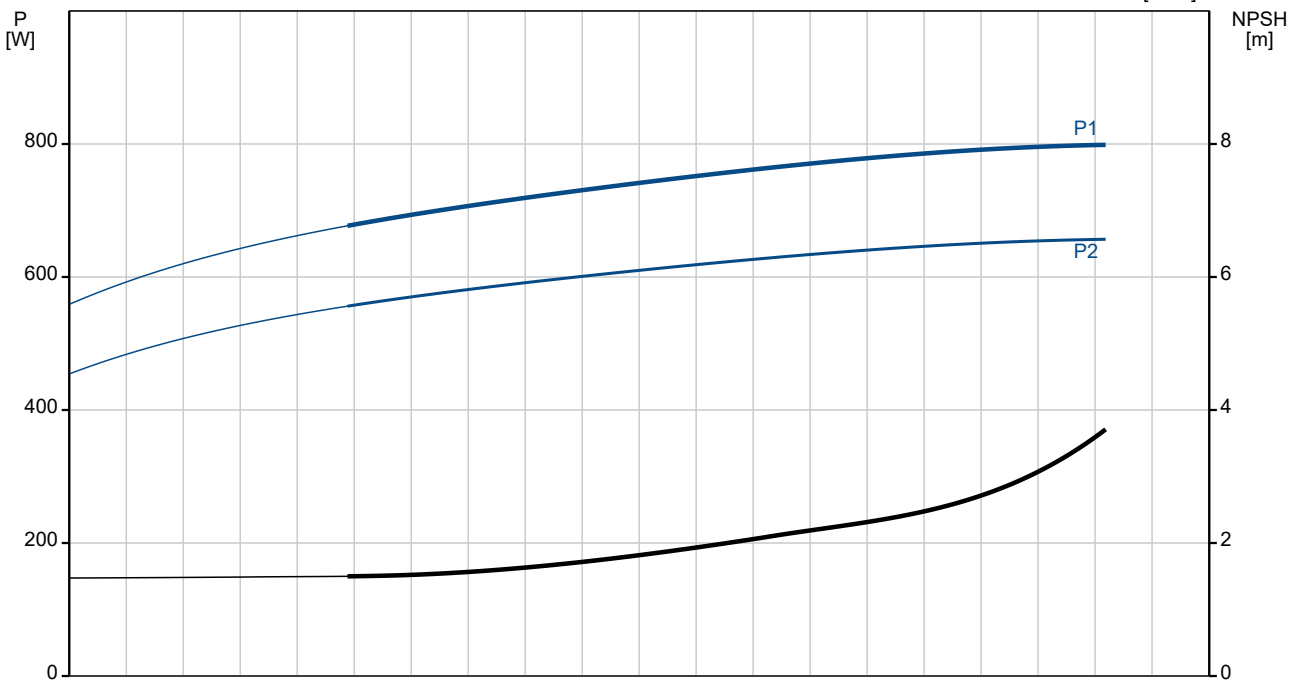
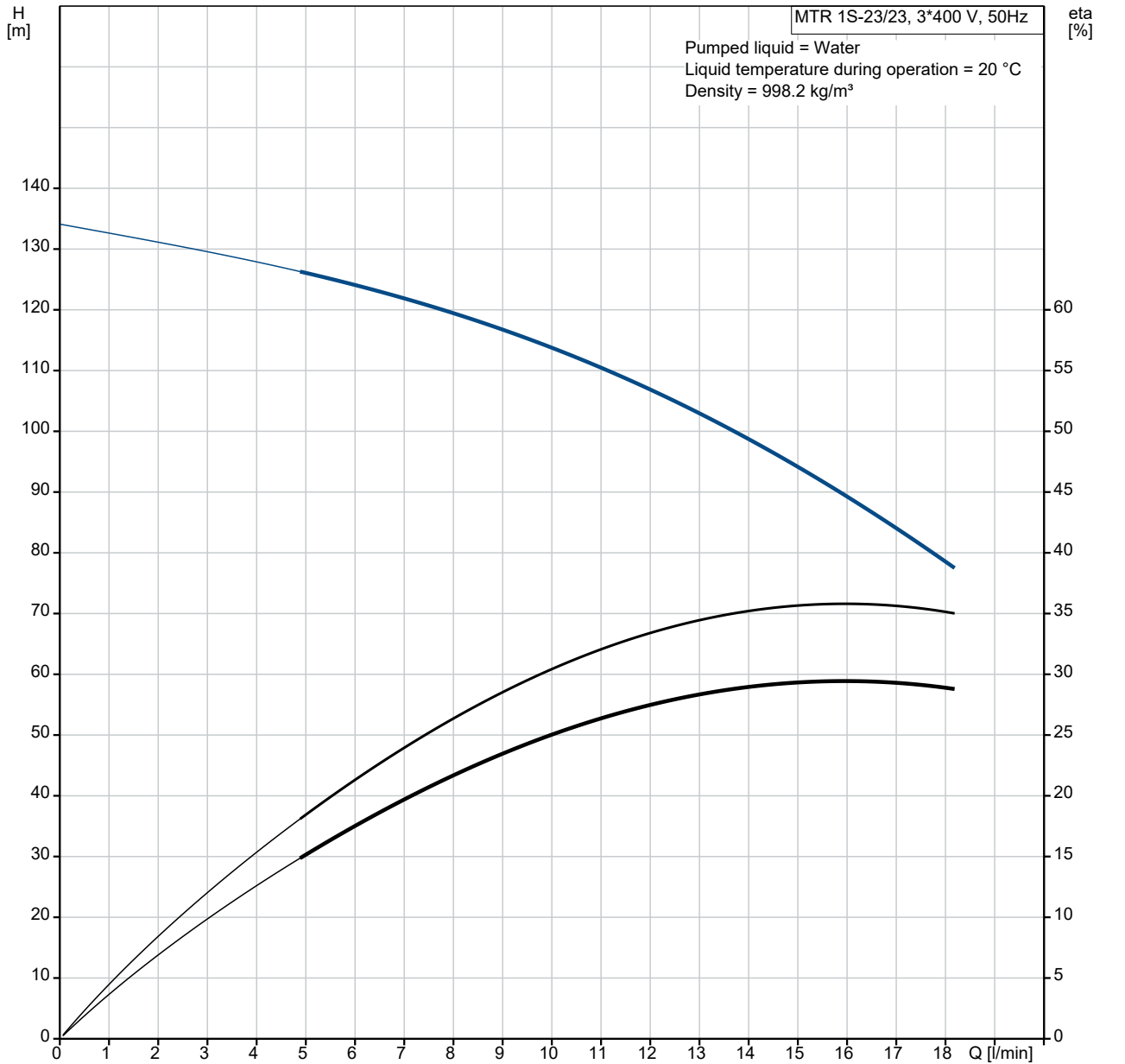


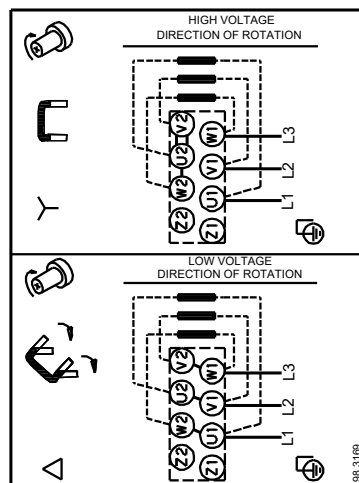
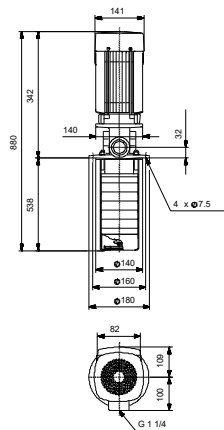
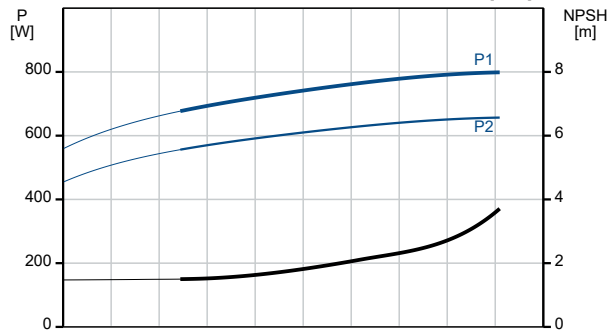
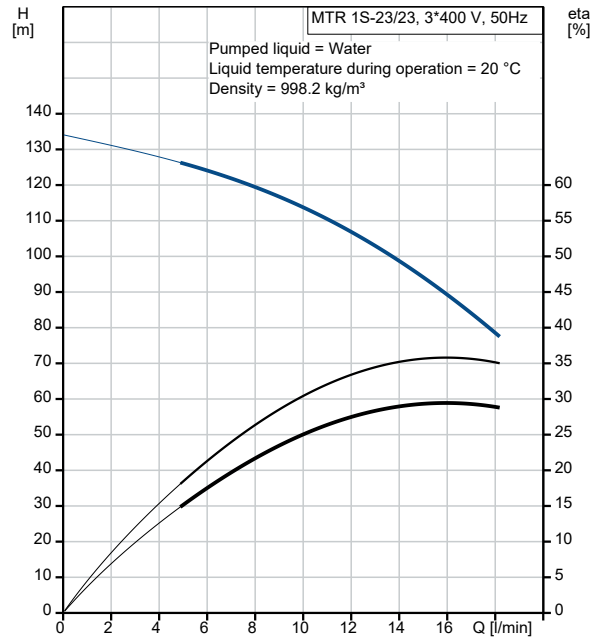
| Qty. | Description |
|------|--|
| 1 | MTR 1S-23/23 A-W-A-HUUV |
| |  |
| | Product No.: On request |
| | Multistage, immersible, self-priming, centrifugal pump for vertical installation in tanks etc. The pump head and base are in cast iron – all other wetted parts are in stainless steel. The pump has the following characteristics: |
| | <ul style="list-style-type: none"> • Dimensions according to DIN 5440. • Impellers, intermediate chambers and spline shaft are made of Stainless steel. • Mechanical shaft seal according to EN 12756. • Power transmission via sintered metal split coupling. |
| | A cartridge shaft seal ensures high reliability, safe handling, and easy access and service. The pump is fitted with a 3-phase, fan-cooled asynchronous motor. |
| | Controls: |
| | Frequency converter: NONE |
| | Liquid: |
| | Pumped liquid: Water |
| | Liquid temperature range: -10 .. 90 °C |
| | Selected liquid temperature: 20 °C |
| | Density: 998.2 kg/m ³ |
| | Technical: |
| | Pump speed on which pump data are based: 2864 rpm |
| | Rated flow: 15 l/min |
| | Rated head: 90.4 m |
| | Chambers: 23 |
| | Drainage back to tank: N |
| | Pump orientation: Vertical |
| | Code for shaft seal: HUUV |
| | Approvals: CE,EAC |
| | Curve tolerance: ISO9906:2012 3B |
| | Materials: |
| | Pump head: Cast iron EN 1561 EN-GJL-200 ASTM A48-25B Impeller: Stainless steel EN 1.4301 AISI 304 |
| | Installation: |
| | t max amb: 60 °C |
| | Maximum operating pressure: 25 bar |
| | Max pressure at stated temp: 25 bar / 90 °C |
| | Type of connection: G internal thread |
| | Size of outlet connection: 1 1/4 inch |
| | Immersion depth: 538 mm |
| | Flange size for motor: FT100 |
| | Electrical data: |
| | Motor standard: IEC |
| | Motor type: 80A |
| | IE Efficiency class: IE3 |
| | Rated power - P2: 0.75 kW |

| Qty. | Description | | | | | | | | | | | | | | | | | | | | | | | | | | | | | | | | | | | | | | | | | | | | | | | | |
|----------------------------------|---|------------------|-------|------------------------|---|----------------|-------------------------|----------------|-------------|-------------------|-----------|-------------------------|-----------|--------------|---------------|-------------|-----------|--------------------------------|--------|-------------------------------|--------|-------------------------------|--------|------------------|---|-----------------------------|-----------------|----------------------------|---|-----------|----------|---------|--|------------------------|---|----------------------------------|------|-------------|---------|---------------|---------|------------------|----------------------|-----------------|-----------|--------------------|----|--------------------|----------|
| 1 | <table> <tr> <td>Mains frequency:</td> <td>50 Hz</td> </tr> <tr> <td>Suitable for 50/60 Hz:</td> <td>N</td> </tr> <tr> <td>Rated voltage:</td> <td>3 x 220-240D/380-415Y V</td> </tr> <tr> <td>Rated current:</td> <td>3.30/1.90 A</td> </tr> <tr> <td>Starting current:</td> <td>580-620 %</td> </tr> <tr> <td>Cos phi - power factor:</td> <td>0.81-0.71</td> </tr> <tr> <td>Rated speed:</td> <td>2840-2870 rpm</td> </tr> <tr> <td>Efficiency:</td> <td>IE3 80,7%</td> </tr> <tr> <td>Motor efficiency at full load:</td> <td>80.7 %</td> </tr> <tr> <td>Motor efficiency at 3/4 load:</td> <td>82.7 %</td> </tr> <tr> <td>Motor efficiency at 1/2 load:</td> <td>81.7 %</td> </tr> <tr> <td>Number of poles:</td> <td>2</td> </tr> <tr> <td>Enclosure class (IEC 34-5):</td> <td>55 Dust/Jetting</td> </tr> <tr> <td>Insulation class (IEC 85):</td> <td>F</td> </tr> <tr> <td>Motor No:</td> <td>85U05104</td> </tr> <tr> <td colspan="2">Others:</td> </tr> <tr> <td>Terminal box position:</td> <td>6</td> </tr> <tr> <td>Minimum efficiency index, MEI ≥:</td> <td>0.67</td> </tr> <tr> <td>Net weight:</td> <td>15.1 kg</td> </tr> <tr> <td>Gross weight:</td> <td>18.7 kg</td> </tr> <tr> <td>Shipping volume:</td> <td>0.077 m³</td> </tr> <tr> <td>Danish VVS No.:</td> <td>386960023</td> </tr> <tr> <td>Country of origin:</td> <td>HU</td> </tr> <tr> <td>Custom tariff no.:</td> <td>84137075</td> </tr> </table> | Mains frequency: | 50 Hz | Suitable for 50/60 Hz: | N | Rated voltage: | 3 x 220-240D/380-415Y V | Rated current: | 3.30/1.90 A | Starting current: | 580-620 % | Cos phi - power factor: | 0.81-0.71 | Rated speed: | 2840-2870 rpm | Efficiency: | IE3 80,7% | Motor efficiency at full load: | 80.7 % | Motor efficiency at 3/4 load: | 82.7 % | Motor efficiency at 1/2 load: | 81.7 % | Number of poles: | 2 | Enclosure class (IEC 34-5): | 55 Dust/Jetting | Insulation class (IEC 85): | F | Motor No: | 85U05104 | Others: | | Terminal box position: | 6 | Minimum efficiency index, MEI ≥: | 0.67 | Net weight: | 15.1 kg | Gross weight: | 18.7 kg | Shipping volume: | 0.077 m ³ | Danish VVS No.: | 386960023 | Country of origin: | HU | Custom tariff no.: | 84137075 |
| Mains frequency: | 50 Hz | | | | | | | | | | | | | | | | | | | | | | | | | | | | | | | | | | | | | | | | | | | | | | | | |
| Suitable for 50/60 Hz: | N | | | | | | | | | | | | | | | | | | | | | | | | | | | | | | | | | | | | | | | | | | | | | | | | |
| Rated voltage: | 3 x 220-240D/380-415Y V | | | | | | | | | | | | | | | | | | | | | | | | | | | | | | | | | | | | | | | | | | | | | | | | |
| Rated current: | 3.30/1.90 A | | | | | | | | | | | | | | | | | | | | | | | | | | | | | | | | | | | | | | | | | | | | | | | | |
| Starting current: | 580-620 % | | | | | | | | | | | | | | | | | | | | | | | | | | | | | | | | | | | | | | | | | | | | | | | | |
| Cos phi - power factor: | 0.81-0.71 | | | | | | | | | | | | | | | | | | | | | | | | | | | | | | | | | | | | | | | | | | | | | | | | |
| Rated speed: | 2840-2870 rpm | | | | | | | | | | | | | | | | | | | | | | | | | | | | | | | | | | | | | | | | | | | | | | | | |
| Efficiency: | IE3 80,7% | | | | | | | | | | | | | | | | | | | | | | | | | | | | | | | | | | | | | | | | | | | | | | | | |
| Motor efficiency at full load: | 80.7 % | | | | | | | | | | | | | | | | | | | | | | | | | | | | | | | | | | | | | | | | | | | | | | | | |
| Motor efficiency at 3/4 load: | 82.7 % | | | | | | | | | | | | | | | | | | | | | | | | | | | | | | | | | | | | | | | | | | | | | | | | |
| Motor efficiency at 1/2 load: | 81.7 % | | | | | | | | | | | | | | | | | | | | | | | | | | | | | | | | | | | | | | | | | | | | | | | | |
| Number of poles: | 2 | | | | | | | | | | | | | | | | | | | | | | | | | | | | | | | | | | | | | | | | | | | | | | | | |
| Enclosure class (IEC 34-5): | 55 Dust/Jetting | | | | | | | | | | | | | | | | | | | | | | | | | | | | | | | | | | | | | | | | | | | | | | | | |
| Insulation class (IEC 85): | F | | | | | | | | | | | | | | | | | | | | | | | | | | | | | | | | | | | | | | | | | | | | | | | | |
| Motor No: | 85U05104 | | | | | | | | | | | | | | | | | | | | | | | | | | | | | | | | | | | | | | | | | | | | | | | | |
| Others: | | | | | | | | | | | | | | | | | | | | | | | | | | | | | | | | | | | | | | | | | | | | | | | | | |
| Terminal box position: | 6 | | | | | | | | | | | | | | | | | | | | | | | | | | | | | | | | | | | | | | | | | | | | | | | | |
| Minimum efficiency index, MEI ≥: | 0.67 | | | | | | | | | | | | | | | | | | | | | | | | | | | | | | | | | | | | | | | | | | | | | | | | |
| Net weight: | 15.1 kg | | | | | | | | | | | | | | | | | | | | | | | | | | | | | | | | | | | | | | | | | | | | | | | | |
| Gross weight: | 18.7 kg | | | | | | | | | | | | | | | | | | | | | | | | | | | | | | | | | | | | | | | | | | | | | | | | |
| Shipping volume: | 0.077 m ³ | | | | | | | | | | | | | | | | | | | | | | | | | | | | | | | | | | | | | | | | | | | | | | | | |
| Danish VVS No.: | 386960023 | | | | | | | | | | | | | | | | | | | | | | | | | | | | | | | | | | | | | | | | | | | | | | | | |
| Country of origin: | HU | | | | | | | | | | | | | | | | | | | | | | | | | | | | | | | | | | | | | | | | | | | | | | | | |
| Custom tariff no.: | 84137075 | | | | | | | | | | | | | | | | | | | | | | | | | | | | | | | | | | | | | | | | | | | | | | | | |

On request MTR 1S-23/23 A-W-A-HUUV 50 Hz

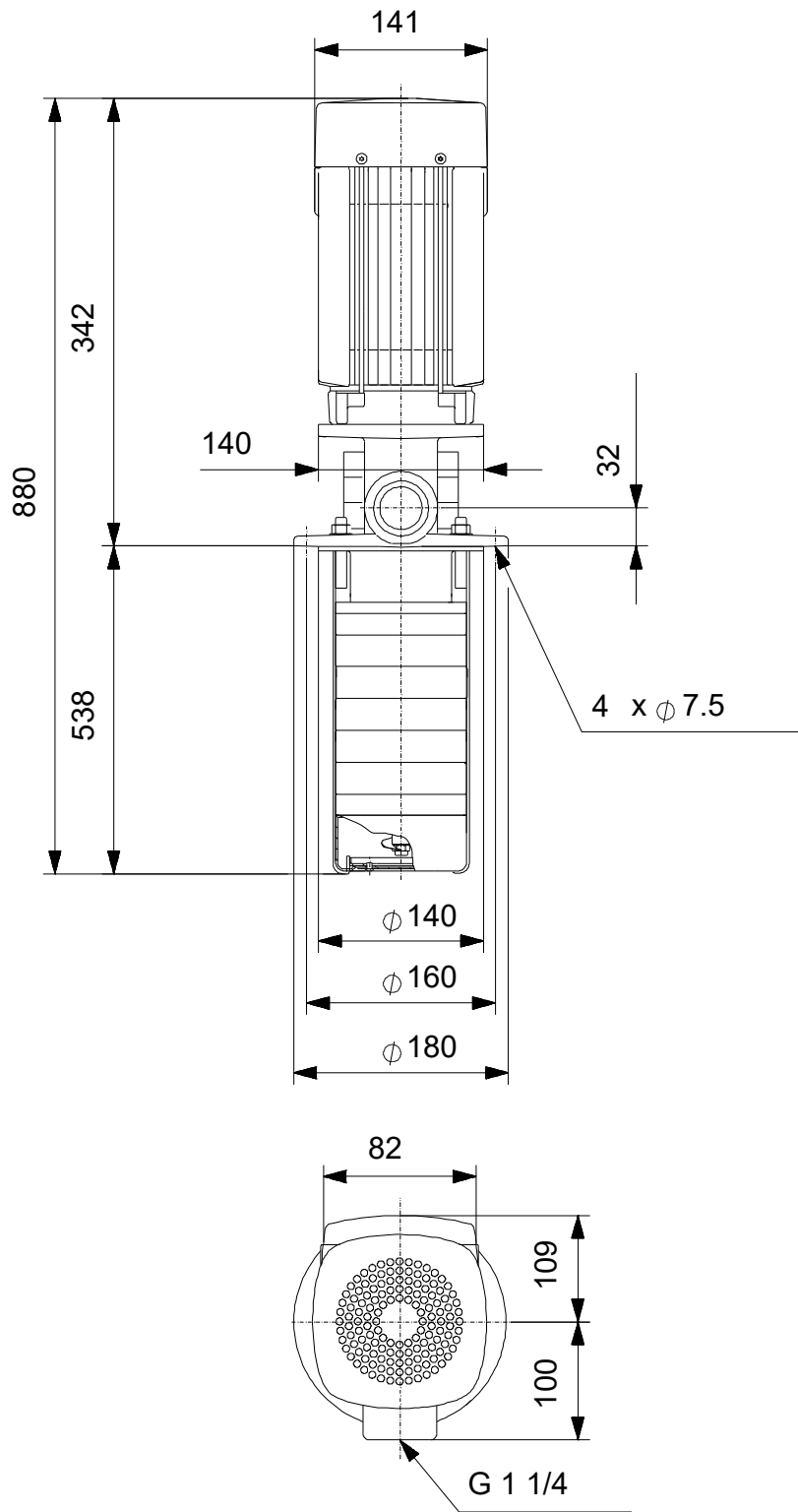


| Description | Value |
|--|----------------------------|
| General information: | |
| Product name: | MTR 1S-23/23 A-W-A-HUUU |
| Product No: | On request |
| EAN number: | On request |
| Technical: | |
| Pump speed on which pump data are based: | 2864 rpm |
| Rated flow: | 15 l/min |
| Rated head: | 90.4 m |
| Chambers: | 23 |
| Impellers: | 23 |
| Number of reduced-diameter impellers: | 0 |
| Drainage back to tank: | N |
| Pump orientation: | Vertical |
| Code for shaft seal: | HUUU |
| Approvals: | CE,EAC |
| Curve tolerance: | ISO9906:2012 3B |
| Pump version: | A |
| Model: | A |
| Materials: | |
| Pump head: | Cast iron |
| Pump head: | EN 1561 EN-GJL-200 |
| Pump head: | ASTM A48-25B |
| Impeller: | Stainless steel |
| Impeller: | EN 1.4301 |
| Impeller: | AISI 304 |
| Material code: | A |
| Installation: | |
| t max amb: | 60 °C |
| Maximum operating pressure: | 25 bar |
| Max pressure at stated temp: | 25 bar / 90 °C |
| Type of connection: | G internal thread |
| Size of outlet connection: | 1 1/4 inch |
| Immersion depth: | 538 mm |
| Flange size for motor: | FT100 |
| Connect code: | W |
| Liquid: | |
| Pumped liquid: | Water |
| Liquid temperature range: | -10 .. 90 °C |
| Selected liquid temperature: | 20 °C |
| Density: | 998.2 kg/m ³ |
| Electrical data: | |
| Motor standard: | IEC |
| Motor type: | 80A |
| IE Efficiency class: | IE3 |
| Rated power - P2: | 0.75 kW |
| Mains frequency: | 50 Hz |
| Suitable for 50/60 Hz: | N |
| Rated voltage: | 3 x 220-240D/380-415Y V |
| Rated current: | 3.30/1.90 A |
| Starting current: | 580-620 % |
| Cos phi - power factor: | 0.81-0.71 |
| Rated speed: | 2840-2870 rpm |
| Efficiency: | IE3 80,7% |
| Motor efficiency at full load: | 80.7 % |
| Motor efficiency at 3/4 load: | 82.7 % |
| Motor efficiency at 1/2 load: | 81.7 % |
| Number of poles: | 2 |
| Enclosure class (IEC 34-5): | 55 Dust/Jetting |
| Insulation class (IEC 85): | F |
| Built-in motor protection: | NONE |
| Motor No: | 85U05104 |
| Controls: | |



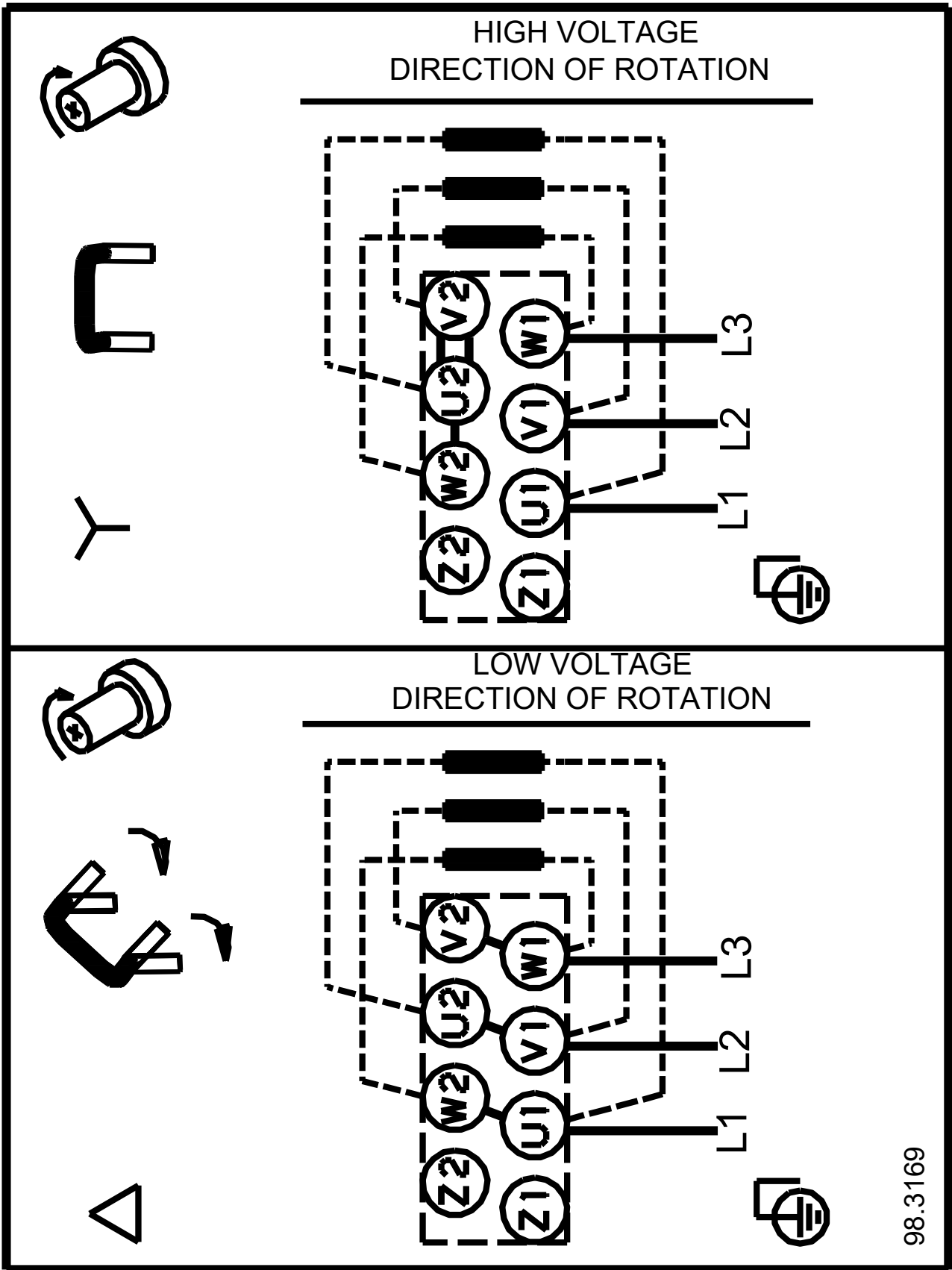
| Description | Value |
|----------------------------------|----------------------|
| Frequency converter: | NONE |
| Others: | |
| Terminal box position: | 6 |
| Minimum efficiency index, MEI ≥: | 0.67 |
| Net weight: | 15.1 kg |
| Gross weight: | 18.7 kg |
| Shipping volume: | 0.077 m ³ |
| Danish VVS No.: | 386960023 |
| Country of origin: | HU |
| Custom tariff no.: | 84137075 |

On request MTR 1S-23/23 A-W-A-HUUV 50 Hz



Note! All units are in [mm] unless others are stated.
Disclaimer: This simplified dimensional drawing does not show all details.

On request MTR 1S-23/23 A-W-A-HUUV 50 Hz



98.3169

Note! All units are in [mm] unless others are stated.

