
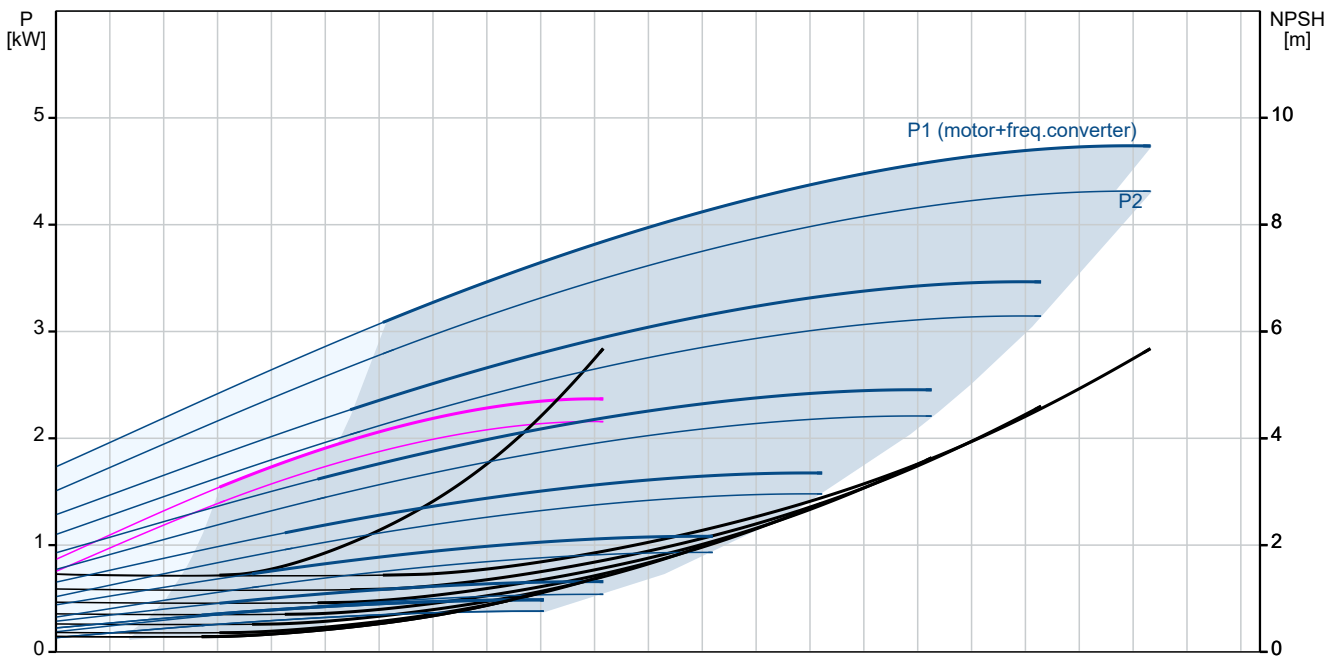
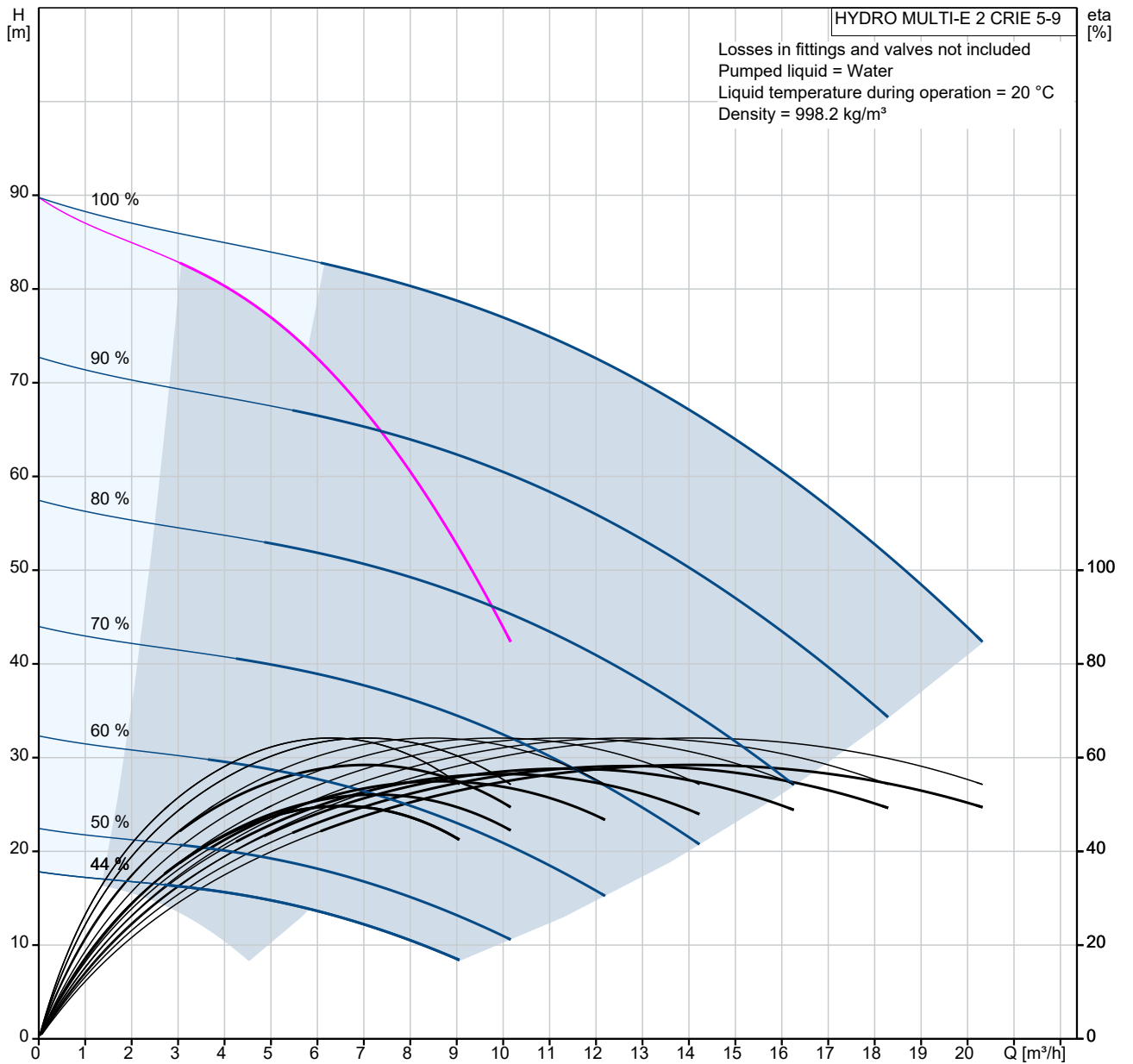


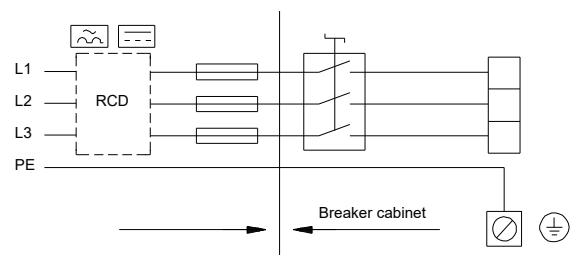
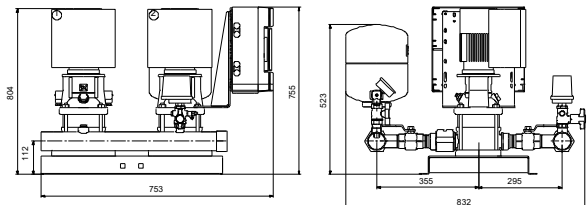
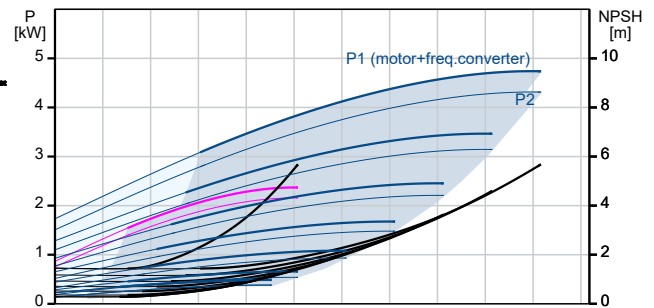
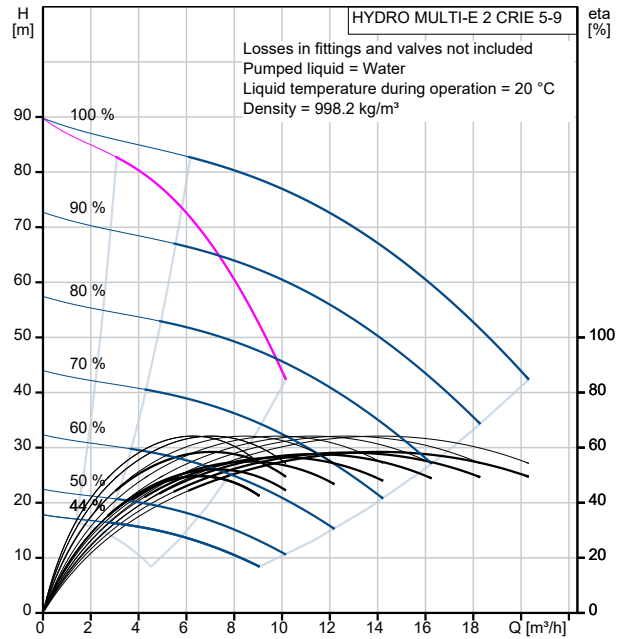
Qty.	Description
1	<p data-bbox="201 159 523 188">HYDRO MULTI-E 2 CRIE 5-9</p> <div data-bbox="285 271 491 465" style="text-align: center;">  </div> <p data-bbox="592 506 1064 530" style="text-align: center;">Note! Product picture may differ from actual product</p> <p data-bbox="201 537 466 562">Product No.: 98486772</p> <p data-bbox="201 598 1372 649">GRUNDFOS Hydro Multi-E booster sets are designed for the transfer and pressure boosting of clean water in waterworks, blocks of flats, hotels, industry, hospitals, schools, etc.</p> <p data-bbox="201 656 1453 707">GRUNDFOS Hydro Multi-E booster set consists of 2 to 4 CRIE pumps coupled in parallel and mounted on a common base frame provided with all the necessary fittings.</p> <p data-bbox="201 743 1235 770">Hydro Multi-E is mounted on a common base frame made of stainless steel (DIN W.-Nr. 1.4301).</p> <p data-bbox="201 777 845 804">On the suction side are fitted a suction manifold (DIN W.-Nr.</p> <p data-bbox="201 810 432 837">1.4401 or DIN W.-Nr.</p> <p data-bbox="201 844 1062 871">1.4571) , a pressure switch mounted on a drainable valve and an isolating valve.</p> <p data-bbox="201 878 1437 929">On the discharge side of the pumps are fitted a non-return valve, an isolating valve, a pressure gauge, two pressure transmitters mounted on a drainable valve a diaphragm tank and a stainless steel discharge manifold (DIN W.-Nr.</p> <p data-bbox="201 958 432 985">1.4401 or DIN W.-Nr.</p> <p data-bbox="201 992 293 1019">1.4571).</p> <p data-bbox="201 1025 949 1052">The Hydro Multi-E is fitted with an on/off-switch for the supply voltage.</p> <p data-bbox="201 1081 1374 1108">The Hydro Multi-E is designed for maintaining a constant pressure regardless of flow changes and fluctuation.</p> <p data-bbox="201 1137 1382 1189">The internal PI-controller regulates the number of running pumps and the speed of the pumps according to the required flow.</p> <p data-bbox="201 1218 1433 1245">The system can be operated directly on the panel of any of the pumps or via Grundfos GO (available as accessory)</p> <p data-bbox="201 1305 513 1332">Besides the system features:</p> <ul data-bbox="201 1339 845 1570" style="list-style-type: none"> 2 Digital outputs 2 Digital inputs (one used for dry run protection) 2 Analogue inputs (one used for discharge pressure sensor) Multi-Master functionality 2 Limit functions Set-point influence function Pipe filling function High efficient PM motors <p data-bbox="201 1599 584 1626">Available communication protocols:</p> <ul data-bbox="201 1632 402 1899" style="list-style-type: none"> •LON •Profibus •Modbus •SMS/GSM/GPRS •GRM •BACnet •BACnet IP •Modbus TCP •PROFINET <p data-bbox="201 1935 1281 1962">When delivered, the GRUNDFOS Hydro Multi-E booster set is factory tested and ready for operation.</p> <p data-bbox="201 2022 633 2080">Liquid: Pumped liquid: Water</p>

Qty.	Description
1	<p>Liquid temperature range: 5 .. 60 °C Selected liquid temperature: 20 °C Density: 998.2 kg/m³</p> <p>Technical: Max flow: 20.4 m³/h</p> <p>Materials: Pump housing: Stainless steel</p> <p>Installation: Maximum operating pressure: 16 bar Maximum permissible inlet pressure: PN 16 bar Flange standard: DIN ISO 7/1 Manifold inlet: R 2 Manifold outlet: R 2</p> <p>Electrical data: IE Efficiency class: IE5 Power (P2) main pump: 2.2 kW Mains frequency: 50 / 60 Hz Rated voltage: 3 x 380-415 V Rated current: 8.1 A Start. method: electronically Enclosure class (IEC 34-5): IP54</p> <p>Tank: Volume of pressure tank: 12 l Diaphragm tank: Yes</p> <p>Others: Net weight: 96 kg Gross weight: 108 kg Shipping volume: 0.422 m³ Language: GB Danish VVS No.: 385552059 Finnish LVI No.: 4925354 Country of origin: GB Custom tariff no.: 84137075</p>

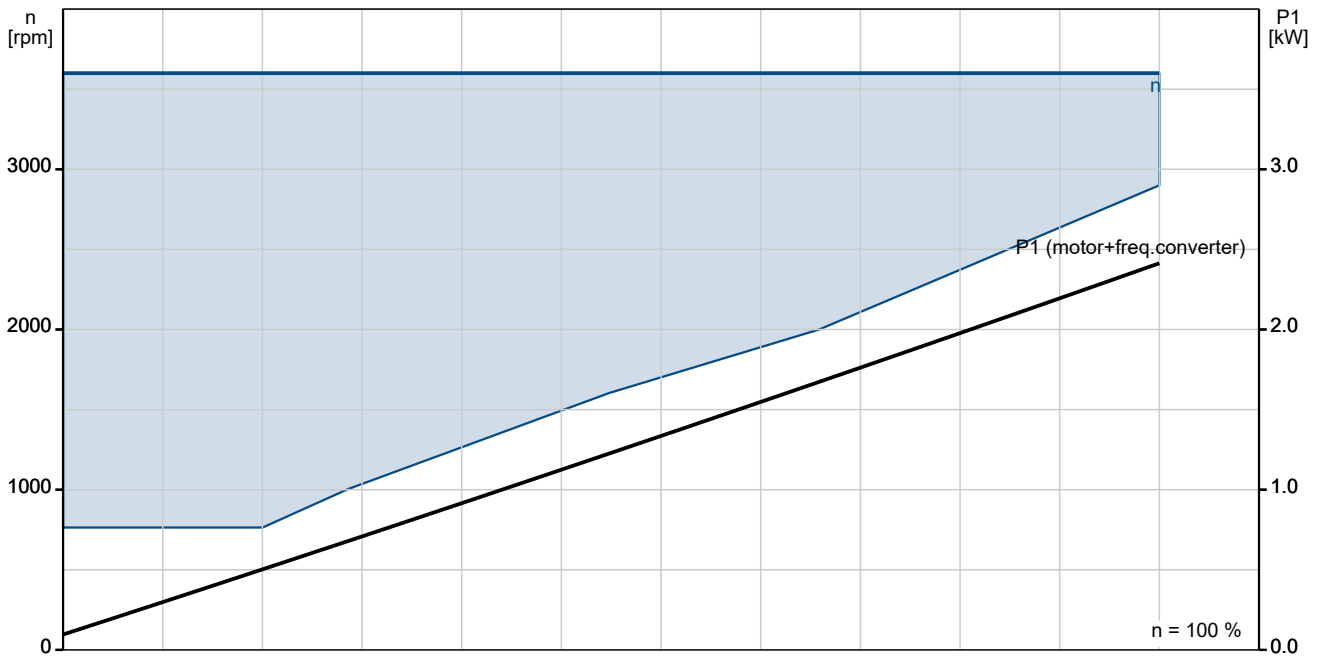
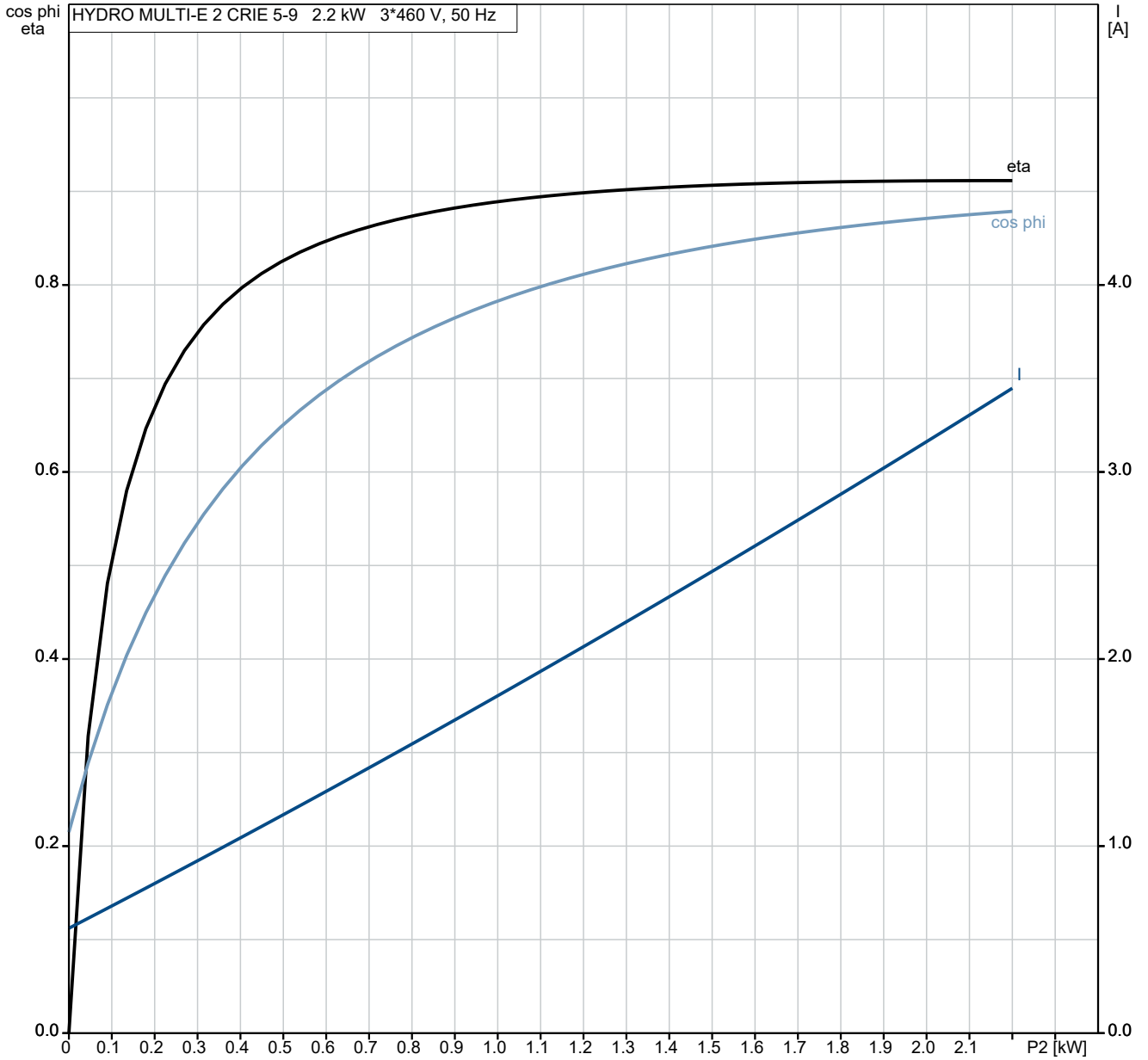
98486772 HYDRO MULTI-E 2 CRIE 5-9



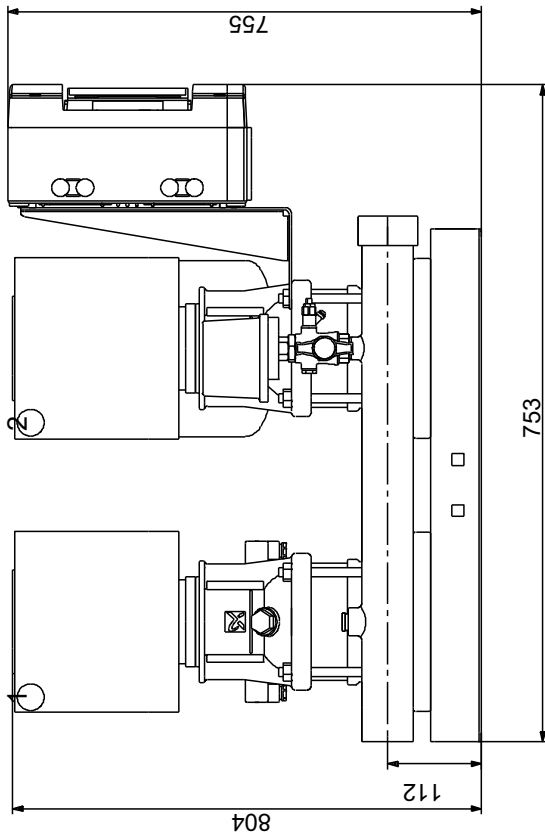
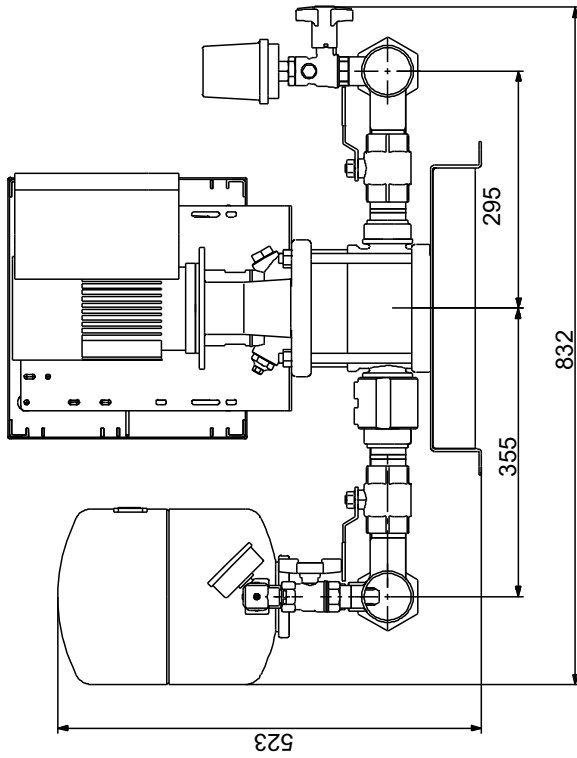
Description	Value
General information:	
Product name:	HYDRO MULTI-E 2 CRIE 5-9
Product No:	98486772
EAN number:	5711495954390
Technical:	
Max flow:	20.4 m ³ /h
Min flow system:	0.69 m ³ /h
Head max:	93 m
Pump name:	CRIE 5-9
Number of pumps:	2
Materials:	
Pump housing:	Stainless steel
Manifolds:	Stainless steel
Installation:	
Maximum operating pressure:	16 bar
Maximum permissible inlet pressure:	PN 16 bar
Liquid:	
Pumped liquid:	Water
Liquid temperature range:	5 .. 60 °C
Selected liquid temperature:	20 °C
Density:	998.2 kg/m ³
Electrical data:	
IE Efficiency class:	IE5
Power (P2) main pump:	2.2 kW
Mains frequency:	50 / 60 Hz
Rated voltage:	3 x 380-415 V
Rated current:	8.1 A
Start. method:	electronically
Enclosure class (IEC 34-5):	IP54
Tank:	
Volume of pressure tank:	12 l
Diaphragm tank:	Yes
Others:	
Net weight:	96 kg
Gross weight:	108 kg
Shipping volume:	0.422 m ³
Language:	GB
Danish VVS No.:	385552059
Finnish LVI No.:	4925354
Country of origin:	GB
Custom tariff no.:	84137075



98486772 HYDRO MULTI-E 2 CRIE 5-9

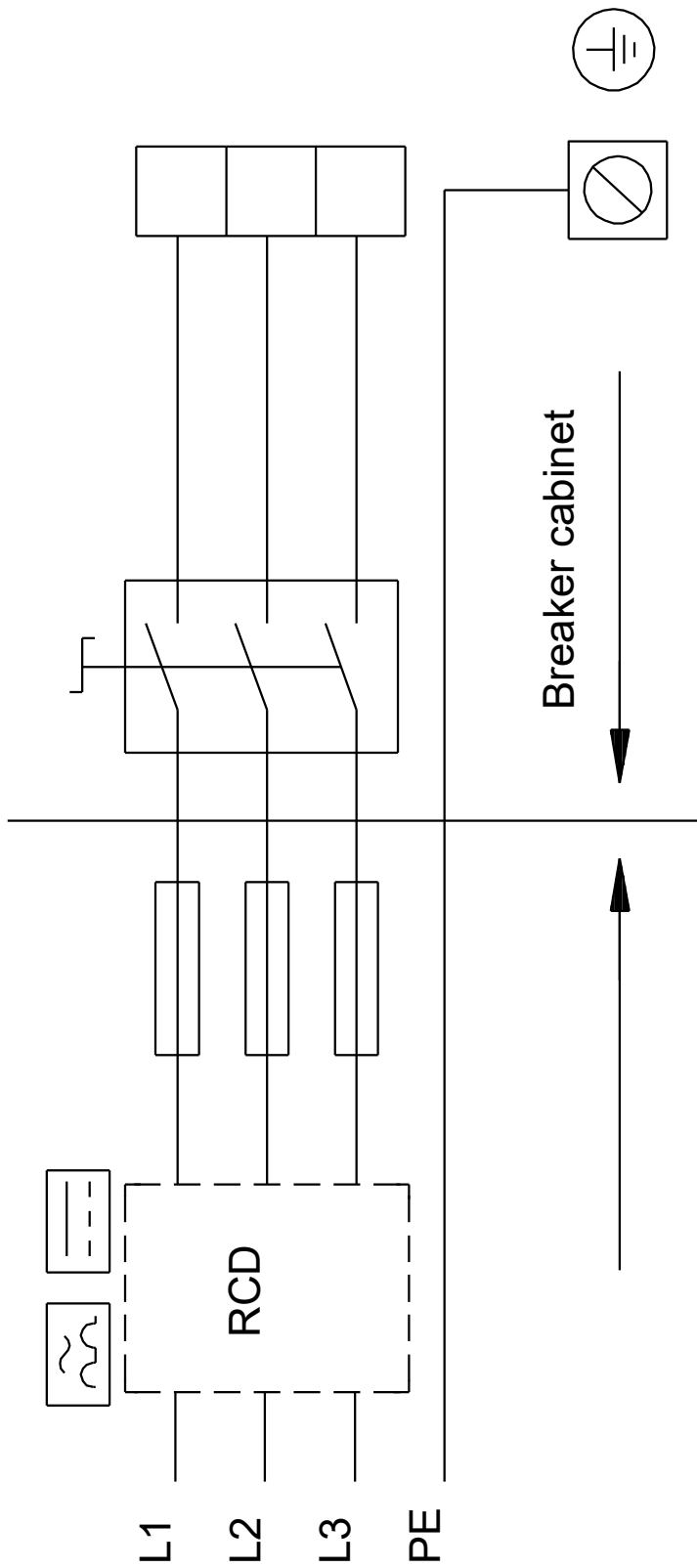


98486772 HYDRO MULTI-E 2 CRIE 5-9



Note! All units are in [mm] unless others are stated.
Disclaimer: This simplified dimensional drawing does not show all details.

98486772 HYDRO MULTI-E 2 CRIE 5-9



Note! All units are in [mm] unless others are stated.

