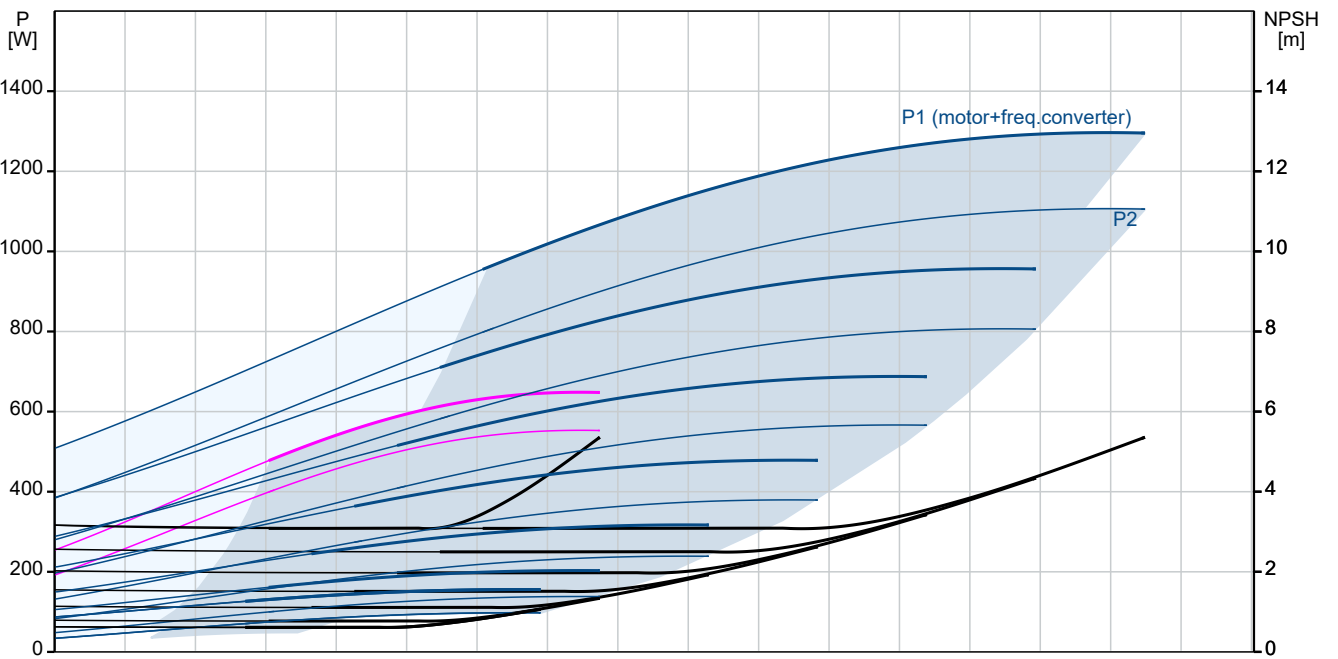
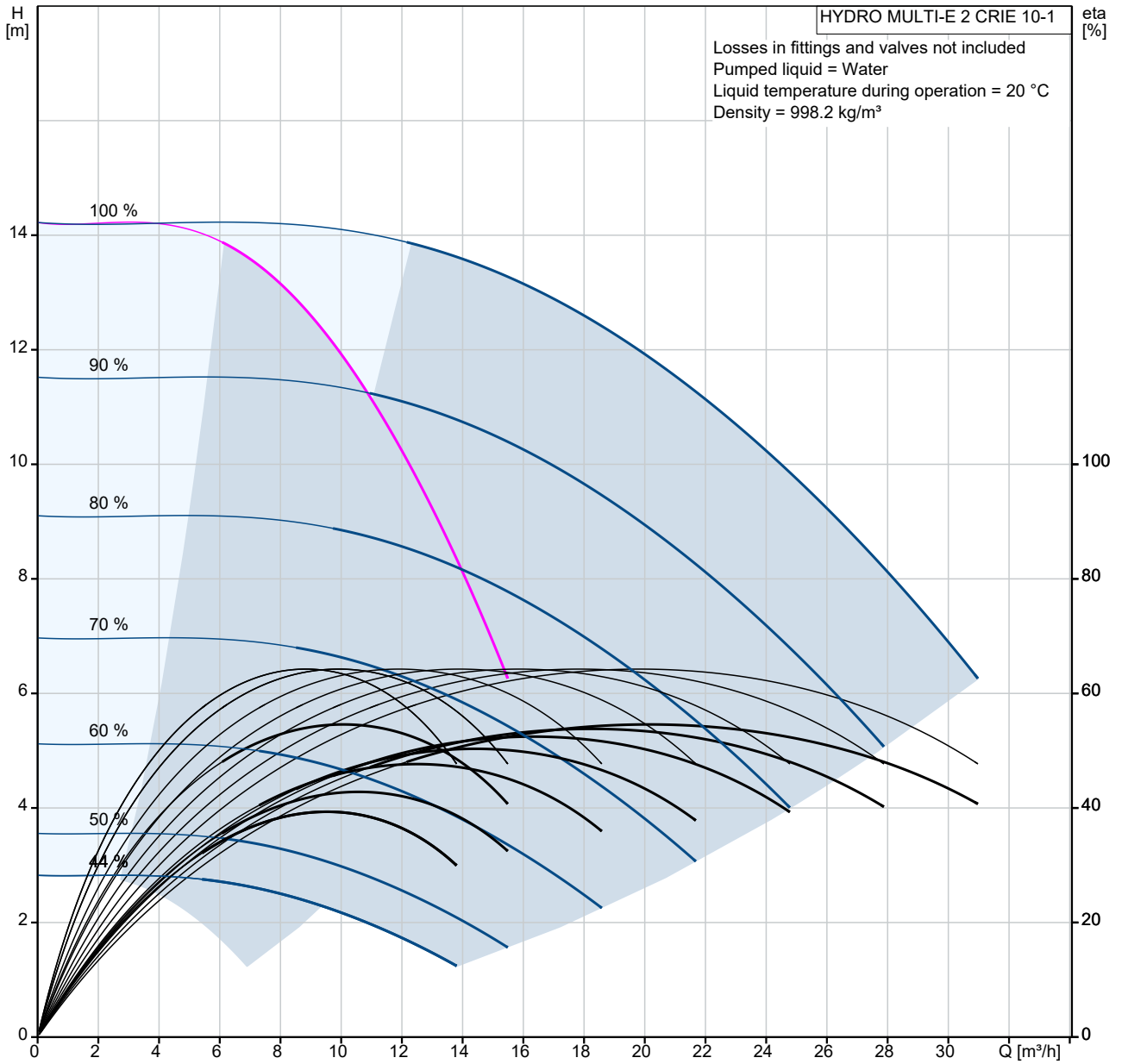


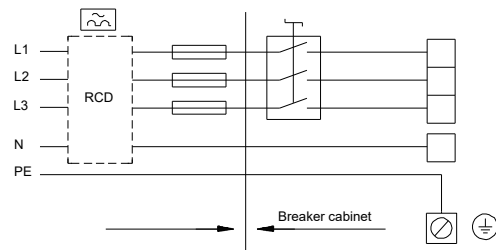
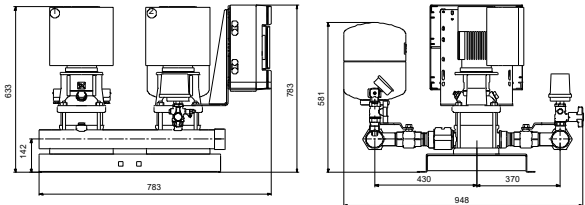
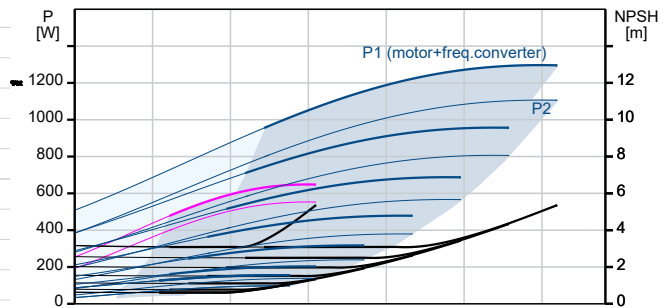
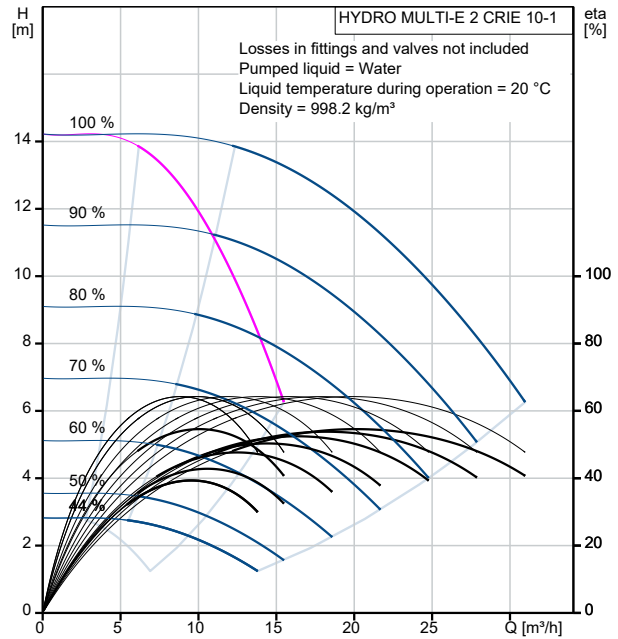


Qty.	Description
1	<p>Liquid temperature range: 5 .. 60 °C  Selected liquid temperature: 20 °C  Density: 998.2 kg/m<sup>3</sup></p> <p>Technical:  Max flow: 31.4 m<sup>3</sup>/h</p> <p>Materials:  Pump housing: Stainless steel</p> <p>Installation:  Maximum operating pressure: 10 bar  Maximum permissible inlet pressure: PN 10 bar  Flange standard: DIN ISO 7/1  Manifold inlet: R 2 1/2  Manifold outlet: R 2 1/2</p> <p>Electrical data:  IE Efficiency class: IE5  Power (P2) main pump: 0.75 kW  Mains frequency: 50 / 60 Hz  Rated voltage: 3 x 380-415 V  Phase main pump: 1  Rated current: 5.8 A  Start. method: electronically  Enclosure class (IEC 34-5): IP54</p> <p>Tank:  Volume of pressure tank: 8 l  Diaphragm tank: Yes</p> <p>Others:  Net weight: 111 kg  Gross weight: 120 kg  Shipping volume: 0.447 m<sup>3</sup>  Language: GB  Danish VVS No.: 385552101  Country of origin: GB  Custom tariff no.: 84137075</p>

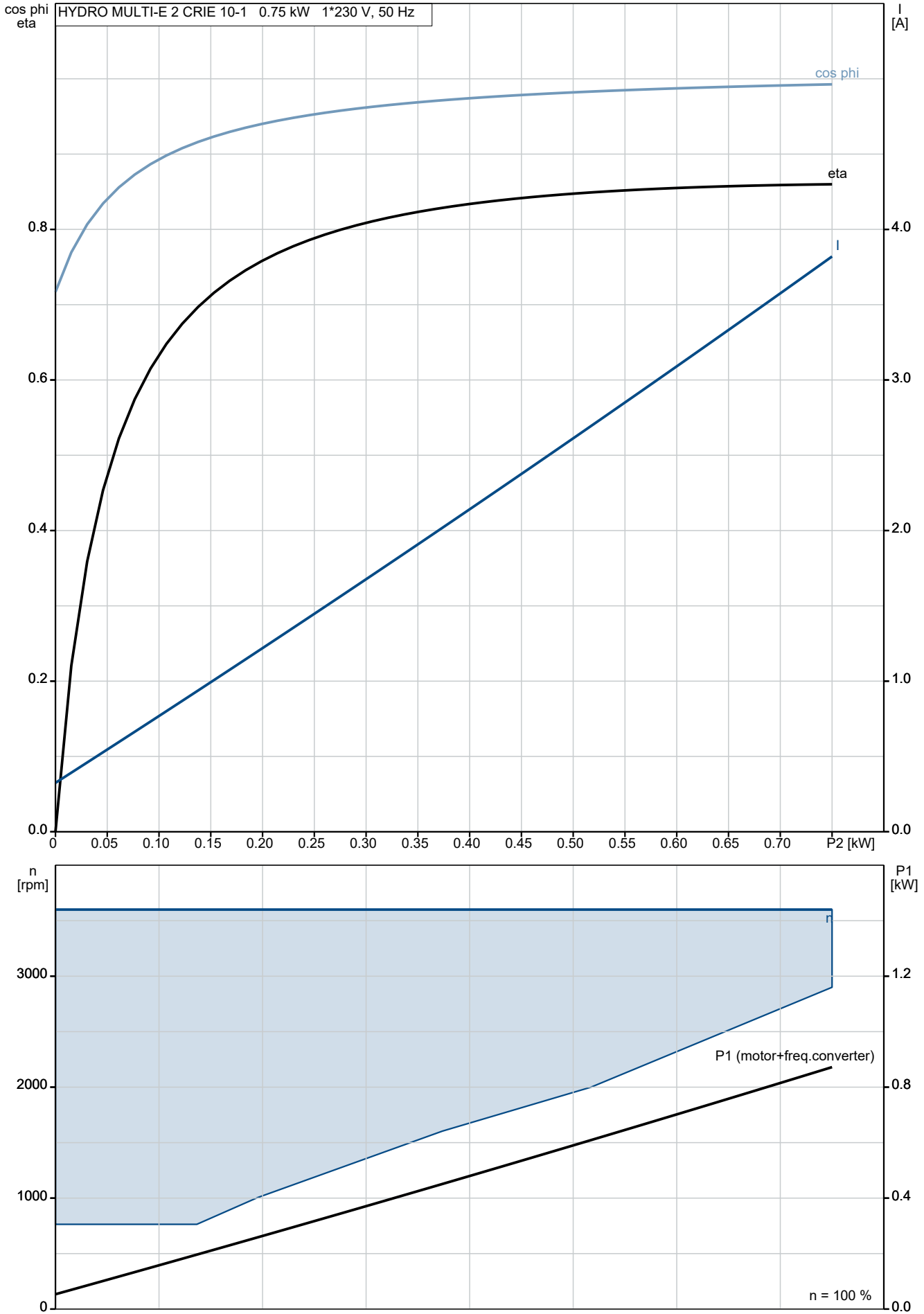
# 98486617 HYDRO MULTI-E 2 CRIE 10-1



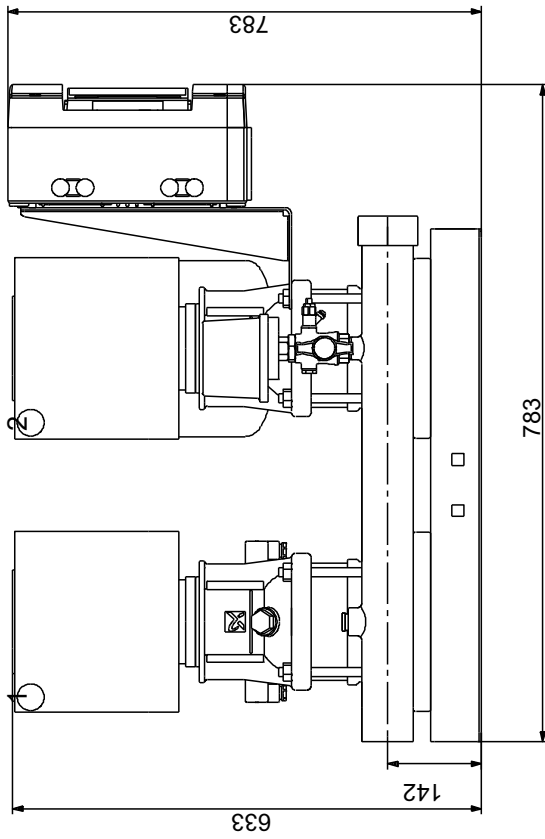
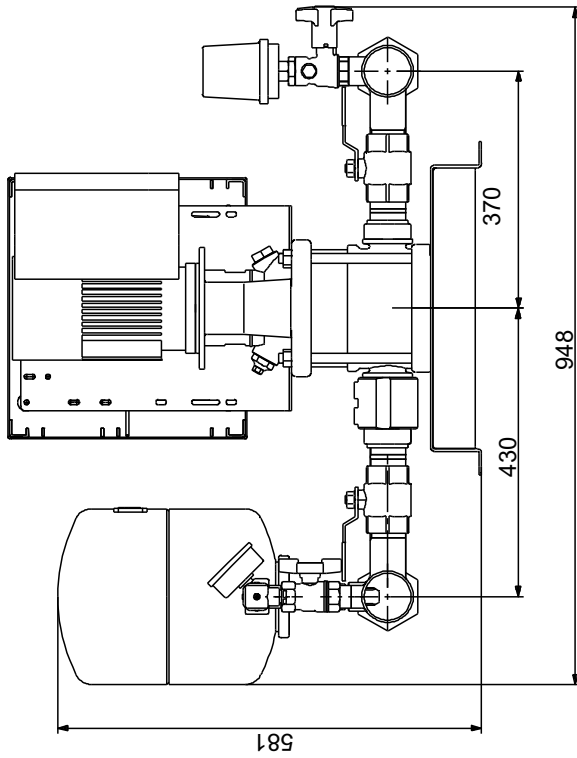
Description	Value
<b>General information:</b>	
Product name:	HYDRO MULTI-E 2 CRIE 10-1
Product No:	98486617
EAN number:	5711495952938
<b>Technical:</b>	
Max flow:	31.4 m <sup>3</sup> /h
Min flow system:	1.21 m <sup>3</sup> /h
Head max:	14 m
Pump name:	CRIE 10-1
Number of pumps:	2
<b>Materials:</b>	
Pump housing:	Stainless steel
Manifolds:	Stainless steel
<b>Installation:</b>	
Maximum operating pressure:	10 bar
Maximum permissible inlet pressure:	PN 10 bar
<b>Liquid:</b>	
Pumped liquid:	Water
Liquid temperature range:	5 .. 60 °C
Selected liquid temperature:	20 °C
Density:	998.2 kg/m <sup>3</sup>
<b>Electrical data:</b>	
IE Efficiency class:	IE5
Power (P2) main pump:	0.75 kW
Mains frequency:	50 / 60 Hz
Rated voltage:	3 x 380-415 V
Phase main pump:	1
Rated current:	5.8 A
Start. method:	electronically
Enclosure class (IEC 34-5):	IP54
<b>Tank:</b>	
Volume of pressure tank:	8 l
Diaphragm tank:	Yes
<b>Others:</b>	
Net weight:	111 kg
Gross weight:	120 kg
Shipping volume:	0.447 m <sup>3</sup>
Language:	GB
Danish VVS No.:	385552101
Country of origin:	GB
Custom tariff no.:	84137075



# 98486617 HYDRO MULTI-E 2 CRIE 10-1

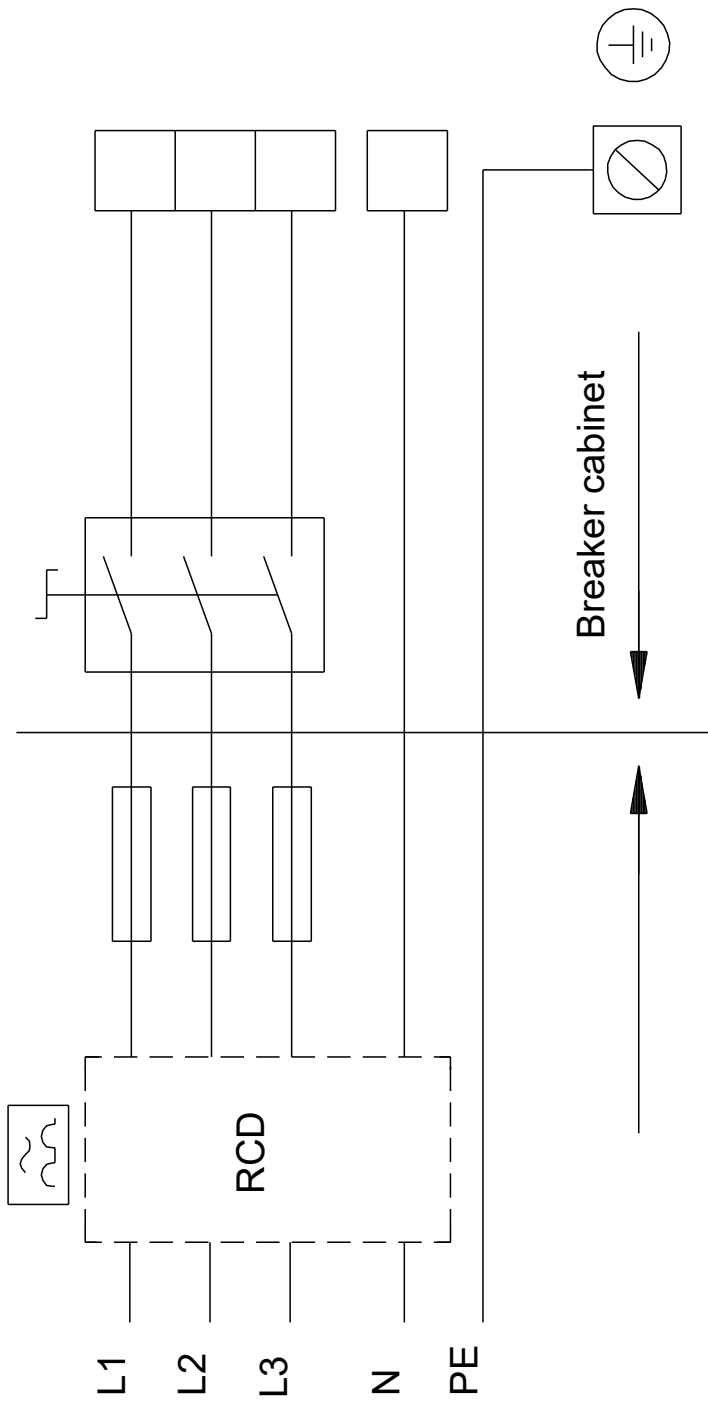


# 98486617 HYDRO MULTI-E 2 CRIE 10-1



Note! All units are in [mm] unless others are stated.  
Disclaimer: This simplified dimensional drawing does not show all details.

# 98486617 HYDRO MULTI-E 2 CRIE 10-1



Note! All units are in [mm] unless others are stated.

