
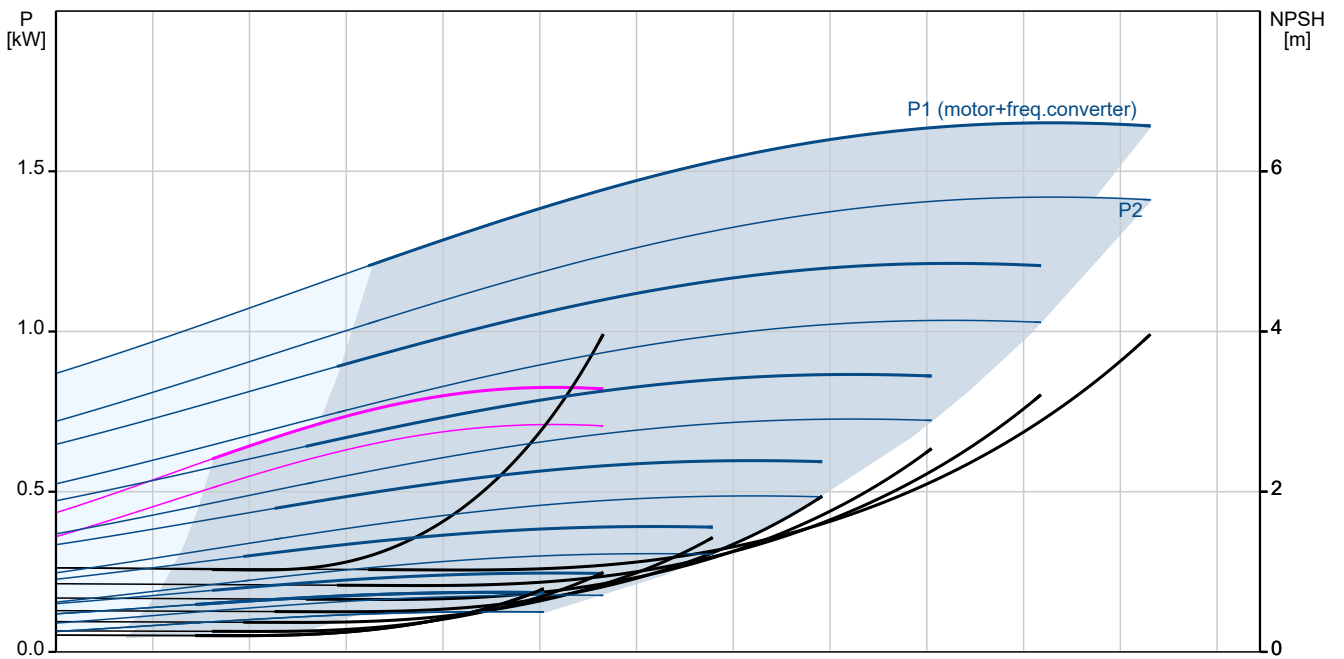
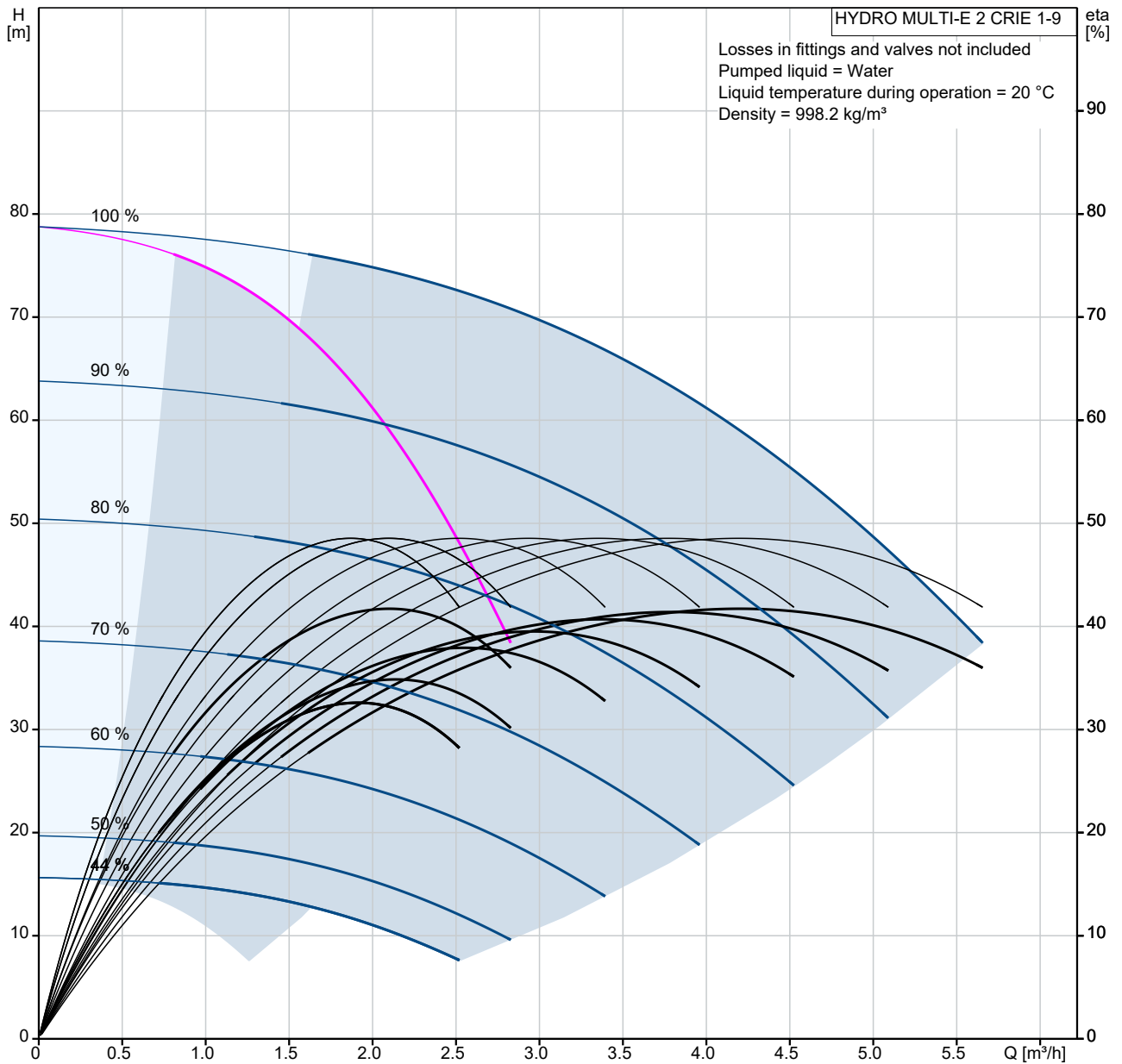


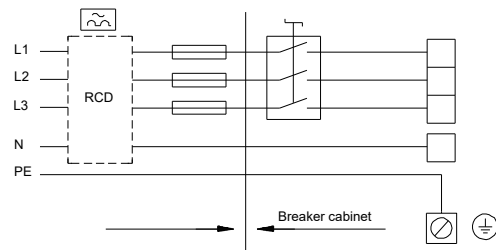
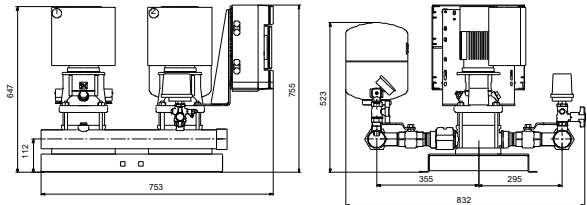
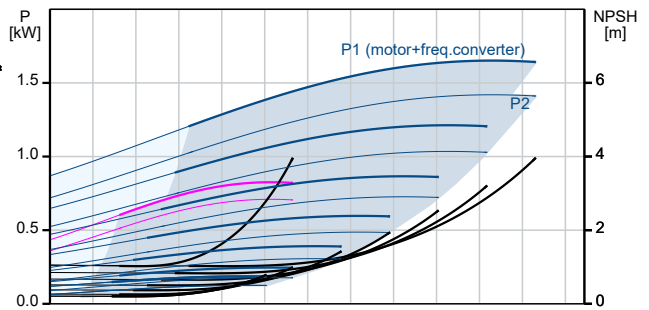
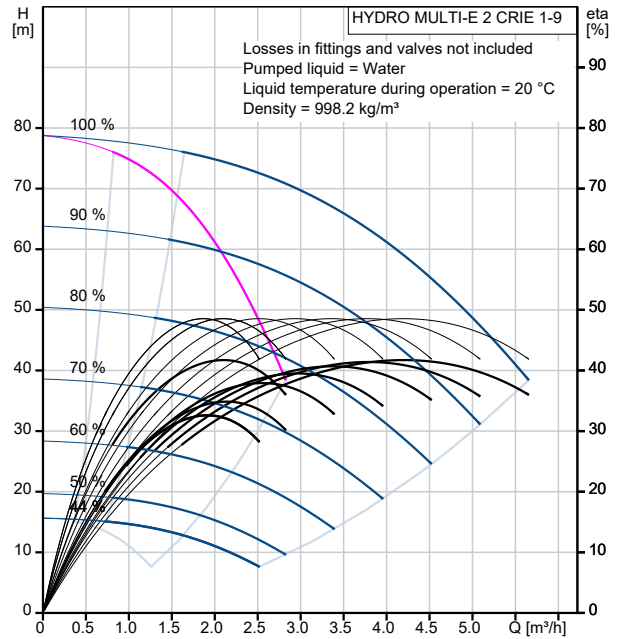
| Qty. | Description |
|------|--|
| 1 | <p data-bbox="201 159 523 188">HYDRO MULTI-E 2 CRIE 1-9</p>  <p data-bbox="592 506 1066 530" style="text-align: center;">Note! Product picture may differ from actual product</p> <p data-bbox="201 539 464 564">Product No.: 98486613</p> <p data-bbox="201 600 1374 651">GRUNDFOS Hydro Multi-E booster sets are designed for the transfer and pressure boosting of clean water in waterworks, blocks of flats, hotels, industry, hospitals, schools, etc.</p> <p data-bbox="201 658 1453 710">GRUNDFOS Hydro Multi-E booster set consists of 2 to 4 CRIE pumps coupled in parallel and mounted on a common base frame provided with all the necessary fittings.</p> <p data-bbox="201 745 1235 770">Hydro Multi-E is mounted on a common base frame made of stainless steel (DIN W.-Nr. 1.4301).</p> <p data-bbox="201 777 847 801">On the suction side are fitted a suction manifold (DIN W.-Nr.</p> <p data-bbox="201 808 432 833">1.4401 or DIN W.-Nr.</p> <p data-bbox="201 840 1062 864">1.4571) , a pressure switch mounted on a drainable valve and an isolating valve.</p> <p data-bbox="201 871 1437 922">On the discharge side of the pumps are fitted a non-return valve, an isolating valve, a pressure gauge, two pressure transmitters mounted on a drainable valve a diaphragm tank and a stainless steel discharge manifold (DIN W.-Nr.</p> <p data-bbox="201 952 432 976">1.4401 or DIN W.-Nr.</p> <p data-bbox="201 983 293 1008">1.4571).</p> <p data-bbox="201 1014 951 1039">The Hydro Multi-E is fitted with an on/off-switch for the supply voltage.</p> <p data-bbox="201 1068 1374 1093">The Hydro Multi-E is designed for maintaining a constant pressure regardless of flow changes and fluctuation.</p> <p data-bbox="201 1128 1382 1180">The internal PI-controller regulates the number of running pumps and the speed of the pumps according to the required flow.</p> <p data-bbox="201 1216 1433 1240">The system can be operated directly on the panel of any of the pumps or via Grundfos GO (available as accessory)</p> <p data-bbox="201 1305 512 1330">Besides the system features:</p> <ul data-bbox="201 1337 847 1570" style="list-style-type: none"> 2 Digital outputs 2 Digital inputs (one used for dry run protection) 2 Analogue inputs (one used for discharge pressure sensor) Multi-Master functionality 2 Limit functions Set-point influence function Pipe filling function High efficient PM motors <p data-bbox="201 1606 584 1630">Available communication protocols:</p> <ul data-bbox="201 1637 400 1899" style="list-style-type: none"> •LON •Profibus •Modbus •SMS/GSM/GPRS •GRM •BACnet •BACnet IP •Modbus TCP •PROFINET <p data-bbox="201 1935 1278 1960">When delivered, the GRUNDFOS Hydro Multi-E booster set is factory tested and ready for operation.</p> <p data-bbox="201 2024 632 2076">Liquid: Pumped liquid: Water</p> |

| Qty. | Description |
|------|---|
| 1 | <p>Liquid temperature range: 5 .. 60 °C Selected liquid temperature: 20 °C Density: 998.2 kg/m³</p> <p>Technical: Max flow: 5.8 m³/h</p> <p>Materials: Pump housing: Stainless steel</p> <p>Installation: Maximum operating pressure: 16 bar Maximum permissible inlet pressure: PN 16 bar Flange standard: DIN ISO 7/1 Manifold inlet: R 2 Manifold outlet: R 2</p> <p>Electrical data: IE Efficiency class: IE5 Power (P2) main pump: 0.75 kW Mains frequency: 50 / 60 Hz Rated voltage: 3 x 380-415 V Phase main pump: 1 Rated current: 5.8 A Start. method: electronically Enclosure class (IEC 34-5): IP54</p> <p>Tank: Volume of pressure tank: 12 l Diaphragm tank: Yes</p> <p>Others: Net weight: 86 kg Gross weight: 91 kg Shipping volume: 0.28 m³ Language: GB Country of origin: GB Custom tariff no.: 84137075</p> |

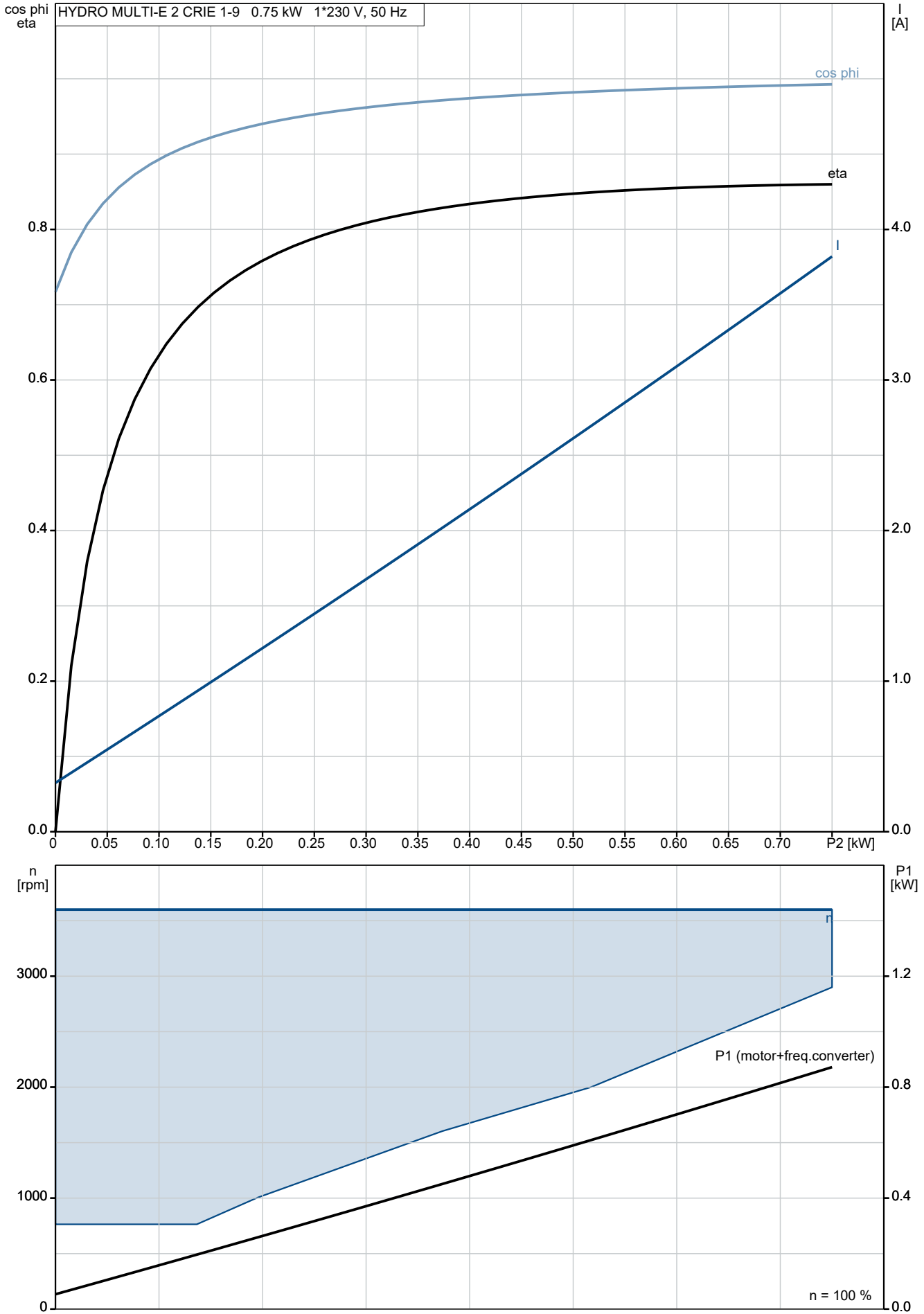
98486613 HYDRO MULTI-E 2 CRIE 1-9



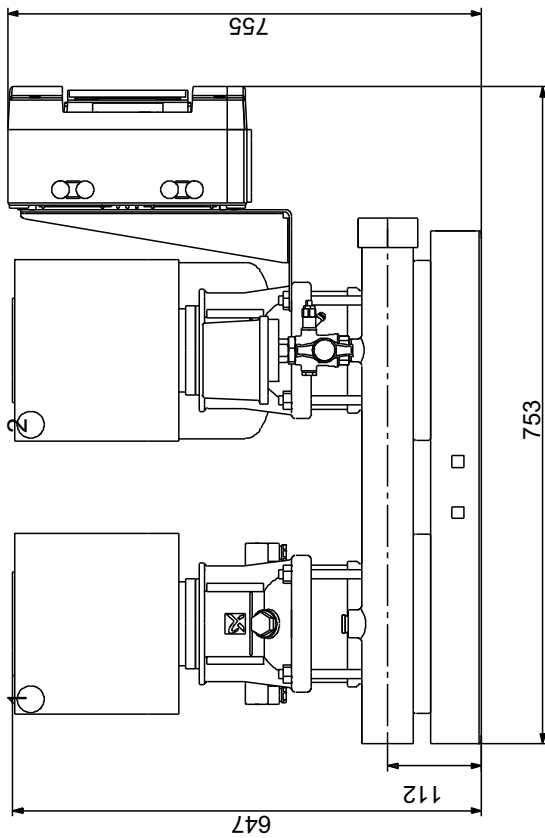
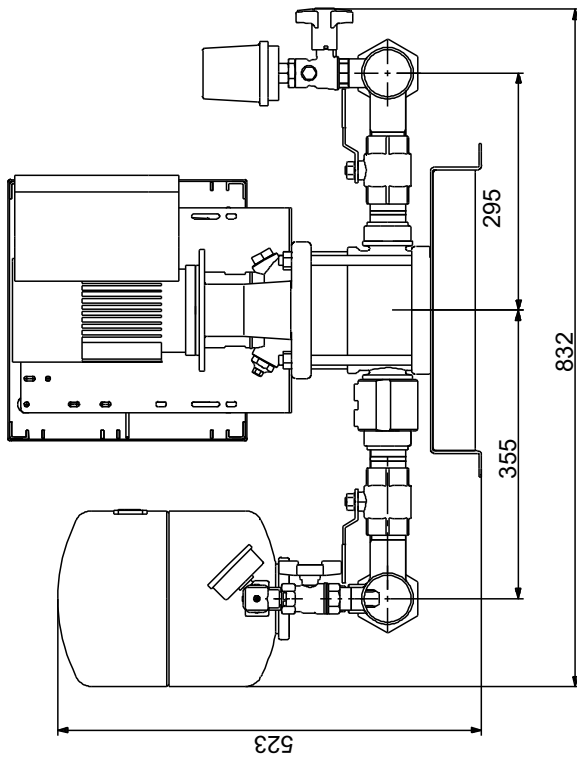
| Description | Value |
|-------------------------------------|--------------------------|
| General information: | |
| Product name: | HYDRO MULTI-E 2 CRIE 1-9 |
| Product No: | 98486613 |
| EAN number: | 5711495952792 |
| Technical: | |
| Max flow: | 5.8 m ³ /h |
| Min flow system: | 0.22 m ³ /h |
| Head max: | 80 m |
| Pump name: | CRIE 1-9 |
| Number of pumps: | 2 |
| Materials: | |
| Pump housing: | Stainless steel |
| Manifolds: | Stainless steel |
| Installation: | |
| Maximum operating pressure: | 16 bar |
| Maximum permissible inlet pressure: | PN 16 bar |
| Liquid: | |
| Pumped liquid: | Water |
| Liquid temperature range: | 5 .. 60 °C |
| Selected liquid temperature: | 20 °C |
| Density: | 998.2 kg/m ³ |
| Electrical data: | |
| IE Efficiency class: | IE5 |
| Power (P2) main pump: | 0.75 kW |
| Mains frequency: | 50 / 60 Hz |
| Rated voltage: | 3 x 380-415 V |
| Phase main pump: | 1 |
| Rated current: | 5.8 A |
| Start. method: | electronically |
| Enclosure class (IEC 34-5): | IP54 |
| Tank: | |
| Volume of pressure tank: | 12 l |
| Diaphragm tank: | Yes |
| Others: | |
| Net weight: | 86 kg |
| Gross weight: | 91 kg |
| Shipping volume: | 0.28 m ³ |
| Language: | GB |
| Country of origin: | GB |
| Custom tariff no.: | 84137075 |



98486613 HYDRO MULTI-E 2 CRIE 1-9

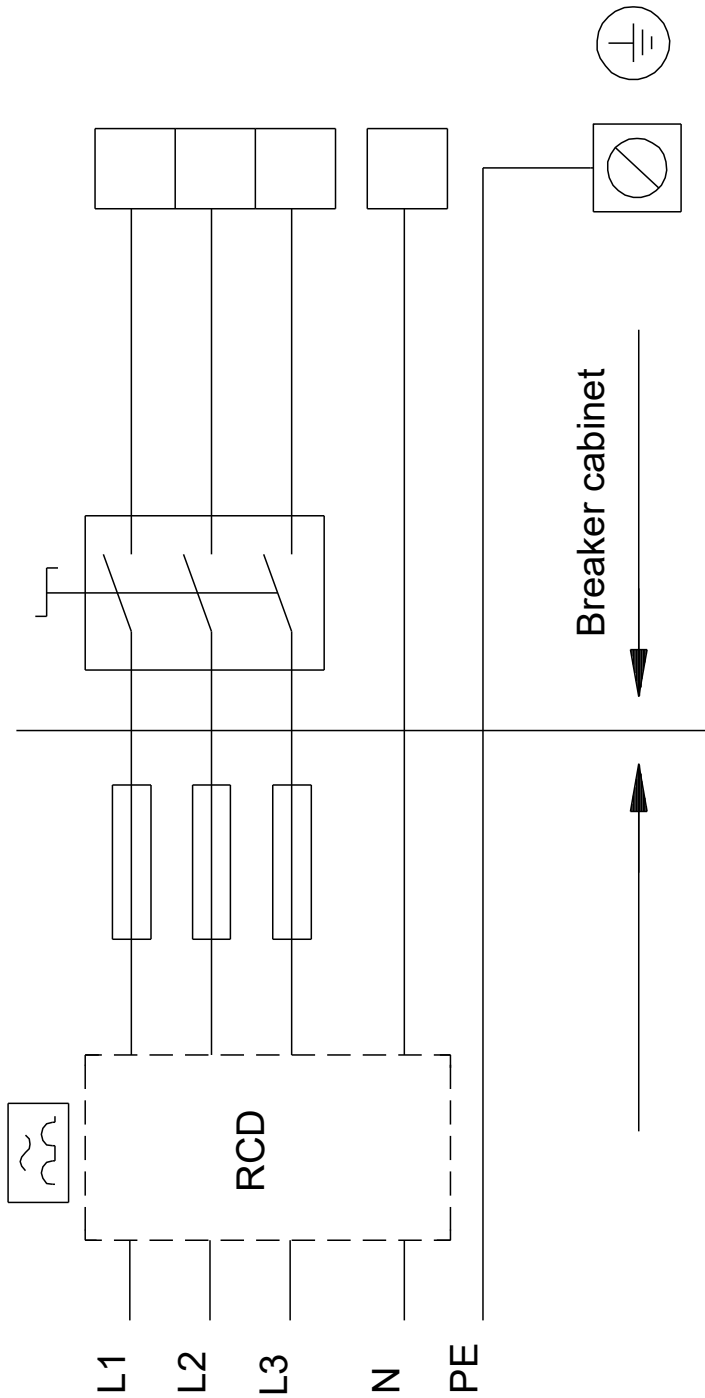


98486613 HYDRO MULTI-E 2 CRIE 1-9



Note! All units are in [mm] unless others are stated.
Disclaimer: This simplified dimensional drawing does not show all details.

98486613 HYDRO MULTI-E 2 CRIE 1-9



Note! All units are in [mm] unless others are stated.

