

**Qty. Description**

1 NK 125-250/262 AA2F2AESBQQEQW3



Note! Product picture may differ from actual product

Product No.: [98476605](#)

Non-self-priming, single-stage, centrifugal pump designed according to ISO 5199 with dimensions and rated performance according to EN 733. Flanges are PN 16 with dimensions according to EN 1092-2. The pump has an axial suction port, a radial discharge port and horizontal shaft. It is of the back pull-out design enabling removal of the coupling, bearing bracket and impeller without disturbing the motor, pump housing or pipework.

The unbalanced rubber bellows seal is according to DIN EN 12756.

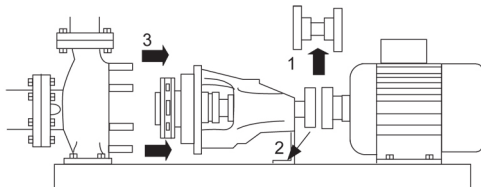
The pump is fitted with a foot-mounted, fan-cooled asynchronous motor. Pump and motor are mounted on a common base frame.

Pump and motor are mounted on a common steel base frame in accordance with ISO 3661.

The back pull-out design together with a spacer coupling makes it possible to service the pump without dismantling the pump housing and motor from the base frame.

This saves realignment of pump and motor after service.

- 1) Remove coupling.
- 2) Remove the bolts in the bearing bracket support foot.
- 3) Remove the bearing bracket from the pump housing.



## Pump

The pump is fitted with an unbalanced rubber bellows seal with torque transmission across the spring and around the bellows. Due to the bellows, the seal does not wear the shaft, and the axial movement is not prevented by deposits on the shaft.

{IMG Filename: GRALON\_NB-NK-G\_SHAFTSEAL\_Bxxx.gif }

Seal faces:

- Rotating seal ring material: silicon carbide (SiC)
- Stationary seat material: silicon carbide (SiC)

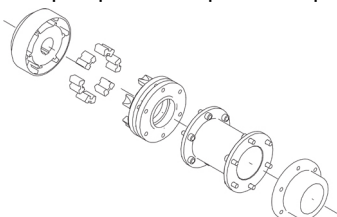
This material pairing is used where higher corrosion resistance is required. The high hardness of this material pairing offers good resistance against abrasive particles.

Secondary seal material: EPDM (ethylene-propylene rubber)

EPDM has excellent resistance to hot water. EPDM is not suitable for mineral oils.

The shaft is made of stainless steel and has a diameter of 32 mm where the coupling is mounted.

The pump uses a spacer coupling between the pump and motor shaft.

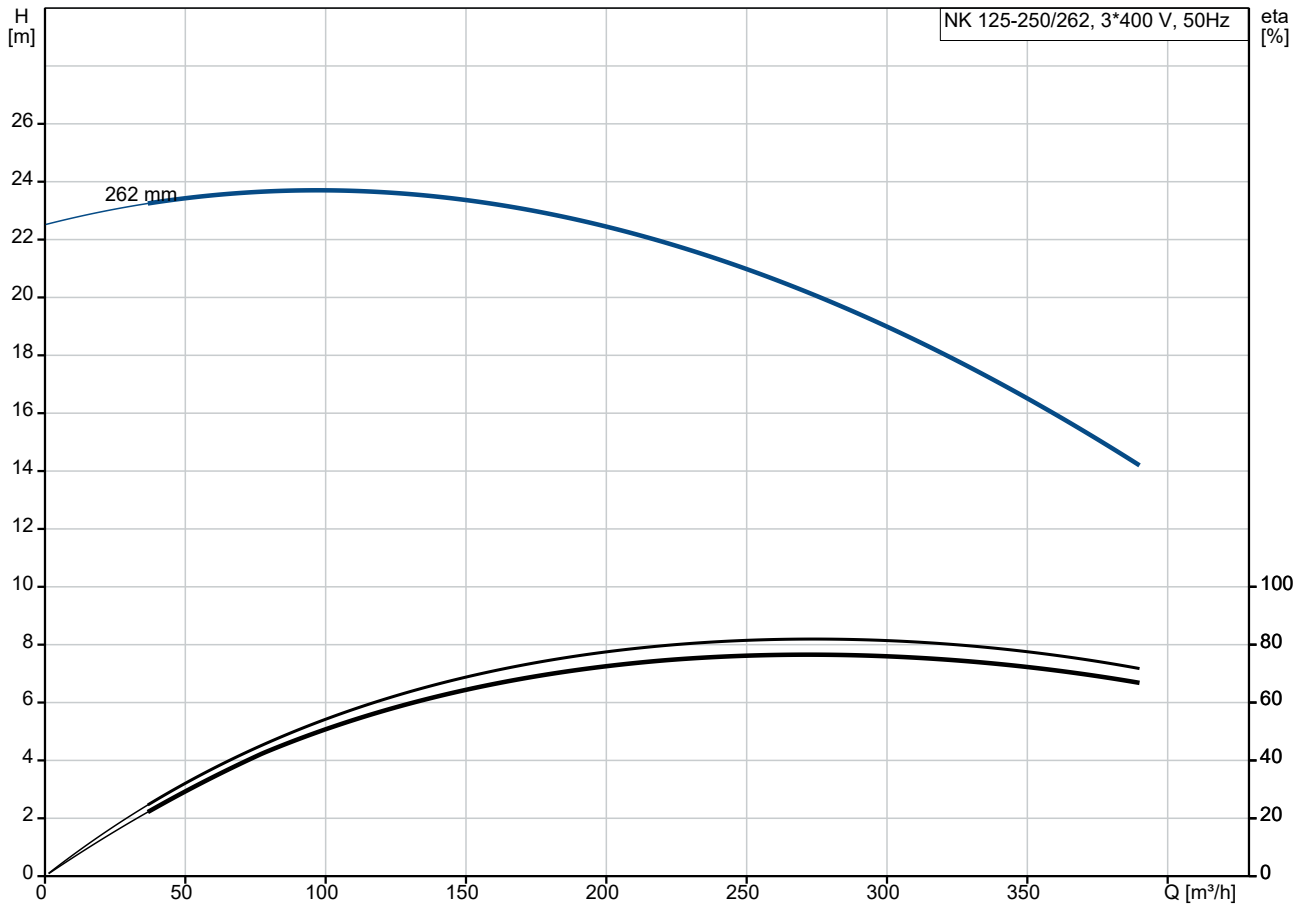


Qty.	Description																																														
1	<p data-bbox="204 338 284 371"><b>Motor</b></p> <p data-bbox="204 376 1482 427">The motor is a totally enclosed, fan-cooled motor with principal dimensions to IEC and DIN standards. Electrical tolerances comply with IEC 60034.</p> <p data-bbox="204 432 1018 465">The motor efficiency is classified as IE3 in accordance with IEC 60034-30-1.</p> <p data-bbox="204 468 1482 519">The motor has thermistors (PTC sensors) in the windings in accordance with DIN 44081/DIN 44082. The protection reacts to both slow- and quick-rising temperatures, e.g. constant overload and stalled conditions.</p> <p data-bbox="204 521 1482 600">Thermal switches must be connected to an external control circuit in a way which ensures that the automatic reset cannot cause accidents. The motors must be connected to a motor-protective circuit breaker according to local regulations.</p> <p data-bbox="204 604 1482 656">The motor can be connected to a variable speed drive for adjustment of pump performance to any duty point. Grundfos CUE offers a range of variable speed drives. Please find more information in Grundfos Product Center.</p> <p data-bbox="204 723 512 757"><b>Further product details</b></p> <p data-bbox="204 761 1482 840">Cast-iron parts have an epoxy-based coating made in a cathodic electro-deposition (CED) process. CED is a high-quality dip-painting process where an electrical field around the products ensures deposition of paint particles as a thin, well-controlled layer on the surface.</p> <p data-bbox="204 907 400 940"><b>Technical data</b></p> <p data-bbox="204 969 300 1003"><b>Controls:</b></p> <table data-bbox="204 1003 638 1059"> <tr> <td>Frequency converter:</td> <td>NONE</td> </tr> <tr> <td>Pressure sensor:</td> <td>N</td> </tr> </table> <p data-bbox="204 1088 276 1122"><b>Liquid:</b></p> <table data-bbox="204 1122 702 1238"> <tr> <td>Pumped liquid:</td> <td>Water</td> </tr> <tr> <td>Liquid temperature range:</td> <td>-25 .. 120 °C</td> </tr> <tr> <td>Selected liquid temperature:</td> <td>20 °C</td> </tr> <tr> <td>Density:</td> <td>998.2 kg/m<sup>3</sup></td> </tr> </table> <p data-bbox="204 1267 316 1301"><b>Technical:</b></p> <table data-bbox="204 1301 821 1592"> <tr> <td>Pump speed on which pump data are based:</td> <td>1470 rpm</td> </tr> <tr> <td>Rated flow:</td> <td>272.7 m<sup>3</sup>/h</td> </tr> <tr> <td>Pump with motor (Yes/No):</td> <td>Y</td> </tr> <tr> <td>Rated head:</td> <td>19.94 m</td> </tr> <tr> <td>Actual impeller diameter:</td> <td>262 mm</td> </tr> <tr> <td>Nominal impeller diameter:</td> <td>250</td> </tr> <tr> <td>Code for shaft seal:</td> <td>BQQE</td> </tr> <tr> <td>Mechanical seal type:</td> <td>Single</td> </tr> <tr> <td>Curve tolerance:</td> <td>ISO9906:2012 3B</td> </tr> <tr> <td>Bearing design:</td> <td>Standard</td> </tr> </table> <p data-bbox="204 1621 308 1655"><b>Materials:</b></p> <table data-bbox="204 1655 734 1977"> <tr> <td>Pump housing:</td> <td>Cast iron EN-GJL-250 ASTM class 35</td> </tr> <tr> <td>Wear ring:</td> <td>Brass</td> </tr> <tr> <td>Impeller:</td> <td>Cast iron EN-GJL-200 ASTM class 30</td> </tr> <tr> <td>Internal pump house coating:</td> <td>CED</td> </tr> <tr> <td>Shaft:</td> <td>Stainless steel EN 1.4301 AISI 304</td> </tr> </table> <p data-bbox="204 2007 323 2040"><b>Installation:</b></p> <table data-bbox="204 2040 638 2089"> <tr> <td>t max amb:</td> <td>55 °C</td> </tr> <tr> <td>Maximum operating pressure:</td> <td>16 bar</td> </tr> </table>	Frequency converter:	NONE	Pressure sensor:	N	Pumped liquid:	Water	Liquid temperature range:	-25 .. 120 °C	Selected liquid temperature:	20 °C	Density:	998.2 kg/m <sup>3</sup>	Pump speed on which pump data are based:	1470 rpm	Rated flow:	272.7 m <sup>3</sup> /h	Pump with motor (Yes/No):	Y	Rated head:	19.94 m	Actual impeller diameter:	262 mm	Nominal impeller diameter:	250	Code for shaft seal:	BQQE	Mechanical seal type:	Single	Curve tolerance:	ISO9906:2012 3B	Bearing design:	Standard	Pump housing:	Cast iron EN-GJL-250 ASTM class 35	Wear ring:	Brass	Impeller:	Cast iron EN-GJL-200 ASTM class 30	Internal pump house coating:	CED	Shaft:	Stainless steel EN 1.4301 AISI 304	t max amb:	55 °C	Maximum operating pressure:	16 bar
Frequency converter:	NONE																																														
Pressure sensor:	N																																														
Pumped liquid:	Water																																														
Liquid temperature range:	-25 .. 120 °C																																														
Selected liquid temperature:	20 °C																																														
Density:	998.2 kg/m <sup>3</sup>																																														
Pump speed on which pump data are based:	1470 rpm																																														
Rated flow:	272.7 m <sup>3</sup> /h																																														
Pump with motor (Yes/No):	Y																																														
Rated head:	19.94 m																																														
Actual impeller diameter:	262 mm																																														
Nominal impeller diameter:	250																																														
Code for shaft seal:	BQQE																																														
Mechanical seal type:	Single																																														
Curve tolerance:	ISO9906:2012 3B																																														
Bearing design:	Standard																																														
Pump housing:	Cast iron EN-GJL-250 ASTM class 35																																														
Wear ring:	Brass																																														
Impeller:	Cast iron EN-GJL-200 ASTM class 30																																														
Internal pump house coating:	CED																																														
Shaft:	Stainless steel EN 1.4301 AISI 304																																														
t max amb:	55 °C																																														
Maximum operating pressure:	16 bar																																														

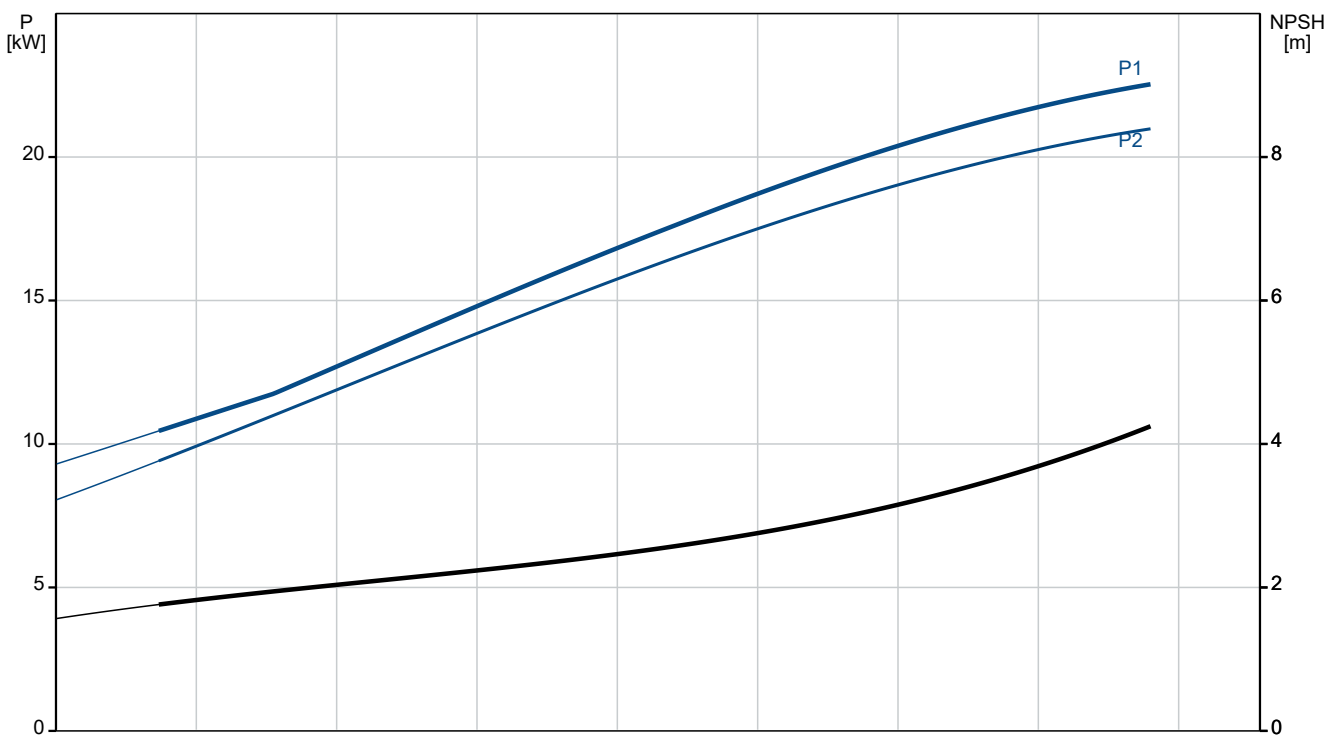
**Qty. Description**

1	<p>Pipe connection standard: EN 1092-2          Type of inlet connection: DIN          Type of outlet connection: DIN          Size of inlet connection: DN 150          Size of outlet connection: DN 125          Pressure rating for connection: PN 16          Coupling type: Flexible w/spacer          Base frame design: EN/ISO          Code for base frame: 7          Grouting (Yes/No): N</p> <p>Electrical data:          Motor type: SIEMENS          IE Efficiency class: IE3          Rated power - P2: 22 kW          Mains frequency: 50 Hz          Rated voltage: 3 x 380-420D/660-725Y V          Rated current: 41/24 A          Starting current: 680-680 %          Cos phi - power factor: 0.83          Rated speed: 1470 rpm          Efficiency: IE3 93%          Motor efficiency at full load: 93-93 %          Motor efficiency at 3/4 load: 93.6-93.6 %          Motor efficiency at 1/2 load: 93.6-93.6 %          Number of poles: 4          Enclosure class (IEC 34-5): IP55          Insulation class (IEC 85): F          Motor No: 98957807          Bearing insulation type N-end: STEEL BEARING</p> <p>Others:          Minimum efficiency index, MEI ≥: 0.57          Net weight: 422 kg          Gross weight: 449 kg          Shipping volume: 0.841 m<sup>3</sup></p>
---	---

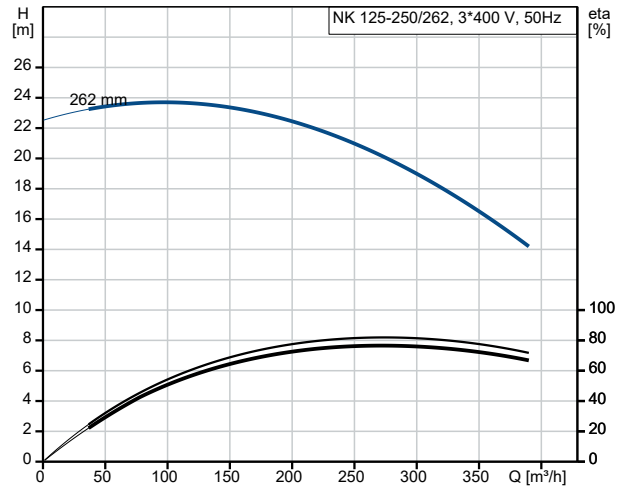
## 98476605 NK 125-250/262 AA2F2AESBQQEQW3 50 Hz



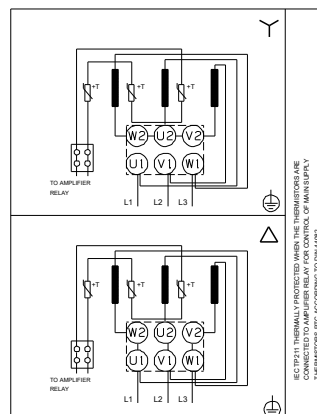
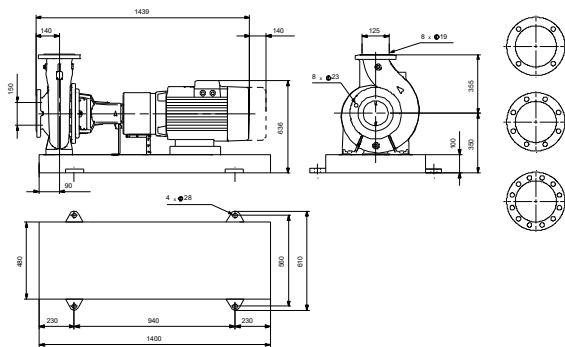
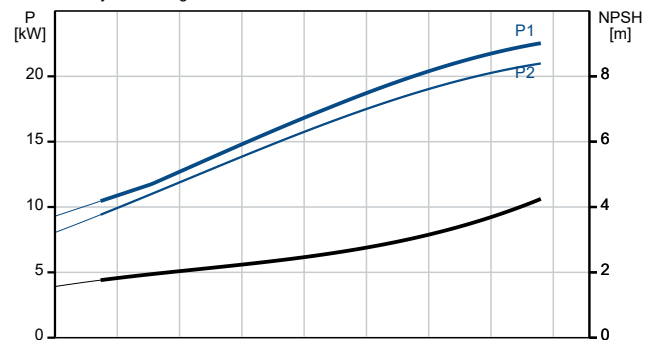
Pumped liquid = Water  
Liquid temperature during operation = 20 °C  
Density = 998.2 kg/m³



Description	Value
<b>General information:</b>	
Product name:	NK 125-250/262 AA2F2AESBQQEQW3
Product No:	98476605
EAN number:	5711495736811
<b>Technical:</b>	
Pump speed on which pump data are based:	1470 rpm
Rated flow:	272.7 m <sup>3</sup> /h
Pump with motor (Yes/No):	Y
Rated head:	19.94 m
Actual impeller diameter:	262 mm
Nominal impeller diameter:	250
Shaft diameter:	32 mm
Code for shaft seal:	BQQE
Mechanical seal type:	Single
Curve tolerance:	ISO9906:2012 3B
Pump version:	A2
Bearing design:	Standard
<b>Materials:</b>	
Pump housing:	Cast iron
Pump housing:	EN-GJL-250
Pump housing:	ASTM class 35
Wear ring:	Brass
Impeller:	Cast iron
Impeller:	EN-GJL-200
Impeller:	ASTM class 30
Internal pump house coating:	CED
Material code:	A
Code for rubber:	E
Shaft:	Stainless steel
Shaft:	EN 1.4301
Shaft:	AISI 304
<b>Installation:</b>	
t max amb:	55 °C
Maximum operating pressure:	16 bar
Pipe connection standard:	EN 1092-2
Type of inlet connection:	DIN
Type of outlet connection:	DIN
Size of inlet connection:	DN 150
Size of outlet connection:	DN 125
Pressure rating for connection:	PN 16
Coupling type:	Flexible w/spacer
Base frame design:	EN/ISO
Code for base frame:	7
Grouting (Yes/No):	N
Connect code:	F
<b>Liquid:</b>	
Pumped liquid:	Water
Liquid temperature range:	-25 .. 120 °C
Selected liquid temperature:	20 °C
Density:	998.2 kg/m <sup>3</sup>
<b>Electrical data:</b>	
Motor type:	SIEMENS
IE Efficiency class:	IE3
Rated power - P2:	22 kW
Mains frequency:	50 Hz
Rated voltage:	3 x 380-420D/660-725Y V
Rated current:	41/24 A



Pumped liquid = Water  
Liquid temperature during operation = 20 °C  
Density = 998.2 kg/m<sup>3</sup>





Company name:

Created by:

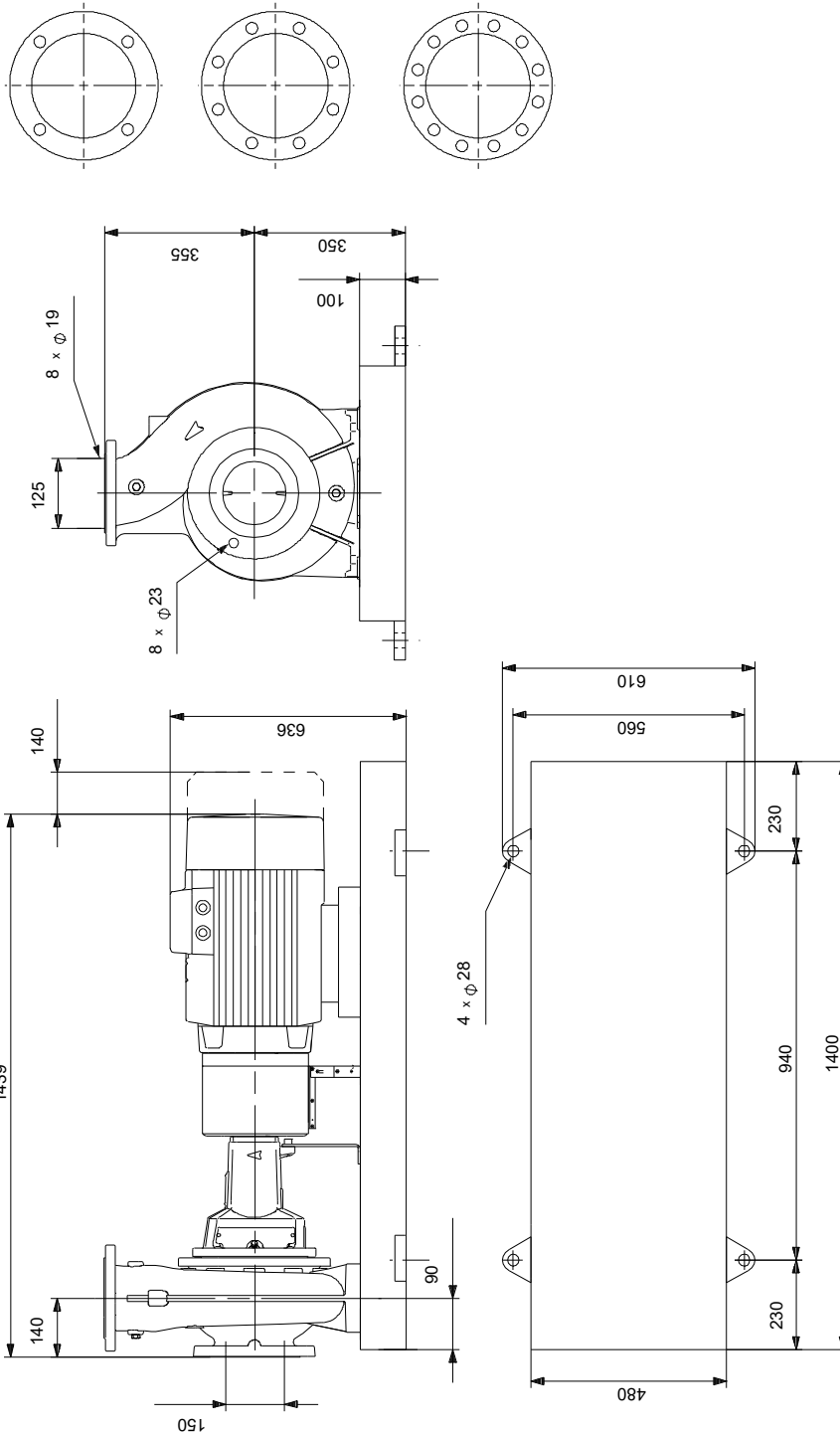
Phone:

Date:

28/12/2022

Description	Value
Starting current:	680-680 %
Cos phi - power factor:	0.83
Rated speed:	1470 rpm
Efficiency:	IE3 93%
Motor efficiency at full load:	93-93 %
Motor efficiency at 3/4 load:	93.6-93.6 %
Motor efficiency at 1/2 load:	93.6-93.6 %
Number of poles:	4
Enclosure class (IEC 34-5):	IP55
Insulation class (IEC 85):	F
Built-in motor protection:	PTC
Motor No:	98957807
Bearing insulation type N-end:	STEEL BEARING
<b>Controls:</b>	
Frequency converter:	NONE
Pressure sensor:	N
<b>Others:</b>	
Minimum efficiency index, MEI ≥:	0.57
Net weight:	422 kg
Gross weight:	449 kg
Shipping volume:	0.841 m <sup>3</sup>

**98476605 NK 125-250/262 AA2F2AESBQQEQW3 50 Hz**



Note! All units are in [mm] unless others are stated.  
Disclaimer: This simplified dimensional drawing does not show all details.

## 98476605 NK 125-250/262 AA2F2AESBQQEQW3 50 Hz



Note! All units are in [mm] unless others are stated.



