

**Qty. Description**

1 TPE2 D 40-120 N-A-F-A-BQQE-DDB



Note! Product picture may differ from actual product

Product No.: [98438131](#)

Single-stage, close-coupled, volute twin-head pump with in-line suction and discharge ports of identical diameter. The twin-head pump is designed with two parallel power-heads.

The pump is of the top-pull-out design, i.e. the power head (motor, pump head and impeller) can be removed for maintenance or service while the pump housing remains in the pipework.

Each power head is fitted with an unbalanced rubber bellows seal.

The shaft seal is according to EN 12756. Pipework connection is via PN 6/10 DIN flanges (EN 1092-2 and ISO 7005-2).

Each power head is fitted with a fan-cooled, permanent-magnet synchronous motor of identical size. The motor efficiency is classified as IE5 in accordance with IEC 60034-30-2.

Wireless communication between the two power heads is quickly and easily obtained. The pump heads can be set to cascade mode, alternating mode or duty/standby.

The product's minimum efficiency index (MEI) is greater or equal to 0.70. This is by the Commission Regulation (EU) considered as an indicative benchmark for best-performing water pump available on the market as from 1 January 2013.

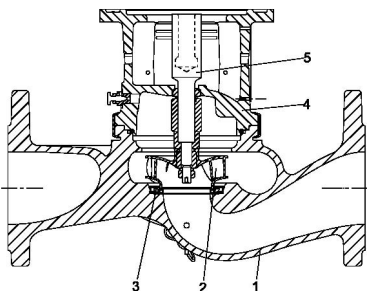
An operating panel on the motor terminal box enables setting of required setpoint as well as setting of pump to "Min." or "Max." operation or to "Stop". The Grundfos Eye indicator on the operating panel provides visual indication of pump status:

- "Power on": Motor is running (rotating green indicator lights) or not running (permanently green indicator lights)
- "Warning": Motor is still running (rotating yellow indicator lights) or has stopped (permanently yellow indicator lights)
- "Alarm": Motor has stopped (flashing red indicator lights).

Communication with the pump is possible by means of Grundfos GO Remote (accessory). The remote control enables further settings as well as reading out of a number of parameters such as "Actual value", "Speed", "Power input" and total "Power consumption".

Cast-iron parts have an epoxy-based coating made in a cathodic electro-deposition (CED) process. CED is a high-quality dip-painting process where an electrical field around the products ensures deposition of paint particles as a thin, well-controlled layer on the surface.

**Pump**



- 1: Pump housing
- 2: Impeller
- 3: Neck ring
- 4: Pump head/motor stool

**Qty. Description**

1 5: Stub shaft

The twin-head pump is designed with two parallel power-heads. A flap valve in the common discharge port is opened by the flow of the pumped liquid and prevents backflow of liquid into the idle pump head.

The pump housing is provided with a replaceable stainless steel/PTFE neck ring to reduce the amount of liquid running from the discharge side of the impeller to the suction side.

The impeller is secured to the shaft with a nut.

The pump is fitted with an unbalanced rubber bellows seal with torque transmission across the spring and around the bellows. Due to the bellows, the seal does not wear the shaft, and the axial movement is not prevented by deposits on the shaft.

Seal faces:

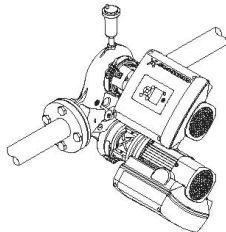
- Rotating seal ring material: silicon carbide (SiC)
- Stationary seat material: silicon carbide (SiC)

This material pairing is used where higher corrosion resistance is required. The high hardness of this material pairing offers good resistance against abrasive particles.

Secondary seal material: EPDM (ethylene-propylene rubber)

EPDM has excellent resistance to hot water. EPDM is not suitable for mineral oils.

Twin-head pumps installed in horizontal pipes must be fitted with an automatic air vent in the upper part of the pump housing. The automatic air vent is not supplied with the pump.



The motor stool forms connection between the pump housing and the motor, and is equipped with a manual air vent screw for venting of the pump housing and the shaft seal chamber. The sealing between motor stool and pump housing is an O-ring.

The central part of the motor stool is provided with guards for protection against the shaft and coupling. The pump shaft is fastened directly on the motor shaft with key and set screws.

**Motor**

The motor is a totally enclosed, fan-cooled motor with principal dimensions to IEC and DIN standards. Electrical tolerances comply with IEC 60034.

The motor efficiency is classified as IE5 in accordance with IEC 60034-30-2.

The motor requires no external motor protection. The motor control unit incorporates protection against slow- and quick-rising temperatures, e.g. constant overload and stalled conditions.

**Further product details**

Cast-iron parts have an epoxy-based coating made in a cathodic electro-deposition (CED) process. CED is a high-quality dip-painting process where an electrical field around the products ensures deposition of paint particles as a thin, well-controlled layer on the surface.

**Technical data**

Controls:

Frequency converter: Built-in

Liquid:

Pumped liquid: Water

Liquid temperature range: -25 .. 120 °C

Selected liquid temperature: 20 °C

Density: 998.2 kg/m<sup>3</sup>

Technical:

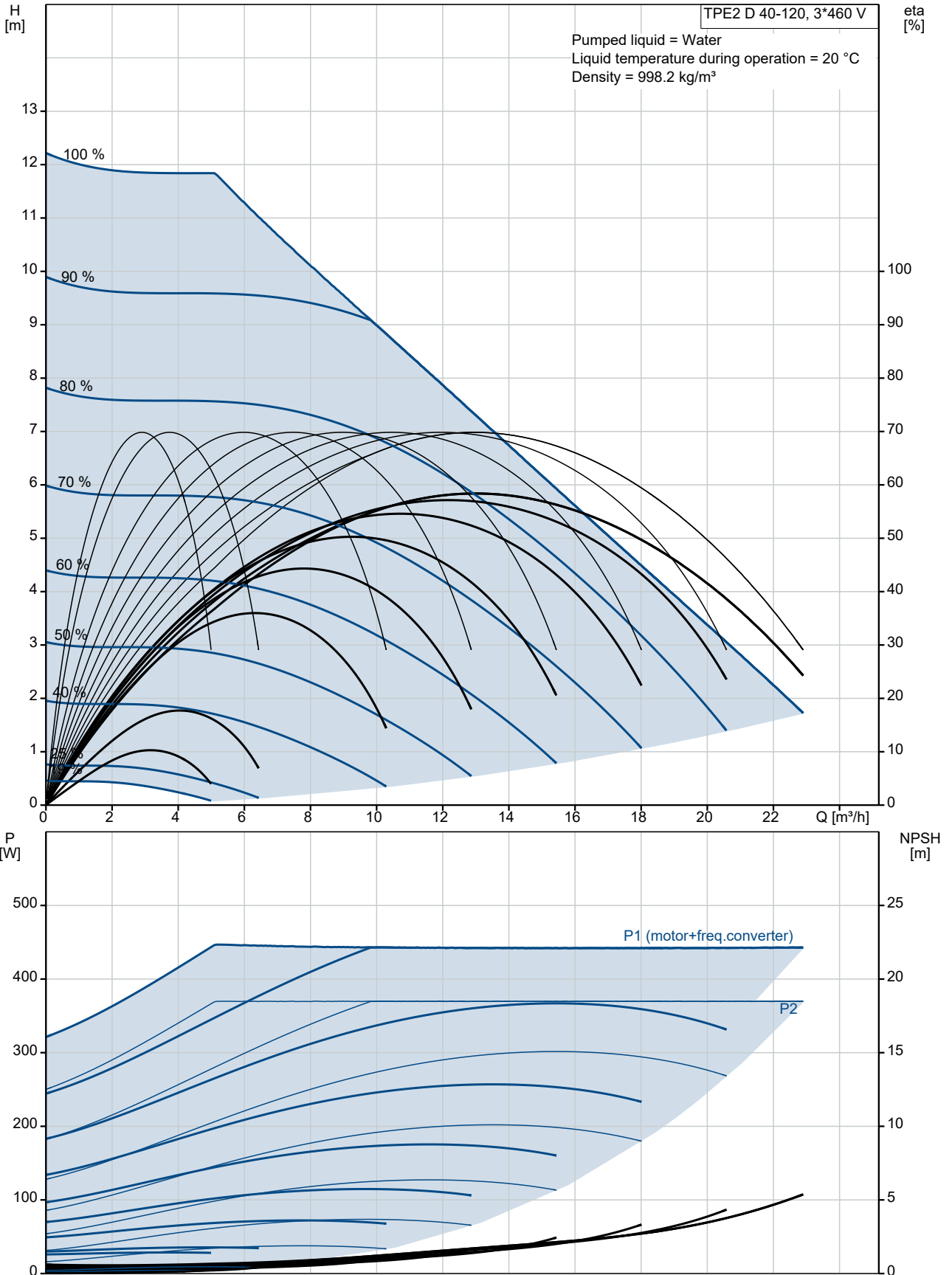
Pump speed on which pump data are based: 3390 rpm

Rated flow: 12.7 m<sup>3</sup>/h

**Qty. Description**

1	<p>Rated head: 7.5 m            Actual impeller diameter: 74 mm            Code for shaft seal: BQQE            Curve tolerance: ISO9906:2012 3B2</p> <p>Materials:            Pump housing: Cast iron                              EN-GJL-250                              ASTM class 35</p> <p>Impeller: Composite                              PES+30% GF</p> <p>Installation:            Range of ambient temperature: -20 .. 50 °C            Maximum operating pressure: 10 bar            Max pressure at stated temp: 10 bar / 120 °C            Type of connection: DIN            Size of connection: DN 40            Pressure rating for connection: PN 6/10            Port-to-port length: 250 mm            Flange size for motor: 56C</p> <p>Electrical data:            Motor type: 71A            IE Efficiency class: IE5            Rated power - P2: 0.37 kW            Mains frequency: 50 / 60 Hz            Rated voltage: 3 x 380-500 V            Rated current: 1.05-1.00 A            Cos phi - power factor: 0.68-0.54            Rated speed: 360-4000 rpm            Efficiency: 84.5%            Motor efficiency at full load: 84.5 %            Enclosure class (IEC 34-5): IP55            Insulation class (IEC 85): F            Motor No: 99138015</p> <p>Others:            Minimum efficiency index, MEI ≥: 0.70            Net weight: 48.4 kg            Gross weight: 61.7 kg            Shipping volume: 0.252 m³            Country of origin: HU            Custom tariff no.: 84137065</p>
---	---

## 98438131 TPE2 D 40-120 N-A-F-A-BQQE-DDB







Company name:

Created by:

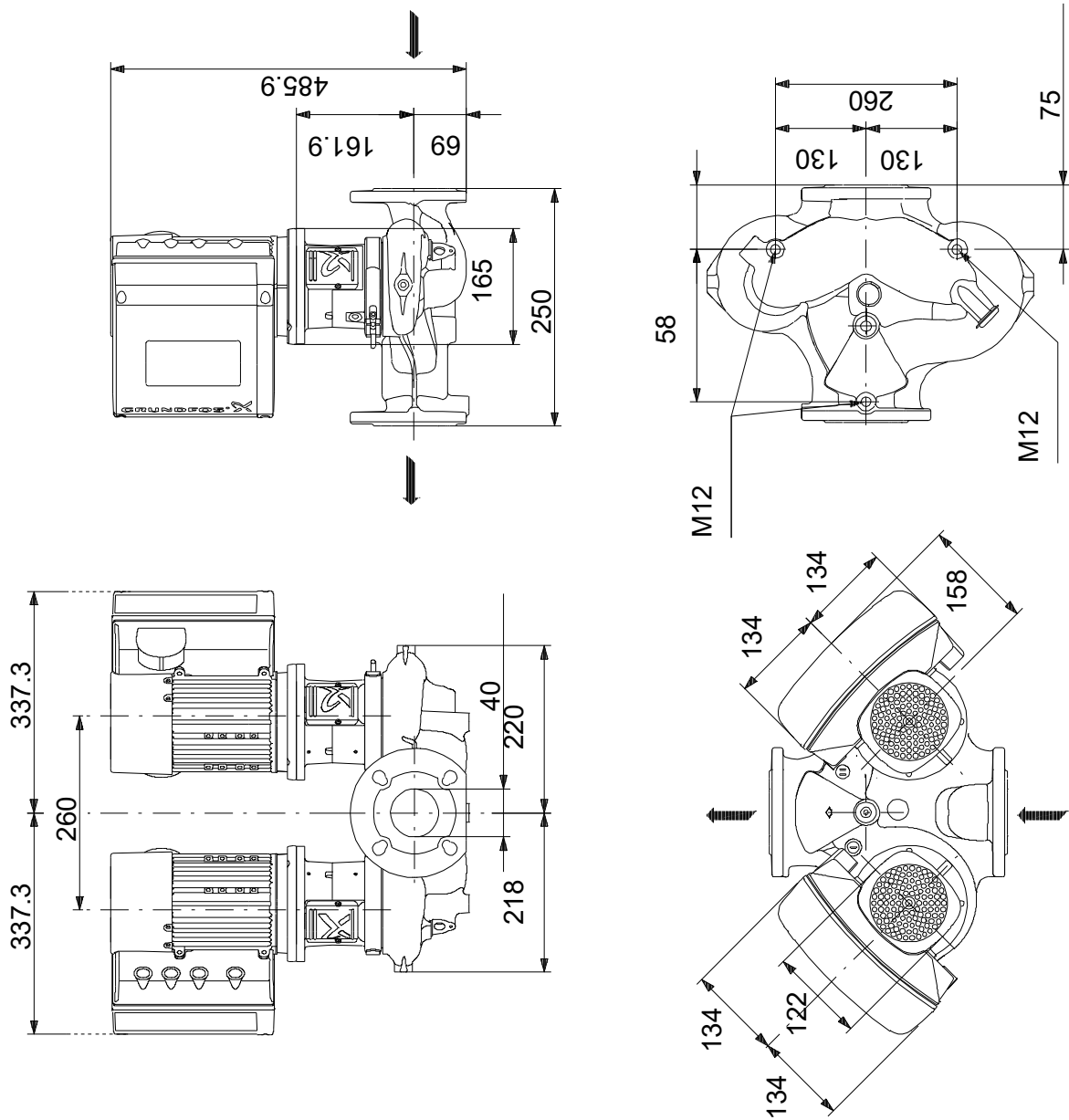
Phone:

Date:

05/08/2022

Description	Value
Gross weight:	61.7 kg
Shipping volume:	0.252 m <sup>3</sup>
Config. file no:	98819252
Country of origin:	HU
Custom tariff no.:	84137065

## 98438131 TPE2 D 40-120 N-A-F-A-BQQE-DEB



Note! All units are in [mm] unless others are stated.  
Disclaimer: This simplified dimensional drawing does not show all details.

## 98438131 TPE2 D 40-120 N-A-F-A-BQQE-DDB



Note! All units are in [mm] unless others are stated.



