
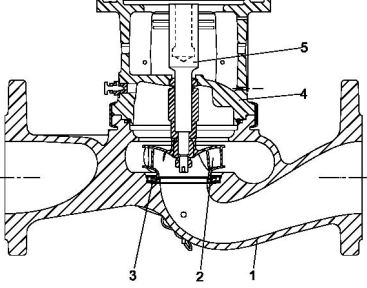


Qty.	Description
1	<p data-bbox="204 338 560 360"><b>TPE3 65-200 S-A-F-I-BQQE-IDC</b></p> <div data-bbox="272 383 512 696" style="text-align: center;">  </div> <p data-bbox="592 685 1062 707" style="text-align: center;"><b>Note! Product picture may differ from actual product</b></p> <p data-bbox="204 719 464 741">Product No.: <a href="#">98416878</a></p> <p data-bbox="204 775 1401 909">Single-stage, close-coupled, volute pump with in-line suction and discharge ports of identical diameter. The pump is of the top-pull-out design, i.e. the power head (motor, pump head and impeller) can be removed for maintenance or service while the pump housing remains in the pipework. The shaft seal is according to EN 12756. Pipework connection is via PN 6/10 DIN flanges (EN 1092-2 and ISO 7005-2).</p> <p data-bbox="204 920 1453 965">The pump is fitted with a fan-cooled, permanent-magnet synchronous motor. The motor efficiency is classified as IE5 in accordance with IEC 60034-30-2.</p> <p data-bbox="204 976 1390 1021">The motor includes a frequency converter and PI controller in the motor terminal box. This enables continuously variable control of the motor speed, which again enables adaptation of the performance to a given requirement.</p> <p data-bbox="204 1032 1070 1055">The pump is fitted with a combined temperature- and differential pressure sensor.</p> <p data-bbox="204 1066 1126 1088">The stainless-steel pump housing makes the pump suitable for circulation of hot water.</p> <p data-bbox="204 1099 1422 1122">The pump is suitable for applications requiring pressure or temperature control and offers following control modes:</p> <ul data-bbox="240 1155 1453 1547" style="list-style-type: none"> <li>- AUTOADAPT. This function continuously adjusts the proportional-pressure curve and automatically sets a more efficient curve without compromising comfort demands.</li> <li>- FLOWADAPT. This control mode combines AUTOADAPT with a flow-limiting function. The pump continuously monitors the flow rate to ensure the desired maximum flow is not exceeded. This will save the cost of a separate pump-throttling valve.</li> <li>- Constant differential pressure. The pump head is kept constant, independent of the flow in the system.</li> <li>- Proportional pressure. The head of the pump will increase proportionally to the flow in the system to compensate for the large pressure losses in the distribution pipes.</li> <li>- Constant temperature. The return-pipe temperature is kept constant. Note: If the pump is installed in the flow pipe, an external temperature sensor must be installed in the return pipe of the system.</li> <li>- Constant differential temperature. The differential temperature can be measured by a differential-temperature sensor or two separate temperature sensors.</li> <li>- Constant curve. The pump can be set to run at a constant speed in the range of 25 to 100 % of the maximum speed.</li> </ul> <p data-bbox="204 1559 1445 1626">The product's minimum efficiency index (MEI) is greater or equal to 0.70. This is by the Commission Regulation (EU) considered as an indicative benchmark for best-performing water pump available on the market as from 1 January 2013.</p> <p data-bbox="204 1648 1445 1693">The operating panel on the motor terminal box features a four-inch TFT display, push-buttons and the Grundfos Eye indicator.</p> <p data-bbox="204 1704 967 1727">The display gives an intuitive and user-friendly interface to all functions.</p> <p data-bbox="204 1738 1453 1783">The push-buttons are used to navigate through the menu structure to access pump and performance data on site and enable setting of required setpoint as well as setting of pump to "Min." or "Max." operation or to "Stop".</p> <p data-bbox="204 1794 1190 1816">The Grundfos Eye indicator on the operating panel provides visual indication of pump status:</p> <ul data-bbox="240 1827 1453 1962" style="list-style-type: none"> <li>• "Power on": Motor is running (rotating green indicator lights) or not running (permanently green indicator lights)</li> <li>• "Warning": Motor is still running (rotating yellow indicator lights) or has stopped (permanently yellow indicator lights)</li> <li>• "Alarm": Motor has stopped (flashing red indicator lights).</li> </ul> <p data-bbox="204 1973 1430 2040">Communication with the pump is also possible by means of Grundfos GO Remote (accessory). The remote control enables further settings as well as reading out of a number of parameters such as "Actual value", "Speed", "Power input" and total "Power consumption".</p>

Qty.	Description
	<p>Cast-iron parts have an epoxy-based coating made in a cathodic electro-deposition (CED) process. CED is a high-quality dip-painting process where an electrical field around the products ensures deposition of paint particles as a thin, well-controlled layer on the surface.</p> <p><b>Pump</b></p>  <p>1: Pump housing 2: Impeller 3: Neck ring 4: Pump head/motor stool 5: Stub shaft</p> <p>The pump housing is provided with a replaceable stainless steel/PTFE neck ring to reduce the amount of liquid running from the discharge side of the impeller to the suction side.</p> <p>The impeller is secured to the shaft with a nut.</p> <p>The pump is fitted with an unbalanced rubber bellows seal with torque transmission across the spring and around the bellows. Due to the bellows, the seal does not wear the shaft, and the axial movement is not prevented by deposits on the shaft.</p> <p>Seal faces:</p> <ul style="list-style-type: none"> <li>• Rotating seal ring material: silicon carbide (SiC)</li> <li>• Stationary seat material: silicon carbide (SiC)</li> </ul> <p>This material pairing is used where higher corrosion resistance is required. The high hardness of this material pairing offers good resistance against abrasive particles.</p> <p>Secondary seal material: EPDM (ethylene-propylene rubber) EPDM has excellent resistance to hot water. EPDM is not suitable for mineral oils.</p> <p>The motor stool forms connection between the pump housing and the motor, and is equipped with a manual air vent screw for venting of the pump housing and the shaft seal chamber. The sealing between motor stool and pump housing is an O-ring.</p> <p>The central part of the motor stool is provided with guards for protection against the shaft and coupling. The pump shaft is fastened directly on the motor shaft with key and set screws.</p> <p><b>Motor</b></p> <p>The motor is a totally enclosed, fan-cooled motor with principal dimensions to IEC and DIN standards. Electrical tolerances comply with IEC 60034.</p> <p>The motor efficiency is classified as IE5 in accordance with IEC 60034-30-2.</p> <p>The motor requires no external motor protection. The motor control unit incorporates protection against slow- and quick-rising temperatures, e.g. constant overload and stalled conditions.</p> <p>The terminal box holds terminals for these connections:</p> <ul style="list-style-type: none"> <li>- one dedicated digital input</li> <li>- two analog inputs, 0(4)-20 mA, 0-10 V</li> <li>- one configurable digital input or open-collector output</li> <li>- Grundfos combined temperature and differential pressure sensor (separate connected)</li> <li>- 24 V voltage supply for sensors</li> <li>- two signal relay outputs (potential-free contacts)</li> <li>- GENIbus connection</li> <li>- interface for Grundfos CIM fieldbus module.</li> </ul> <p><b>Further product details</b></p>

**Qty. Description**

Cast-iron parts have an epoxy-based coating made in a cathodic electro-deposition (CED) process. CED is a high-quality dip-painting process where an electrical field around the products ensures deposition of paint particles as a thin, well-controlled layer on the surface.

**Technical data****Controls:**

Frequency converter: Built-in

**Liquid:**Pumped liquid: Water  
Liquid temperature range: -25 .. 120 °C  
Selected liquid temperature: 20 °C  
Density: 998.2 kg/m<sup>3</sup>**Technical:**Pump speed on which pump data are based: 4800 rpm  
Rated flow: 38.7 m<sup>3</sup>/h  
Rated head: 14.6 m  
Actual impeller diameter: 78 mm  
Code for shaft seal: BQQE  
Curve tolerance: ISO9906:2012 3B2**Materials:**Pump housing: Stainless steel  
EN 1.4308  
ASTM CF8  
Impeller: Composite  
PES+30% GF**Installation:**Range of ambient temperature: -20 .. 50 °C  
Maximum operating pressure: 10 bar  
Max pressure at stated temp: 10 bar / 120 °C  
Type of connection: DIN  
Size of connection: DN 65  
Pressure rating for connection: PN 6/10  
Port-to-port length: 340 mm  
Flange size for motor: 56C**Electrical data:**Motor type: 90LC  
IE Efficiency class: IE5  
Rated power - P2: 2.2 kW  
Mains frequency: 50 / 60 Hz  
Rated voltage: 3 x 380-500 V  
Rated current: 4.35-3.55 A  
Cos phi - power factor: 0.91-0.85  
Rated speed: 480-5900 rpm  
Efficiency: 90.1%  
Motor efficiency at full load: 90.1 %  
Enclosure class (IEC 34-5): IP55  
Insulation class (IEC 85): F  
Motor No: 99138039**Others:**Minimum efficiency index, MEI ≥: 0.70  
Net weight: 32.2 kg



Company name: Pump Sales Direct

Created by:

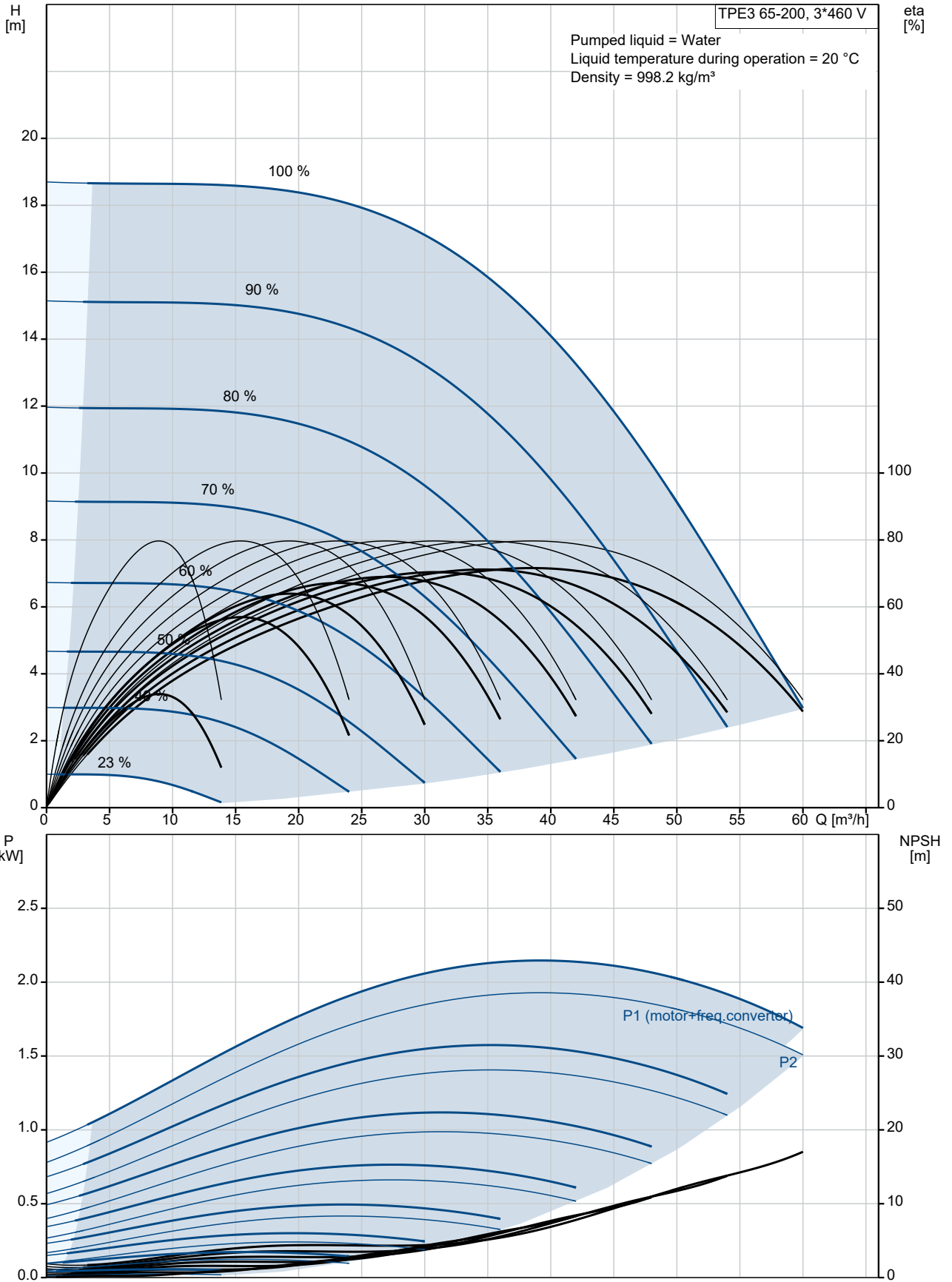
Phone:

Date: 15/06/2022

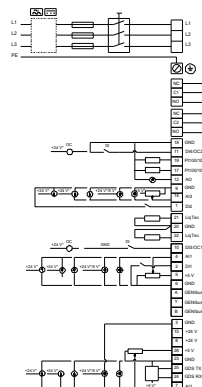
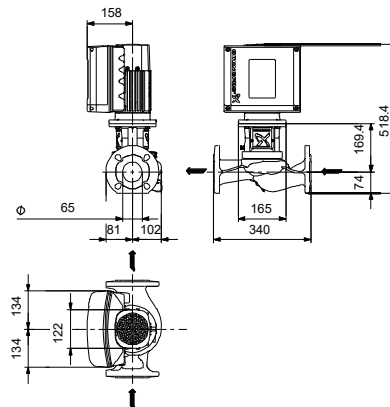
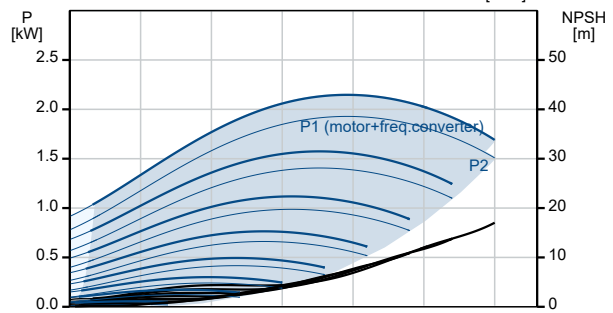
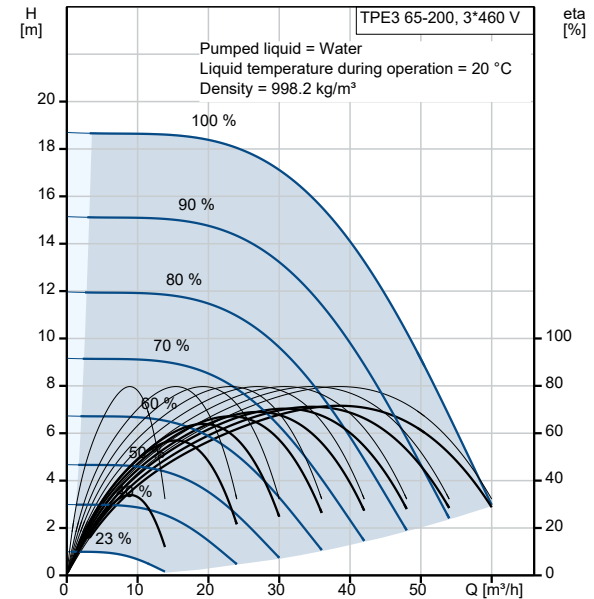
Qty.	Description
------	-------------

	Gross weight: 40.9 kg
	Shipping volume: 0.164 m <sup>3</sup>
	Danish VVS No.: 382153200
	Finnish LVI No.: 4616341

## 98416878 TPE3 65-200 S-A-F-I-BQQE-IDC



Description	Value
<b>General information:</b>	
Product name:	TPE3 65-200 S-A-F-I-BQQE-IDC
Product No:	98416878
EAN number:	5711494656707
<b>Technical:</b>	
Pump speed on which pump data are based:	4800 rpm
Rated flow:	38.7 m <sup>3</sup> /h
Rated head:	14.6 m
Maximum head:	200 dm
Actual impeller diameter:	78 mm
Code for shaft seal:	BQQE
Curve tolerance:	ISO9906:2012 3B2
Pump version:	A
<b>Materials:</b>	
Pump housing:	Stainless steel
Pump housing:	EN 1.4308
Pump housing:	ASTM CF8
Impeller:	Composite
Impeller:	PES+30% GF
Material code:	I
<b>Installation:</b>	
Range of ambient temperature:	-20 .. 50 °C
Maximum operating pressure:	10 bar
Max pressure at stated temp:	10 bar / 120 °C
Type of connection:	DIN
Size of connection:	DN 65
Pressure rating for connection:	PN 6/10
Port-to-port length:	340 mm
Flange size for motor:	56C
Connect code:	F
<b>Liquid:</b>	
Pumped liquid:	Water
Liquid temperature range:	-25 .. 120 °C
Selected liquid temperature:	20 °C
Density:	998.2 kg/m <sup>3</sup>
<b>Electrical data:</b>	
Motor type:	90LC
IE Efficiency class:	IE5
Rated power - P2:	2.2 kW
Mains frequency:	50 / 60 Hz
Rated voltage:	3 x 380-500 V
Rated current:	4.35-3.55 A
Cos phi - power factor:	0.91-0.85
Rated speed:	480-5900 rpm
Efficiency:	90.1%
Motor efficiency at full load:	90.1%
Enclosure class (IEC 34-5):	IP55
Insulation class (IEC 85):	F
Built-in motor protection:	ELEC
Motor No:	99138039
<b>Controls:</b>	
Control panel:	HMI300 - Graphical
Function Module:	FM300 - Advanced
Frequency converter:	Built-in
<b>Others:</b>	
Minimum efficiency index, MEI ≥:	0.70
Net weight:	32.2 kg





**Company name:** Pump Sales Direct

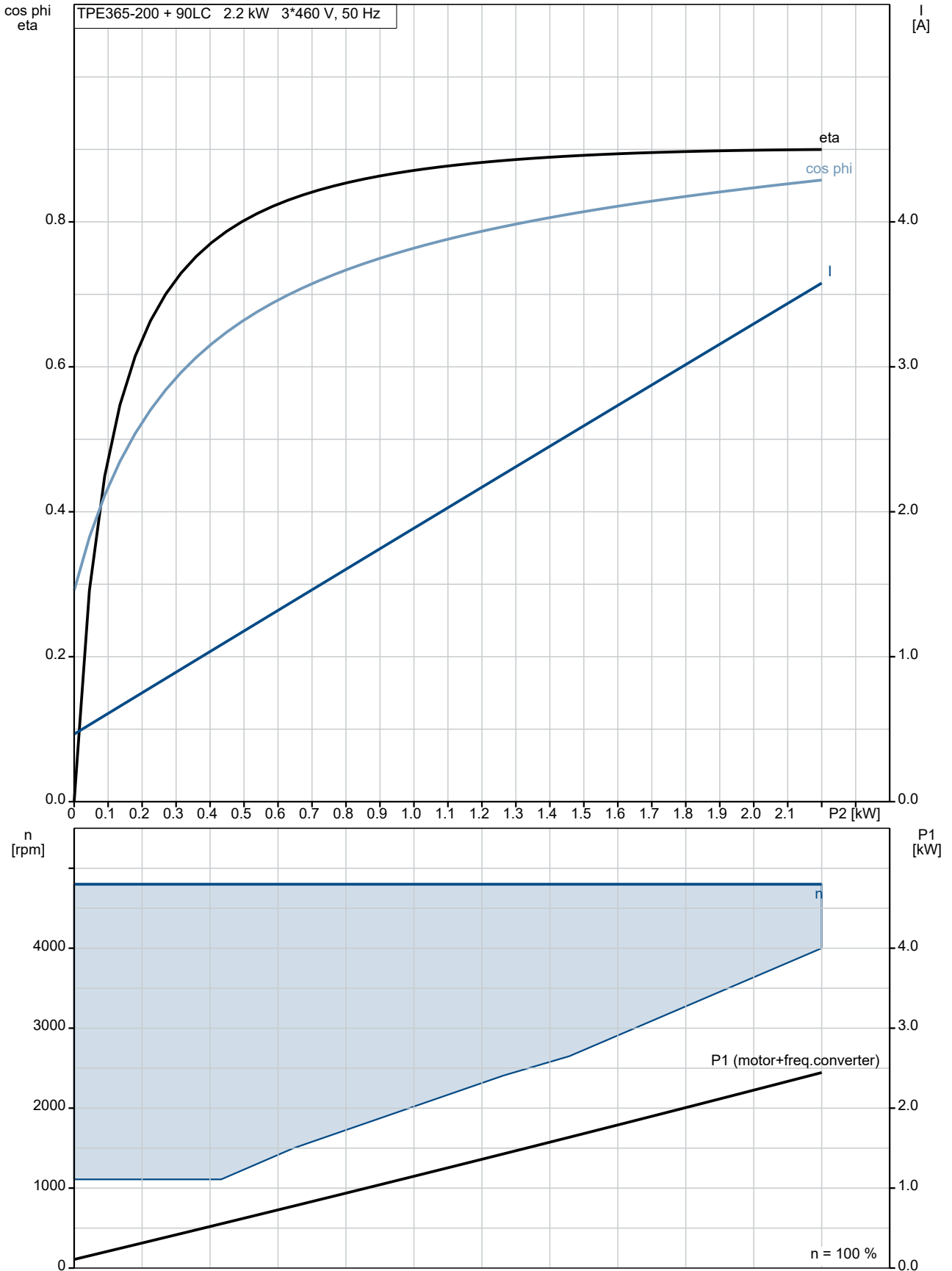
**Created by:**

**Phone:**

**Date:** 15/06/2022

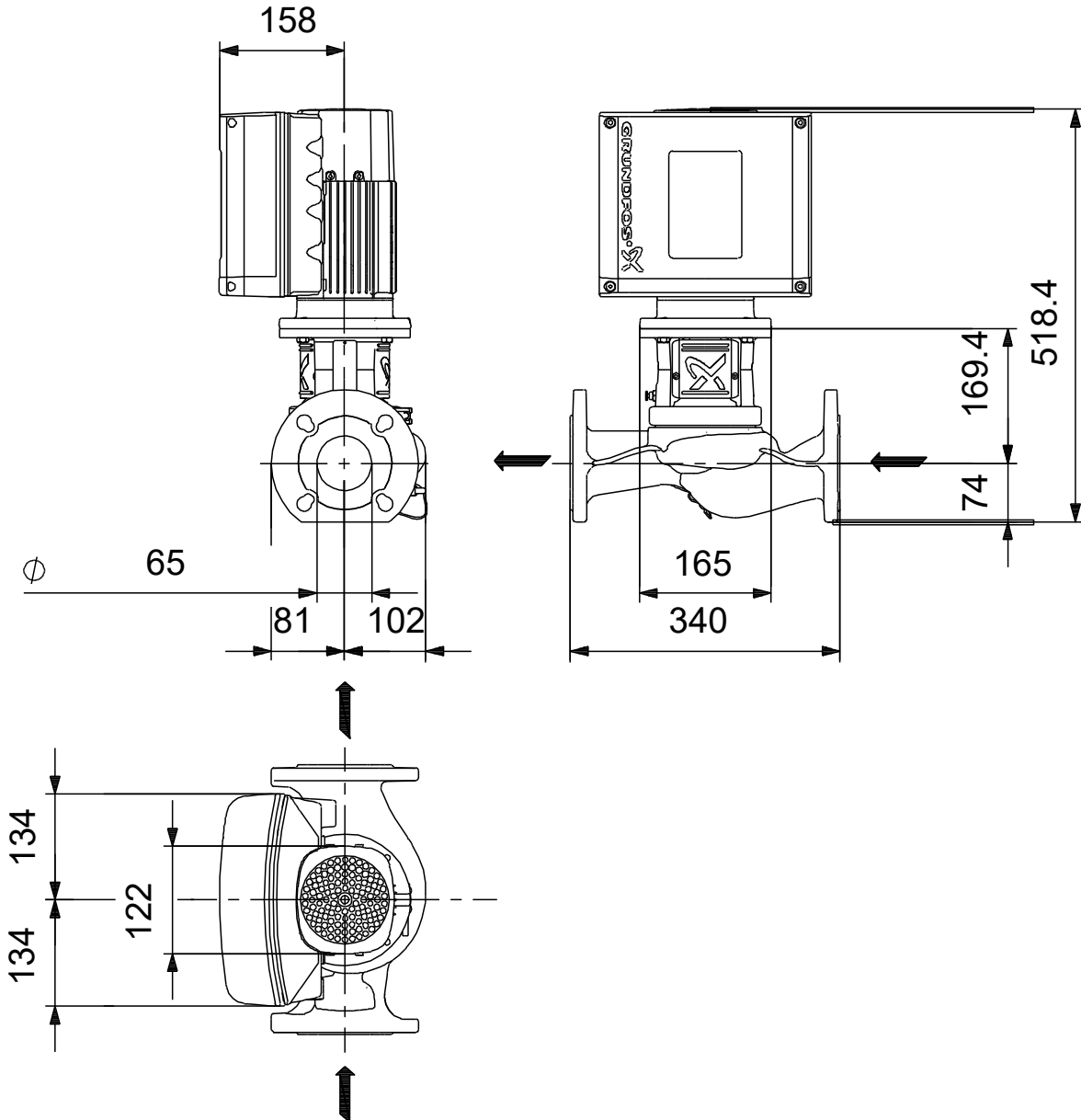
Description	Value
Gross weight:	40.9 kg
Shipping volume:	0.164 m <sup>3</sup>
Config. file no:	98485028
Danish VVS No.:	382153200
Finnish LVI No.:	4616341

## 98416878 TPE3 65-200 S-A-F-I-BQQE-IDC





## 98416878 TPE3 65-200 S-A-F-I-BQQE-IDC



Note! All units are in [mm] unless others are stated.  
 Disclaimer: This simplified dimensional drawing does not show all details.

## 98416878 TPE3 65-200 S-A-F-I-BQQE-IDC



Note! All units are in [mm] unless others are stated.



**Company name:** Pump Sales Direct

**Created by:**

**Phone:**

**Date:** 15/06/2022

---

**Order Data:**

Product name: TPE3 65-200

Amount: 1

Product No: 98416878

Total: Price on request

---