

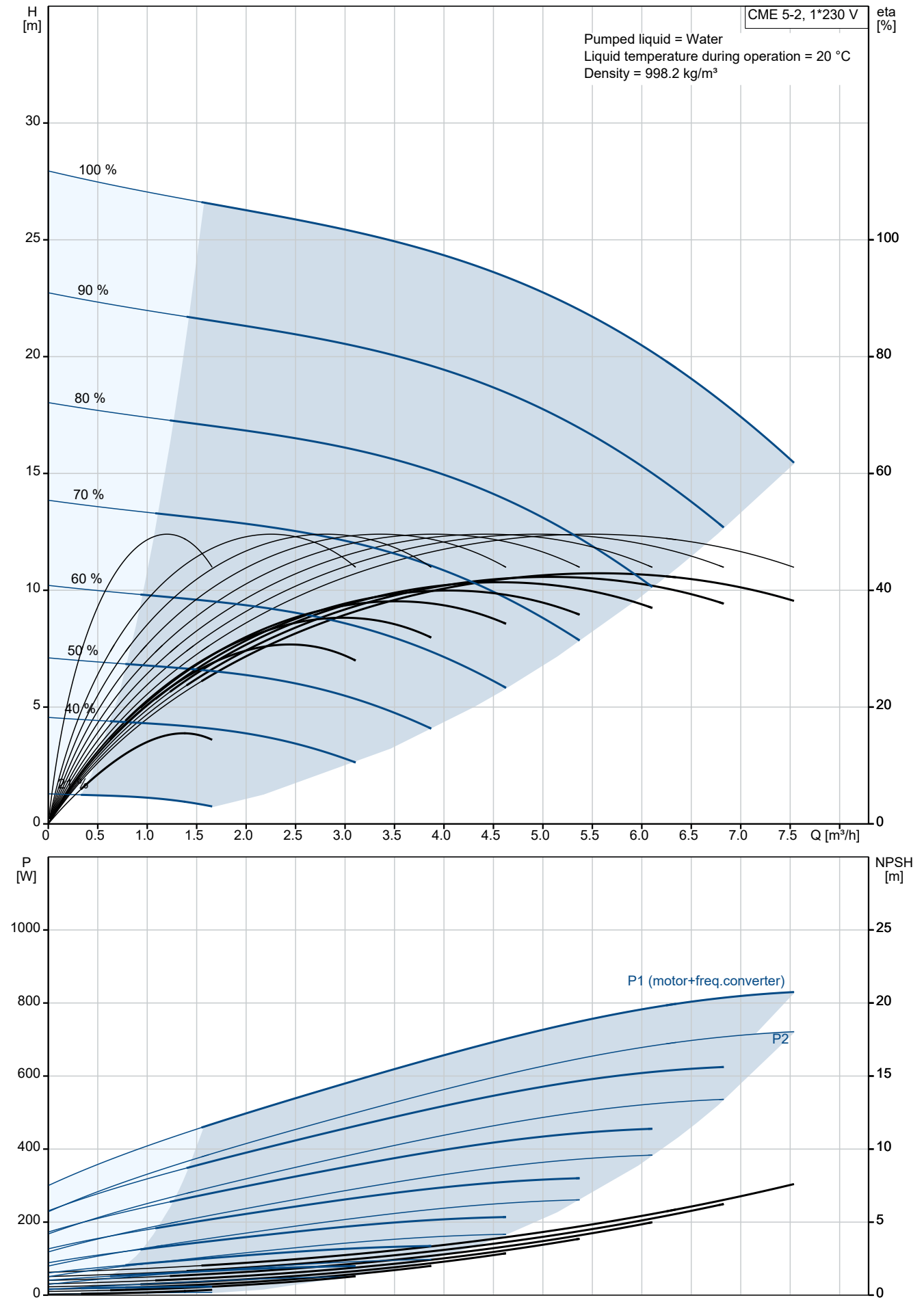


Qty.	Description
1	<p data-bbox="201 159 568 188">CME 5-2 A-R-I-E-AQQE U-A-D-N</p>  <p data-bbox="201 481 464 510">Product No.: 98395001</p> <p data-bbox="201 542 1445 616">Compact, reliable, horizontal, multistage, end-suction centrifugal pump with axial suction port and radial discharge port. Pump materials in contact with the liquid are in stainless steel. The mechanical shaft seal is a special designed, unbalanced O-ring seal. Pipework connection is via internal Whitworth pipe threads, Rp (ISO 7/1).</p> <p data-bbox="201 683 1126 712">The pump is fitted with a 1-phase, fan-cooled, permanent-magnet, synchronous motor.</p> <p data-bbox="201 714 1015 743">The motor efficiency is classified as IE5 in accordance with IEC 60034-30-2.</p> <p data-bbox="201 745 1394 795">The motor includes a frequency converter and PI controller in the motor terminal box. This enables continuously variable control of the motor speed, which again enables adaptation of the performance to a given requirement.</p> <p data-bbox="201 831 1449 904">An operating panel on the motor terminal box enables setting of required setpoint as well as setting of pump to "Min." or "Max." operation or to "Stop". The Grundfos Eye indicator on the operating panel provides visual indication of pump status:</p> <ul data-bbox="240 916 1458 1059" style="list-style-type: none"> • "Power on": Motor is running (rotating green indicator lights) or not running (permanently green indicator lights) • "Warning": Motor is still running (rotating yellow indicator lights) or has stopped (permanently yellow indicator lights) • "Alarm": Motor has stopped (flashing red indicator lights). <p data-bbox="201 1064 1422 1137">Communication with the pump is possible by means of Grundfos GO Remote (accessory). The remote control enables further settings as well as reading out of a number of parameters such as "Actual value", "Speed", "Power input" and total "Power consumption".</p> <p data-bbox="201 1149 794 1178">The terminal box holds terminals for these connections:</p> <ul data-bbox="240 1180 882 1442" style="list-style-type: none"> - one dedicated digital input - two analog inputs, 0(4)-20 mA, 0-5 V, 0-10 V, 0.5 - 3.5 V - 5 V voltage supply to potentiometer and sensor - one configurable digital input or open-collector output - Grundfos Digital Sensor input and output - 24 V voltage supply for sensors - two signal-relay outputs (potential-free contacts) - GENbus connection - interface for Grundfos CIM fieldbus module. <p data-bbox="201 1473 512 1503">Further product details</p> <p data-bbox="201 1509 1449 1561">Pump and motor are integrated in a compact and user-friendly design. The pump is fitted to a low base plate, making it ideal for installation in systems where compactness is important.</p> <p data-bbox="201 1568 1372 1619">The state-of-the-art design and materials of the shaft seal ensure high wear resistance, improved sticking and dry-running capabilities and long operating life.</p> <p data-bbox="201 1626 1453 1677">Servicing the pump requires no special service tools. Service parts are in stock for quick delivery and are available as kits, single parts or bulk. Service videos are available on www.youtube.com.</p> <p data-bbox="201 1713 775 1742">Frequency converter operation offers these functions:</p> <ul data-bbox="240 1744 799 1830" style="list-style-type: none"> - controlled operation, i.e. consumption fluctuates - constant pressure - communication with the pump. <p data-bbox="201 1861 1198 1890">Adaption of performance through frequency-controlled speed offers obvious benefits such as:</p> <ul data-bbox="240 1892 970 1977" style="list-style-type: none"> - energy savings - increased comfort - control and monitoring of the application and pump performance. <p data-bbox="201 1982 1449 2056">An operating panel on the motor terminal box enables setting of required setpoint as well as setting of pump to "Min." or "Max." operation or to "Stop". The Grundfos Eye indicator on the operating panel provides visual indication of pump status:</p> <ul data-bbox="240 2067 256 2096" style="list-style-type: none"> •

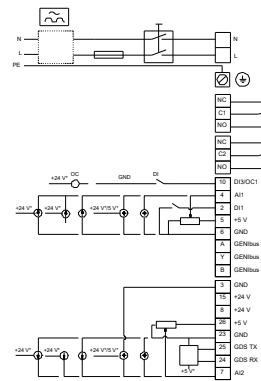
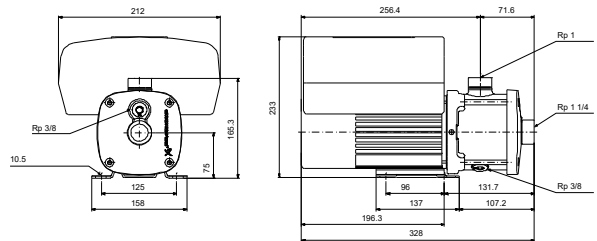
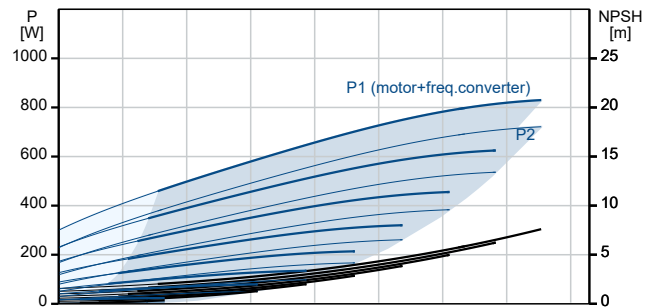
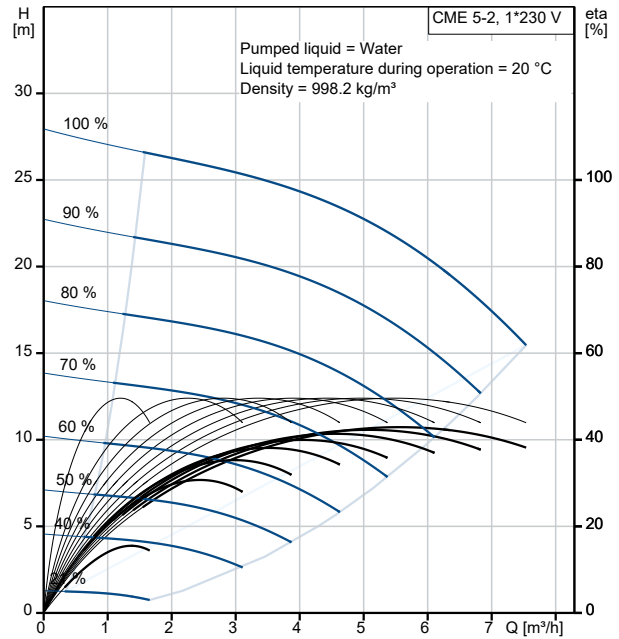
Qty.	Description
1	<p data-bbox="277 159 1461 190">"Power on": Motor is running (rotating green indicator lights) or not running (permanently green indicator lights)</p> <ul data-bbox="240 219 1441 309" style="list-style-type: none"> <li data-bbox="240 219 1441 271">• "Warning": Motor is still running (rotating yellow indicator lights) or has stopped (permanently yellow indicator lights) <li data-bbox="240 277 887 309">• "Alarm": Motor has stopped (flashing red indicator lights). <p data-bbox="201 309 1425 383">Communication with the pump is possible by means of Grundfos GO Remote (accessory). The remote control enables further settings as well as reading out of a number of parameters such as "Actual value", "Speed", "Power input" and total "Power consumption".</p> <p data-bbox="201 394 284 425">Pump</p> <p data-bbox="201 432 1441 528">A combination of a stop ring and a Nord-lock® washer secures a tight and reliable fixation of the impeller spacing pipes to the splined pump shaft. It is possible to remove and fit the hydraulic parts from the pump side. The inlet and outlet port are integrated in the pump sleeve. The inlet part, chambers and discharge part are hold together by four staybolts and a retaining flange.</p> <p data-bbox="201 539 1430 595">The pump is fitted with an unbalanced O-ring seal with a rigid torque-transmission system. It has a fixed seal driver ensuring a reliable rotation of all parts. The dynamic secondary seal is an O-ring.</p> <p data-bbox="201 602 323 629">Seal faces:</p> <ul data-bbox="240 629 788 687" style="list-style-type: none"> <li data-bbox="240 629 788 658">• Rotating seal ring material: silicon carbide (SiC) <li data-bbox="240 658 761 687">• Stationary seat material: silicon carbide (SiC) <p data-bbox="201 687 1450 741">This material pairing is used where higher corrosion resistance is required. The high hardness of this material pairing offers good resistance against abrasive particles.</p> <p data-bbox="201 745 850 775">Secondary seal material: EPDM (ethylene-propylene rubber)</p> <p data-bbox="201 775 1075 804">EPDM has excellent resistance to hot water. EPDM is not suitable for mineral oils.</p>  <p data-bbox="201 1021 1415 1052">The pump shaft is connected to the motor shaft through a left thread and tight fit. The shaft cannot be dismantled.</p> <p data-bbox="201 1081 284 1113">Motor</p> <p data-bbox="201 1117 1457 1169">The motor is a totally enclosed, fan-cooled motor with principal dimensions to EN 50347. Electrical tolerances comply with EN 60034.</p> <p data-bbox="201 1205 1015 1234">The motor efficiency is classified as IE5 in accordance with IEC 60034-30-2.</p> <p data-bbox="201 1234 1410 1288">The motor requires no external motor protection. The motor control unit incorporates protection against slow- and quick-rising temperatures, e.g. constant overload and stalled conditions.</p> <p data-bbox="201 1292 796 1321">The terminal box holds terminals for these connections:</p> <ul data-bbox="240 1321 882 1588" style="list-style-type: none"> <li data-bbox="240 1321 560 1350">- one dedicated digital input <li data-bbox="240 1350 882 1379">- two analog inputs, 0(4)-20 mA, 0-5 V, 0-10 V, 0.5 - 3.5 V <li data-bbox="240 1379 783 1408">- 5 V voltage supply to potentiometer and sensor <li data-bbox="240 1408 847 1438">- one configurable digital input or open-collector output <li data-bbox="240 1438 716 1467">- Grundfos Digital Sensor input and output <li data-bbox="240 1467 616 1496">- 24 V voltage supply for sensors <li data-bbox="240 1496 793 1525">- two signal-relay outputs (potential-free contacts) <li data-bbox="240 1525 501 1554">- GENIbus connection <li data-bbox="240 1554 745 1583">- interface for Grundfos CIM fieldbus module. <p data-bbox="201 1590 400 1621">Technical data</p> <p data-bbox="201 1682 301 1711">Controls:</p> <p data-bbox="201 1711 639 1740">Frequency converter: Built-in</p> <p data-bbox="201 1771 276 1800">Liquid:</p> <p data-bbox="201 1800 632 1830">Pumped liquid: Water</p> <p data-bbox="201 1830 702 1859">Liquid temperature range: -20 .. 120 °C</p> <p data-bbox="201 1859 628 1888">Selected liquid temperature: 20 °C</p> <p data-bbox="201 1888 695 1917">Density: 998.2 kg/m³</p> <p data-bbox="201 1948 314 1977">Technical:</p> <p data-bbox="201 1977 818 2007">Pump speed on which pump data are based: 3480 rpm</p> <p data-bbox="201 2007 670 2036">Rated flow: 5.64 m³/h</p> <p data-bbox="201 2036 654 2065">Rated head: 21.37 m</p> <p data-bbox="201 2065 636 2094">Code for shaft seal: AQQE</p>

Qty.	Description
1	<p>Approvals and markings: CE,EAC,CURUS,UKCA Approvals for drinking water: WRAS,ACS,UBA Curve tolerance: ISO9906:2012 3B</p> <p>Materials:</p> <p>Pump housing: Stainless steel EN 1.4301 AISI 304</p> <p>Impeller: Stainless steel EN 1.4301 AISI 304</p> <p>Installation:</p> <p>Range of ambient temperature: -20 .. 55 °C Maximum operating pressure: 16 bar Max pressure at stated temp: 16 bar / 90 °C 10 bar / 120 °C</p> <p>Type of connection: Rp Size of inlet connection: 1 1/4 inch Size of outlet connection: 1 inch Outlet position: 12</p> <p>Electrical data:</p> <p>Motor standard: IEC Frame size: 80B Rated power - P2: 1.1 kW Mains frequency: 50 / 60 Hz Suitable for 50/60 Hz: Y Rated voltage: 1 x 200-240 V Rated current: 6.70-5.60 A Rated speed: 360-3420 rpm Enclosure class (IEC 34-5): IP55 Insulation class (IEC 85): F</p> <p>Others:</p> <p>Terminal box position: 12 Minimum efficiency index, MEI ≥: 0.7 Net weight: 15.1 kg Gross weight: 18.6 kg Danish VVS No.: 385232020 Country of origin: HU Custom tariff no.: 84137075</p>

98395001 CME 5-2 A-R-I-E-AQQE U-A-D-N

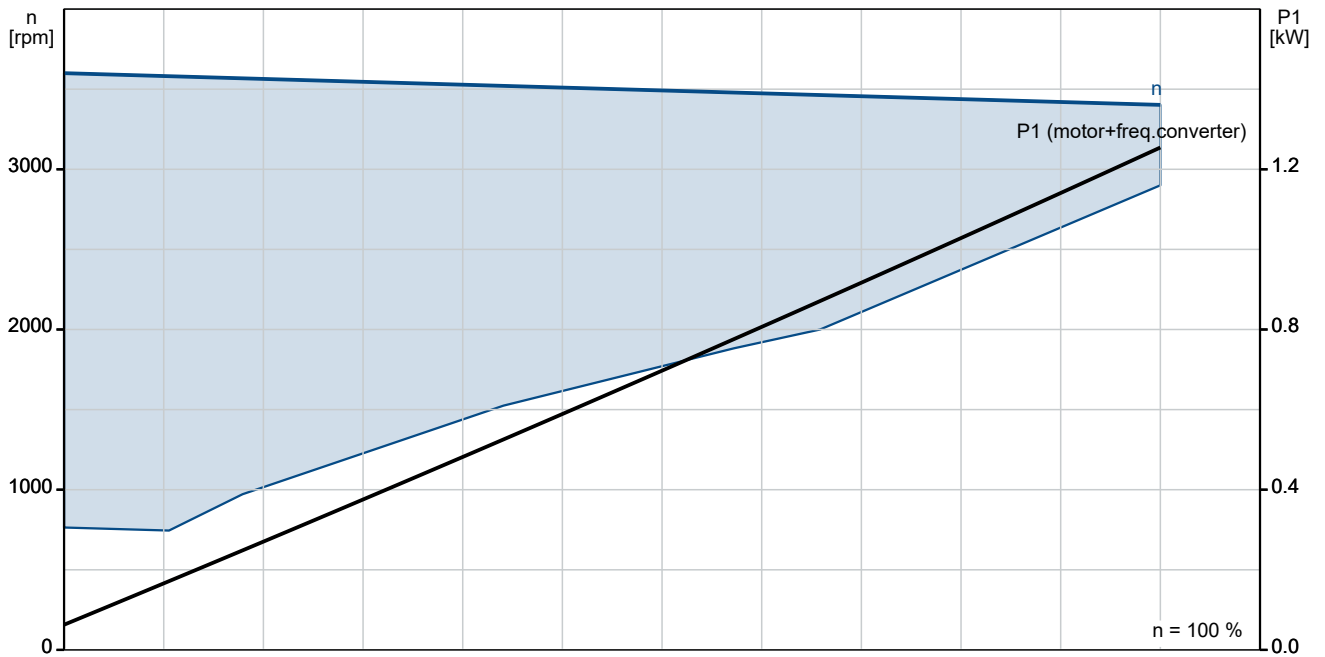
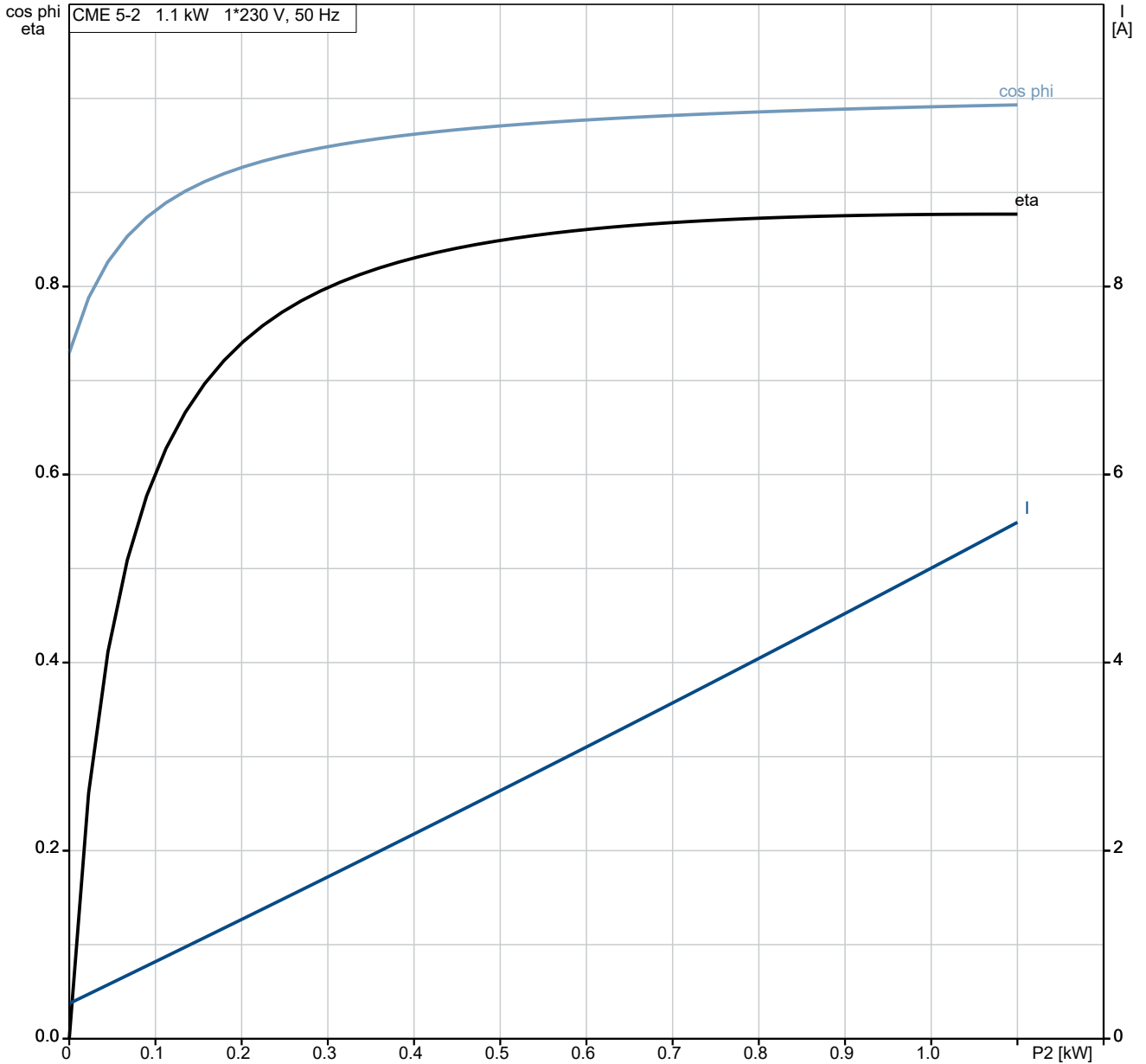


Description	Value
General information:	
Product name:	CME 5-2 A-R-I-E-AQQE U-A-D-N
Product No:	98395001
EAN number:	5711494282081
Technical:	
Pump speed on which pump data are based:	3480 rpm
Rated flow:	5.64 m ³ /h
Rated head:	21.37 m
Impellers:	2
Code for shaft seal:	AQQE
Approvals and markings:	CE,EAC,CURUS,UKCA
Approvals for drinking water:	WRAS,ACS,UBA
Curve tolerance:	ISO9906:2012 3B
Pump version:	A
The first model is called A which is followed by model B, C etc.:	A
Materials:	
Pump housing:	Stainless steel
Pump housing:	EN 1.4301
Pump housing:	AISI 304
Impeller:	Stainless steel
Impeller:	EN 1.4301
Impeller:	AISI 304
Material code:	I
Code for rubber:	E
Installation:	
Range of ambient temperature:	-20 .. 55 °C
Maximum operating pressure:	16 bar
Max pressure at stated temp:	16 bar / 90 °C
Max pressure at stated temp:	10 bar / 120 °C
Type of connection:	Rp
Size of inlet connection:	1 1/4 inch
Size of outlet connection:	1 inch
Outlet position:	12
Connect code:	R
Liquid:	
Pumped liquid:	Water
Liquid temperature range:	-20 .. 120 °C
Selected liquid temperature:	20 °C
Density:	998.2 kg/m ³
Electrical data:	
Motor standard:	IEC
Frame size:	80B
Rated power - P2:	1.1 kW
Mains frequency:	50 / 60 Hz
Suitable for 50/60 Hz:	Y
Rated voltage:	1 x 200-240 V
Rated current:	6.70-5.60 A
Rated speed:	360-3420 rpm
Enclosure class (IEC 34-5):	IP55
Insulation class (IEC 85):	F
Controls:	
Frequency converter:	Built-in
Others:	
Terminal box position:	12
Minimum efficiency index, MEI ≥:	0.7
Net weight:	15.1 kg
Gross weight:	18.6 kg
Danish VVS No.:	385232020
Country of origin:	HU
Custom tariff no.:	84137075

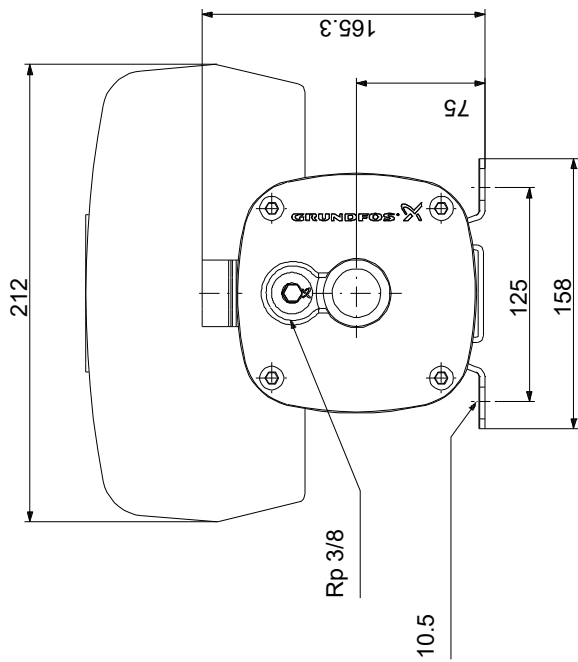
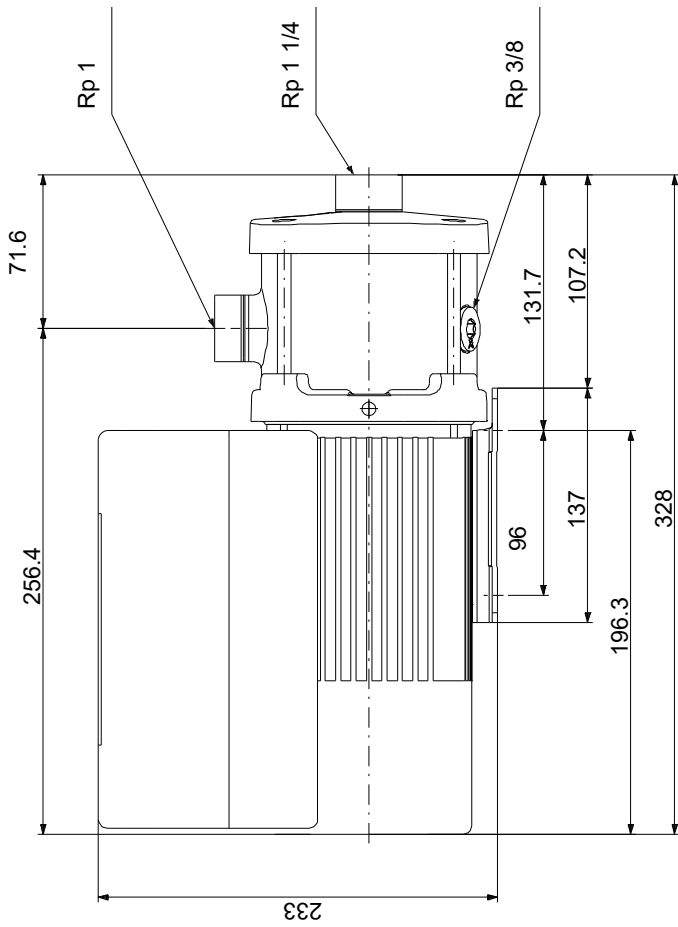


98395001 CME 5-2 A-R-I-E-AQQE U-A-D-N

CME 5-2 1.1 kW 1*230 V, 50 Hz

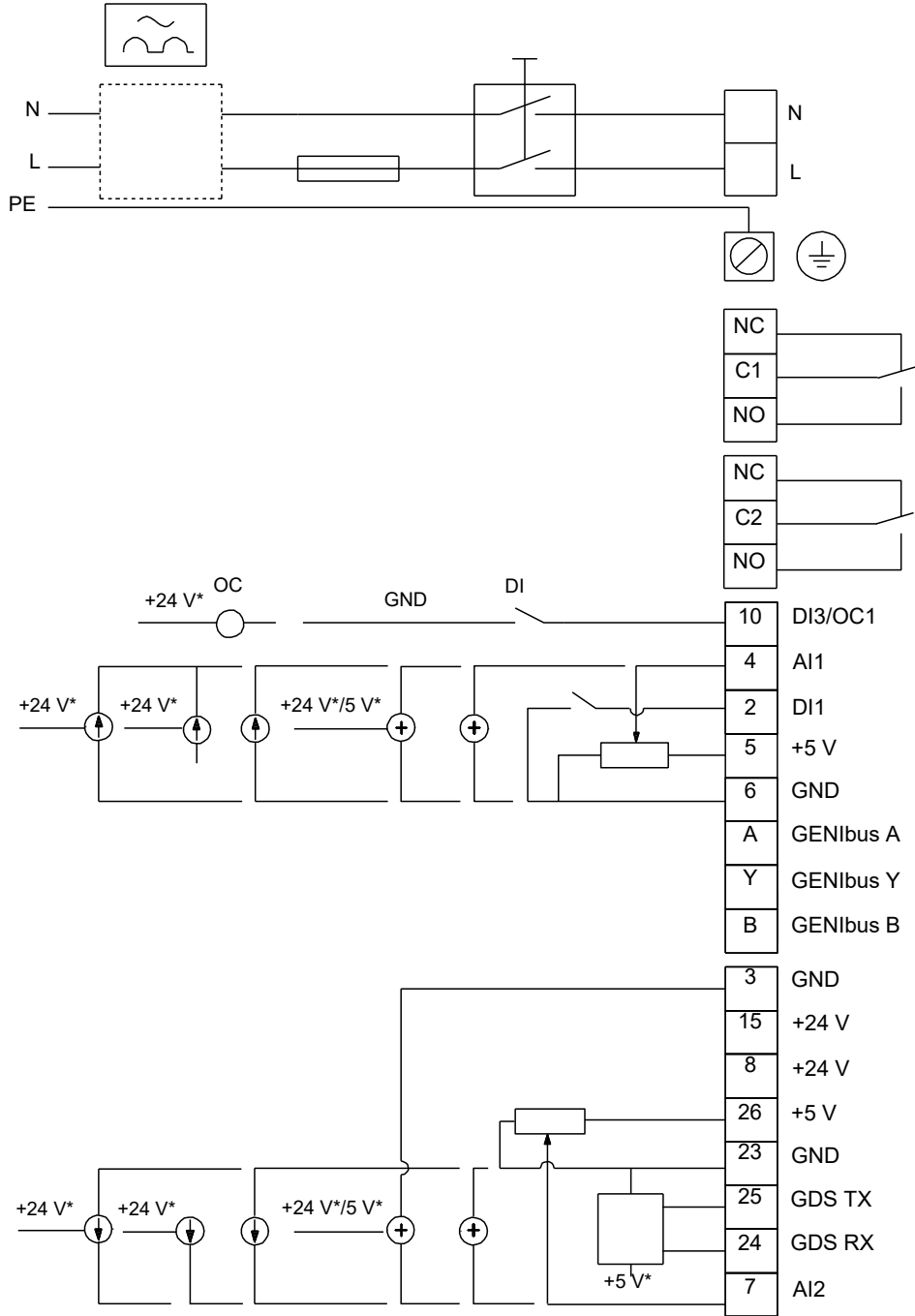


98395001 CME 5-2 A-R-I-E-AQQE U-A-D-N



Note! All units are in [mm] unless others are stated.
Disclaimer: This simplified dimensional drawing does not show all details.

98395001 CME 5-2 A-R-I-E-AQQE U-A-D-N



Note! All units are in [mm] unless others are stated.

