

Qty.	Description
------	-------------

1	TP 25-50/2 A-O-I-BQQE-AX1
---	---------------------------



Note! Product picture may differ from actual product

Product No.: [98346632](#)

Single-stage, close-coupled, volute pump with in-line suction and discharge ports of identical diameter.

The pump is of the top-pull-out design, i.e. the power head (motor, pump head and impeller) can be removed for maintenance or service while the pump housing remains in the pipework.

The pump is fitted with an unbalanced rubber bellows seal.

The shaft seal is according to EN 12756. The pump is fitted with a fan-cooled asynchronous motor.

The stainless-steel pump housing makes the pump suitable for circulation of hot water.

Cast-iron parts have an epoxy-based coating made in a cathodic electro-deposition (CED) process. CED is a high-quality dip-painting process where an electrical field around the products ensures deposition of paint particles as a thin, well-controlled layer on the surface.

Pump

The pump housing is provided with a replaceable stainless steel/PTFE neck ring to reduce the amount of liquid running from the discharge side of the impeller to the suction side.

The impeller is secured with a split cone pressed onto the shaft.

The pump is fitted with an unbalanced rubber bellows seal with torque transmission across the spring and around the bellows. Due to the bellows, the seal does not wear the shaft, and the axial movement is not prevented by deposits on the shaft.

Seal faces:

- Rotating seal ring material: silicon carbide (SiC)
- Stationary seat material: silicon carbide (SiC)

This material pairing is used where higher corrosion resistance is required. The high hardness of this material pairing offers good resistance against abrasive particles.

Secondary seal material: EPDM (ethylene-propylene rubber)

EPDM has excellent resistance to hot water. EPDM is not suitable for mineral oils.

A circulation of liquid through the duct of the air vent screw ensures lubrication and cooling of the shaft seal.

The motor stool forms connection between the pump housing and the motor, and is equipped with a manual air vent screw for venting of the pump housing and the shaft seal chamber. The sealing between motor stool and pump housing is an O-ring or a flat gasket.

The central part of the motor stool is provided with guards for protection against the shaft and coupling. Motor and pump shaft are connected via a shell coupling.

Motor

The motor is a totally enclosed, fan-cooled motor with principal dimensions to IEC and DIN standards. Electrical tolerances comply with IEC 60034.

The motor is flange-mounted with tapped-hole flange (FT).

Motor-mounting designation in accordance with IEC 60034-7: IM B 14, IM V 18 (Code I) / IM 3601, IM 3611 (Code II).

The motor has built-in thermal protection (PTO current and temperature sensors) in accordance with IEC 60034-11 and requires no further motor protection. The protection reacts to both slow- and quick-rising temperatures, e.g. constant overload and stalled conditions.

As the thermal protection incorporates automatic reset, the motor must be connected in a way which ensures that the automatic reset cannot cause accidents.

Further product details

Qty.	Description
1	<p data-bbox="201 338 1453 416">Cast-iron parts have an epoxy-based coating made in a cathodic electro-deposition (CED) process. CED is a high-quality dip-painting process where an electrical field around the products ensures deposition of paint particles as a thin, well-controlled layer on the surface.</p> <p data-bbox="201 483 400 512">Technical data</p> <p data-bbox="201 551 300 573">Controls:</p> <p data-bbox="201 577 635 607">Frequency converter: NONE</p> <p data-bbox="201 640 272 663">Liquid:</p> <p data-bbox="201 667 632 696">Pumped liquid: Water</p> <p data-bbox="201 701 703 730">Liquid temperature range: -25 .. 120 °C</p> <p data-bbox="201 734 632 763">Selected liquid temperature: 20 °C</p> <p data-bbox="201 768 695 797">Density: 998.2 kg/m³</p> <p data-bbox="201 819 312 842">Technical:</p> <p data-bbox="201 846 815 875">Pump speed on which pump data are based: 2800 rpm</p> <p data-bbox="201 880 667 909">Rated flow: 3.72 m³/h</p> <p data-bbox="201 913 632 943">Rated head: 2.7 m</p> <p data-bbox="201 947 639 976">Actual impeller diameter: 68 mm</p> <p data-bbox="201 981 632 1010">Code for shaft seal: BQQE</p> <p data-bbox="201 1014 767 1043">Curve tolerance: ISO9906:2012 3B2</p> <p data-bbox="201 1066 304 1088">Materials:</p> <p data-bbox="201 1093 719 1167">Pump housing: Stainless steel EN 1.4308 ASTM CF8</p> <p data-bbox="201 1171 715 1245">Impeller: Composite PES+30% GF</p> <p data-bbox="201 1267 320 1290">Installation:</p> <p data-bbox="201 1294 687 1323">Range of ambient temperature: -30 .. 40 °C</p> <p data-bbox="201 1328 632 1357">Maximum operating pressure: 10 bar</p> <p data-bbox="201 1361 727 1391">Max pressure at stated temp: 10 bar / 120 °C</p> <p data-bbox="201 1395 584 1424">Type of connection: G</p> <p data-bbox="201 1429 632 1458">Size of connection: DN 25</p> <p data-bbox="201 1462 632 1491">Pressure rating for connection: PN 10</p> <p data-bbox="201 1496 639 1525">Port-to-port length: 180 mm</p> <p data-bbox="201 1529 632 1559">Flange size for motor: FT75</p> <p data-bbox="201 1581 360 1603">Electrical data:</p> <p data-bbox="201 1608 608 1637">Motor type: 71A</p> <p data-bbox="201 1641 655 1671">Rated power - P2: 0.12 kW</p> <p data-bbox="201 1675 632 1704">Mains frequency: 50 Hz</p> <p data-bbox="201 1709 715 1738">Rated voltage: 1 x 220-240 V</p> <p data-bbox="201 1742 687 1771">Rated current: 1.36-1.57 A</p> <p data-bbox="201 1776 679 1805">Starting current: 400-370 %</p> <p data-bbox="201 1809 608 1839">Cos phi - power factor: 0.77</p> <p data-bbox="201 1843 727 1872">Rated speed: 2815-2835 rpm</p> <p data-bbox="201 1877 695 1906">Motor efficiency at full load: 52.3-53.2 %</p> <p data-bbox="201 1910 584 1939">Number of poles: 2</p> <p data-bbox="201 1944 727 1973">Enclosure class (IEC 34-5): 55 Dust/Jetting</p> <p data-bbox="201 1977 584 2007">Insulation class (IEC 85): F</p> <p data-bbox="201 2011 671 2040">Motor No: 98714251</p> <p data-bbox="201 2063 280 2085">Others:</p> <p data-bbox="201 2089 632 2119">Net weight: 9.6 kg</p> <p data-bbox="201 2123 639 2152">Gross weight: 11.6 kg</p>



Company name:

Created by:

Phone:

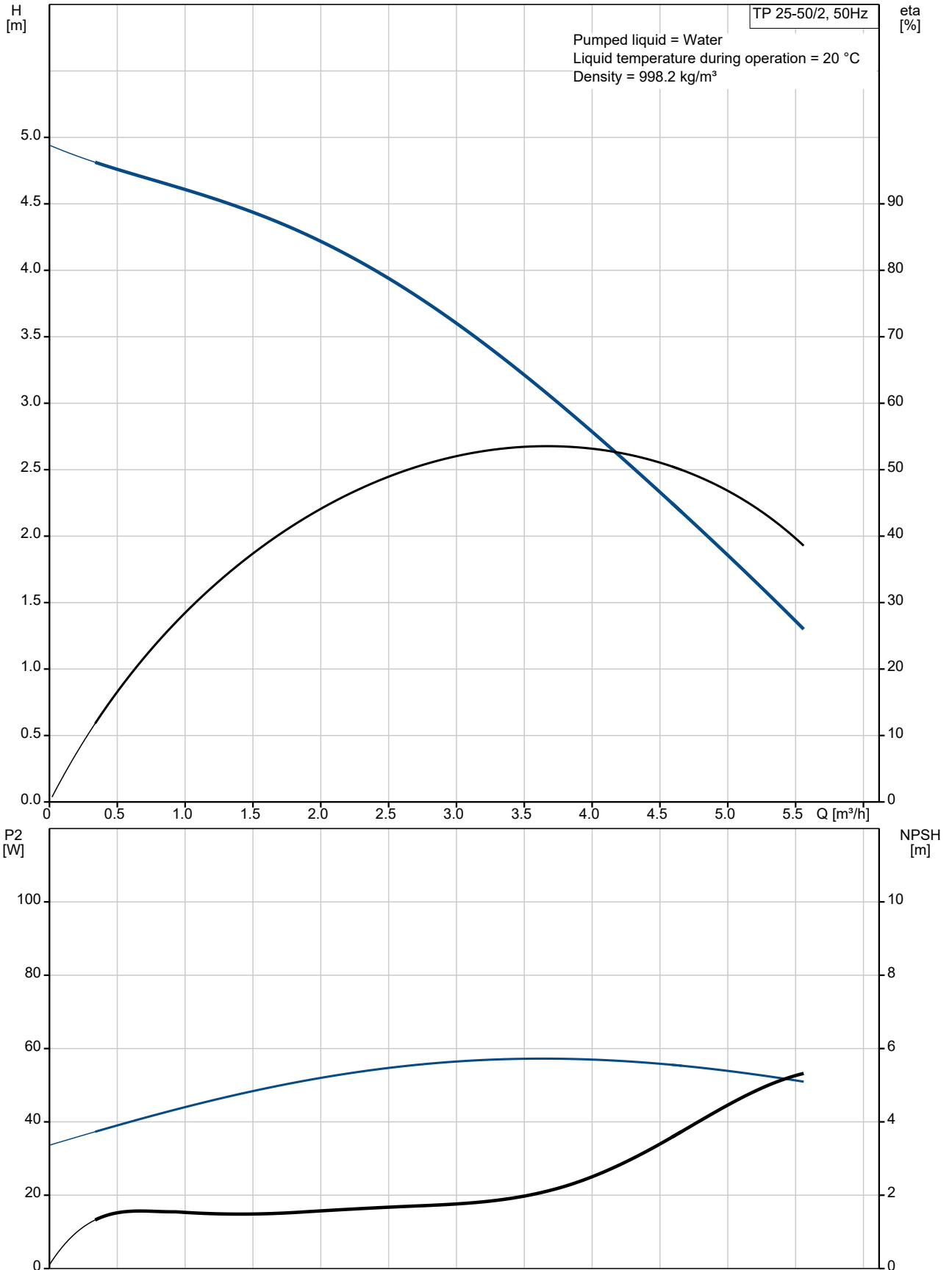
Date:

08/08/2022

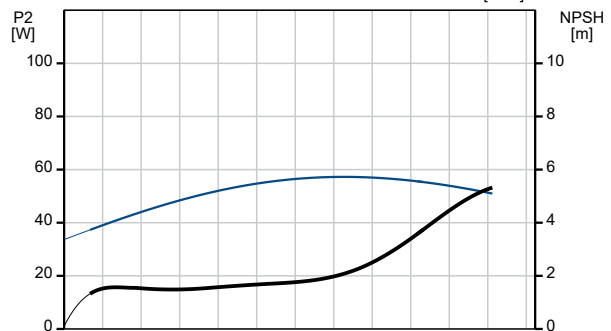
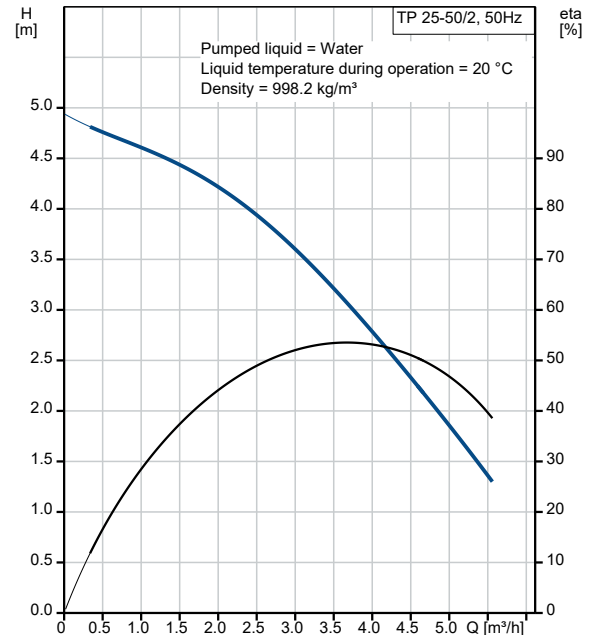
Qty.	Description
------	-------------

1	Shipping volume: 0.041 m ³ Danish VVS No.: 381874050 Country of origin: HU Custom tariff no.: 84137051
---	--

98346632 TP 25-50/2 A-O-I-BQQE-AX1 50 Hz



Description	Value
General information:	
Product name:	TP 25-50/2 A-O-I-BQQE-AX1
Product No:	98346632
EAN number:	5711493380337
Technical:	
Pump speed on which pump data are based:	2800 rpm
Rated flow:	3.72 m ³ /h
Rated head:	2.7 m
Maximum head:	50 dm
Actual impeller diameter:	68 mm
Code for shaft seal:	BQQE
Curve tolerance:	ISO9906:2012 3B2
Pump version:	A
Materials:	
Pump housing:	Stainless steel
Pump housing:	EN 1.4308
Pump housing:	ASTM CF8
Impeller:	Composite
Impeller:	PES+30% GF
Material code:	I
Installation:	
Range of ambient temperature:	-30 .. 40 °C
Maximum operating pressure:	10 bar
Max pressure at stated temp:	10 bar / 120 °C
Type of connection:	G
Size of connection:	DN 25
Pressure rating for connection:	PN 10
Port-to-port length:	180 mm
Flange size for motor:	FT75
Connect code:	O
Liquid:	
Pumped liquid:	Water
Liquid temperature range:	-25 .. 120 °C
Selected liquid temperature:	20 °C
Density:	998.2 kg/m ³
Electrical data:	
Motor type:	71A
Rated power - P2:	0.12 kW
Mains frequency:	50 Hz
Rated voltage:	1 x 220-240 V
Rated current:	1.36-1.57 A
Starting current:	400-370 %
Cos phi - power factor:	0.77
Rated speed:	2815-2835 rpm
Motor efficiency at full load:	52.3-53.2 %
Number of poles:	2
Enclosure class (IEC 34-5):	55 Dust/Jetting
Insulation class (IEC 85):	F
Built-in motor protection:	PTO
Motor No:	98714251
Controls:	
Frequency converter:	NONE
Others:	
Net weight:	9.6 kg
Gross weight:	11.6 kg
Shipping volume:	0.041 m ³
Danish VVS No.:	381874050





Company name:

Created by:

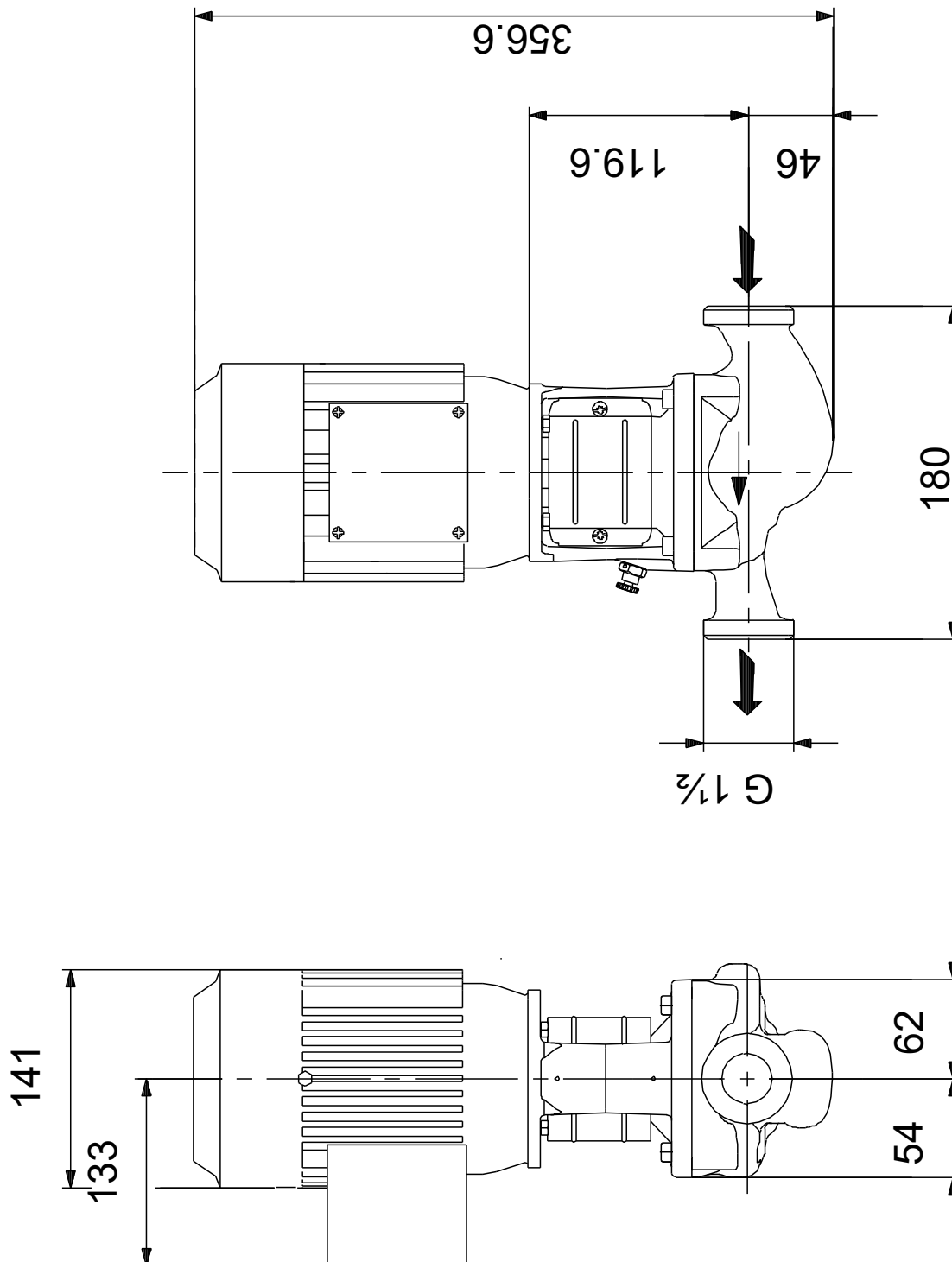
Phone:

Date:

08/08/2022

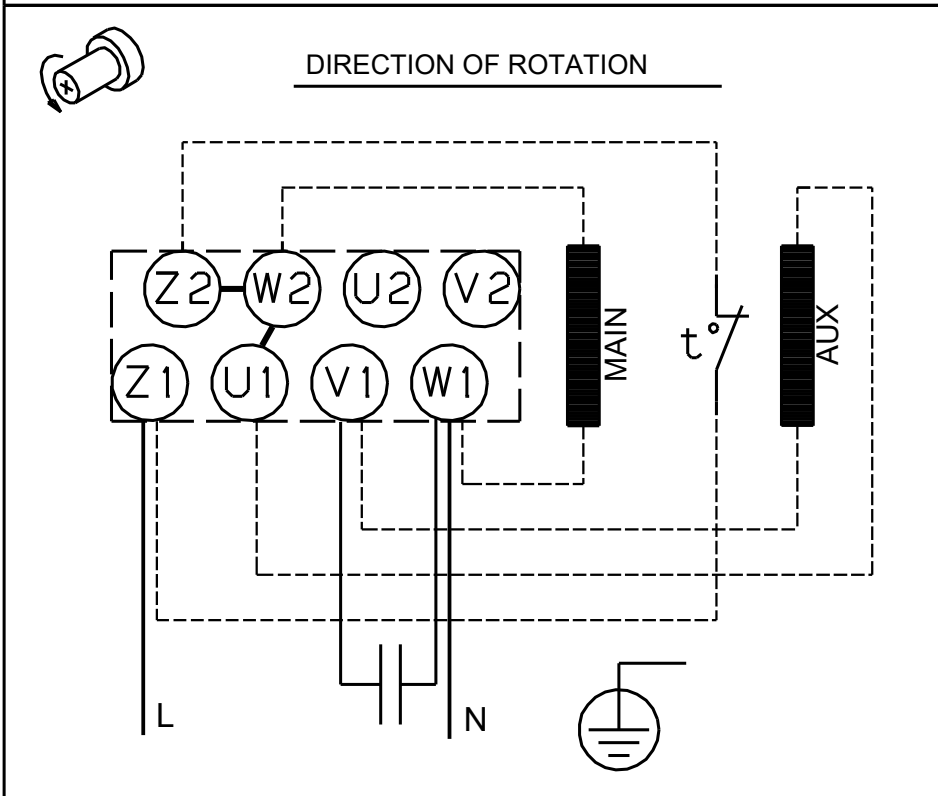
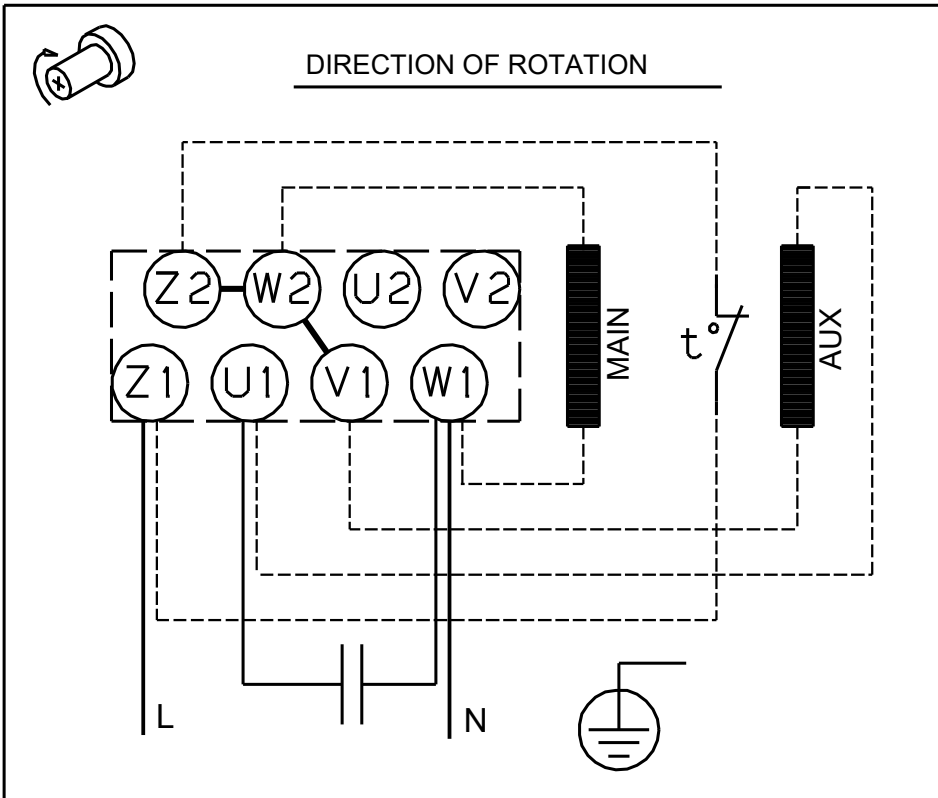
Description	Value
Country of origin:	HU
Custom tariff no.:	84137051

98346632 TP 25-50/2 A-O-I-BQQE-AX1 50 Hz



Note! All units are in [mm] unless others are stated.
Disclaimer: This simplified dimensional drawing does not show all details.

98346632 TP 25-50/2 A-O-I-BQQE-AX1 50 Hz



Note! All units are in [mm] unless others are stated.