

Qty. Description

1 NB 40-200/198 AAF2AESBQQEGW3



Product No.: [98161765](#)

Non-self-priming, single-stage, centrifugal volute pump designed according to ISO 5199 with dimensions and rated performance according to EN 733 (10 bar).

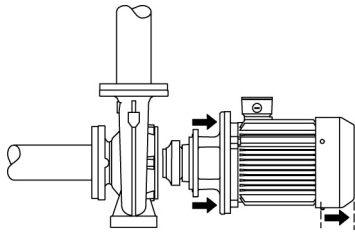
Flanges are PN 16 with dimensions according to EN 1092-2. The pump has an axial suction port, radial discharge port, horizontal shaft and a back pull-out design enabling removal of the motor, motor stool, cover and impeller without disturbing the pump housing or pipework.

The unbalanced rubber bellows seal is according to DIN EN 12756.

The pump is close-coupled to a fan-cooled asynchronous motor.

The product's minimum efficiency index (MEI) is greater or equal to 0.70. This is by the Commission Regulation (EU) considered as an indicative benchmark for best-performing water pump available on the market as from 1 January 2013.

The back pull-out design means that the pump can be serviced by a single person without disturbing the pump housing or pipes.



Cast-iron parts have an epoxy-based coating made in a cathodic electro-deposition (CED) process. CED is a high-quality dip-painting process where an electrical field around the products ensures deposition of paint particles as a thin, well-controlled layer on the surface.

Pump

The pump housing has both a priming and a drain hole closed by plugs. The impeller is a closed impeller with double-curved blades with smooth surfaces. The impeller is statically balanced according to ISO 1940-1 class G6.3 and hydraulically balanced to compensate for axial thrust.

Wear rings used in pump housing and for impeller are made of bronze/brass.

Motor stool and pump cover are made of cast iron (EN-GJL-250). Coupling guards are fitted to the motor stool. The pump cover is provided with a manual air vent screw for venting of the pump housing and the shaft seal chamber.

The pump is fitted with an unbalanced rubber bellows seal with torque transmission across the spring and around the bellows. Due to the bellows, the seal does not wear the shaft, and the axial movement is not prevented by deposits on the shaft.

Seal faces:

- Rotating seal ring material: silicon carbide (SiC)
- Stationary seat material: silicon carbide (SiC)

This material pairing is used where higher corrosion resistance is required. The high hardness of this material pairing offers good resistance against abrasive particles.

Secondary seal material: EPDM (ethylene-propylene rubber)

EPDM has excellent resistance to hot water. EPDM is not suitable for mineral oils.

The pump housing has feet.

Motor

Qty.	Description
1	<p>The motor is a totally enclosed, fan-cooled motor with principal dimensions to IEC and DIN standards. Electrical tolerances comply with IEC 60034.</p> <p>The motor efficiency is classified as IE3 in accordance with IEC 60034-30-1.</p> <p>The motor does not incorporate motor protection and must be connected to a motor-protective circuit breaker which can be manually reset. The motor-protective circuit breaker must be set according to the rated current of the motor (I1/1).</p> <p>The motor can be connected to a variable speed drive for adjustment of pump performance to any duty point. Grundfos CUE offers a range of variable speed drives. Please find more information in Grundfos Product Center.</p> <p>Further product details</p> <p>Cast-iron parts have an epoxy-based coating made in a cathodic electro-deposition (CED) process. CED is a high-quality dip-painting process where an electrical field around the products ensures deposition of paint particles as a thin, well-controlled layer on the surface.</p> <p>Technical data</p> <p>Controls:</p> <p>Frequency converter: NONE</p> <p>Pressure sensor: N</p> <p>Liquid:</p> <p>Pumped liquid: Water</p> <p>Liquid temperature range: -25 .. 120 °C</p> <p>Selected liquid temperature: 20 °C</p> <p>Density: 998.2 kg/m³</p> <p>Technical:</p> <p>Pump speed on which pump data are based: 1440 rpm</p> <p>Rated flow: 25.32 m³/h</p> <p>Rated head: 9.961 m</p> <p>Actual impeller diameter: 198 mm</p> <p>Nominal impeller diameter: 200</p> <p>Shaft seal arrangement: Single</p> <p>Code for shaft seal: BQQE</p> <p>Curve tolerance: ISO9906:2012 3B2</p> <p>Bearing design: Standard</p> <p>Materials:</p> <p>Pump housing: Cast iron EN-GJL-250 ASTM class 35</p> <p>Wear ring: Brass</p> <p>Impeller: Cast iron EN-GJL-200 ASTM class 30</p> <p>Internal pump house coating: CED</p> <p>Shaft: Stainless steel EN 1.4301 AISI 304</p> <p>Installation:</p> <p>t max amb: 55 °C</p> <p>Maximum operating pressure: 16 bar</p> <p>Pipe connection standard: EN 1092-2</p> <p>Size of inlet connection: DN 65</p> <p>Size of outlet connection: DN 40</p> <p>Pressure rating for connection: PN 16</p>

Qty.	Description																																																												
1	<table border="0"> <tr> <td>Bearing lubrication:</td> <td>Grease</td> </tr> <tr> <td>Pump housing with feet:</td> <td>Yes</td> </tr> <tr> <td>Support block (Yes/No):</td> <td>N</td> </tr> <tr> <td colspan="2">Electrical data:</td> </tr> <tr> <td>Motor type:</td> <td>SIEMENS</td> </tr> <tr> <td>IE Efficiency class:</td> <td>IE3</td> </tr> <tr> <td>Rated power - P2:</td> <td>1.1 kW</td> </tr> <tr> <td>Mains frequency:</td> <td>50 Hz</td> </tr> <tr> <td>Rated voltage:</td> <td>3 x 220-240D/380-420Y V</td> </tr> <tr> <td>Rated current:</td> <td>4.2/2.4 A</td> </tr> <tr> <td>Starting current:</td> <td>690-690 %</td> </tr> <tr> <td>Cos phi - power factor:</td> <td>0.78</td> </tr> <tr> <td>Rated speed:</td> <td>1440 rpm</td> </tr> <tr> <td>Efficiency:</td> <td>IE3 84,1%</td> </tr> <tr> <td>Motor efficiency at full load:</td> <td>84.1-84.1 %</td> </tr> <tr> <td>Motor efficiency at 3/4 load:</td> <td>84.7-84.7 %</td> </tr> <tr> <td>Motor efficiency at 1/2 load:</td> <td>83.4-83.4 %</td> </tr> <tr> <td>Number of poles:</td> <td>4</td> </tr> <tr> <td>Enclosure class (IEC 34-5):</td> <td>IP55</td> </tr> <tr> <td>Insulation class (IEC 85):</td> <td>F</td> </tr> <tr> <td>Motor No:</td> <td>83V02205</td> </tr> <tr> <td>Bearing insulation type N-end:</td> <td>N</td> </tr> <tr> <td colspan="2">Others:</td> </tr> <tr> <td>Minimum efficiency index, MEI ≥:</td> <td>0.70</td> </tr> <tr> <td>Net weight:</td> <td>52 kg</td> </tr> <tr> <td>Gross weight:</td> <td>69 kg</td> </tr> <tr> <td>Shipping volume:</td> <td>0.315 m³</td> </tr> <tr> <td>Danish VVS No.:</td> <td>386061204</td> </tr> <tr> <td>Country of origin:</td> <td>HU</td> </tr> <tr> <td>Custom tariff no.:</td> <td>84137051</td> </tr> </table>	Bearing lubrication:	Grease	Pump housing with feet:	Yes	Support block (Yes/No):	N	Electrical data:		Motor type:	SIEMENS	IE Efficiency class:	IE3	Rated power - P2:	1.1 kW	Mains frequency:	50 Hz	Rated voltage:	3 x 220-240D/380-420Y V	Rated current:	4.2/2.4 A	Starting current:	690-690 %	Cos phi - power factor:	0.78	Rated speed:	1440 rpm	Efficiency:	IE3 84,1%	Motor efficiency at full load:	84.1-84.1 %	Motor efficiency at 3/4 load:	84.7-84.7 %	Motor efficiency at 1/2 load:	83.4-83.4 %	Number of poles:	4	Enclosure class (IEC 34-5):	IP55	Insulation class (IEC 85):	F	Motor No:	83V02205	Bearing insulation type N-end:	N	Others:		Minimum efficiency index, MEI ≥:	0.70	Net weight:	52 kg	Gross weight:	69 kg	Shipping volume:	0.315 m ³	Danish VVS No.:	386061204	Country of origin:	HU	Custom tariff no.:	84137051
Bearing lubrication:	Grease																																																												
Pump housing with feet:	Yes																																																												
Support block (Yes/No):	N																																																												
Electrical data:																																																													
Motor type:	SIEMENS																																																												
IE Efficiency class:	IE3																																																												
Rated power - P2:	1.1 kW																																																												
Mains frequency:	50 Hz																																																												
Rated voltage:	3 x 220-240D/380-420Y V																																																												
Rated current:	4.2/2.4 A																																																												
Starting current:	690-690 %																																																												
Cos phi - power factor:	0.78																																																												
Rated speed:	1440 rpm																																																												
Efficiency:	IE3 84,1%																																																												
Motor efficiency at full load:	84.1-84.1 %																																																												
Motor efficiency at 3/4 load:	84.7-84.7 %																																																												
Motor efficiency at 1/2 load:	83.4-83.4 %																																																												
Number of poles:	4																																																												
Enclosure class (IEC 34-5):	IP55																																																												
Insulation class (IEC 85):	F																																																												
Motor No:	83V02205																																																												
Bearing insulation type N-end:	N																																																												
Others:																																																													
Minimum efficiency index, MEI ≥:	0.70																																																												
Net weight:	52 kg																																																												
Gross weight:	69 kg																																																												
Shipping volume:	0.315 m ³																																																												
Danish VVS No.:	386061204																																																												
Country of origin:	HU																																																												
Custom tariff no.:	84137051																																																												



Company name: Pump Sales Direct

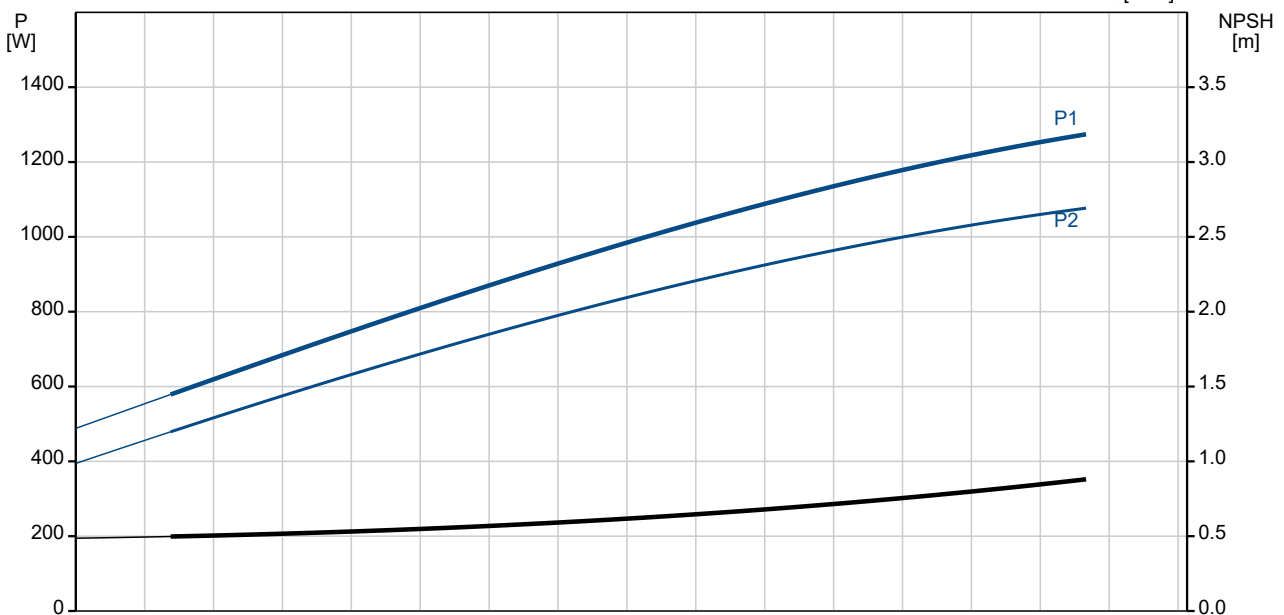
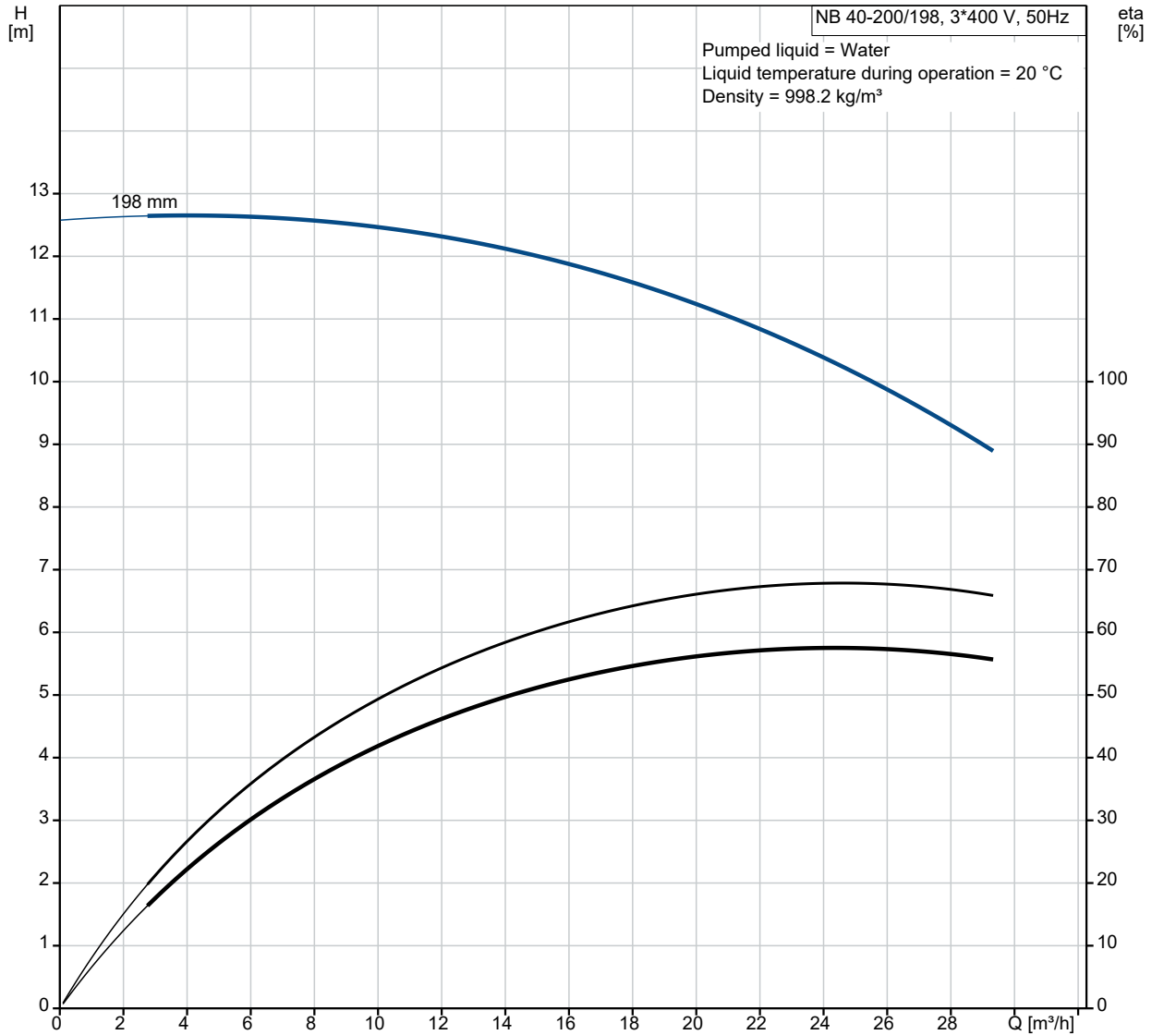
Created by:

Phone:

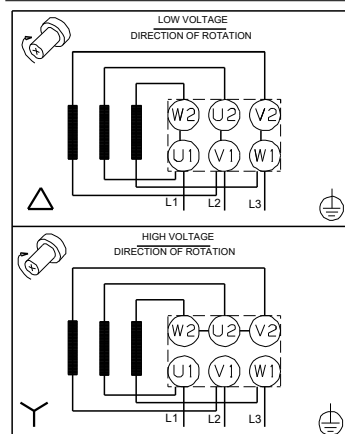
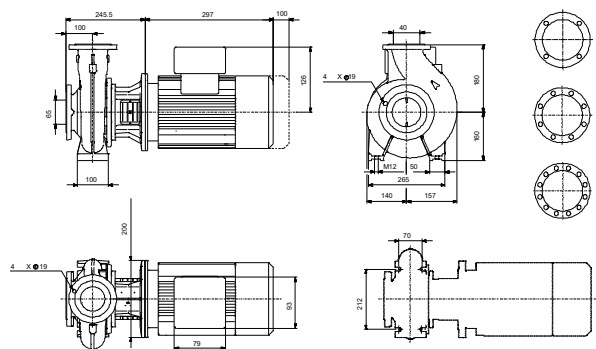
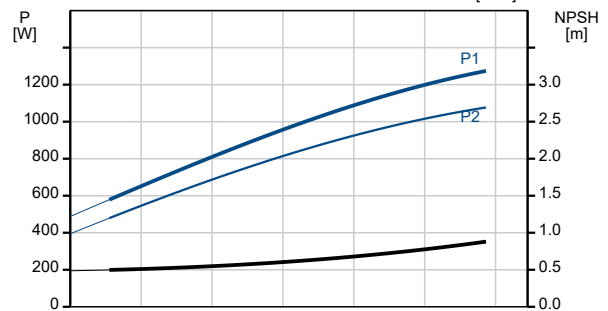
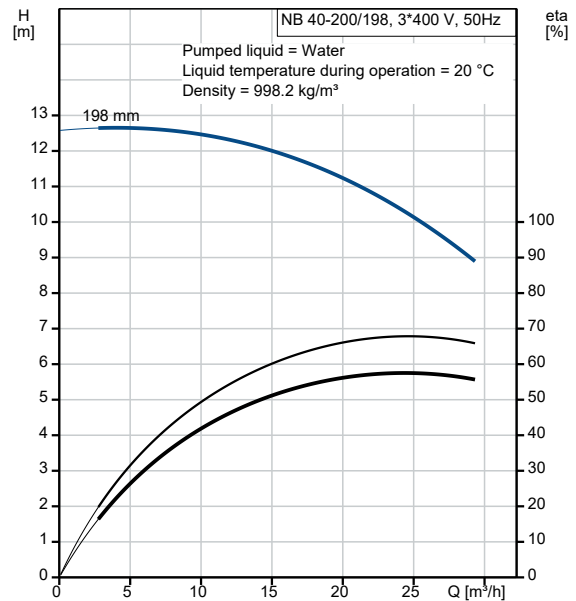
Date:

15/08/2022

98161765 NB 40-200/198 AAF2AESBQQEGW3 50 Hz



Description	Value
General information:	
Product name:	NB 40-200/198 AAF2AESBQQEGW3
Product No:	98161765
EAN number:	5711490676044
Technical:	
Pump speed on which pump data are based:	1440 rpm
Rated flow:	25.32 m ³ /h
Rated head:	9.961 m
Actual impeller diameter:	198 mm
Nominal impeller diameter:	200
Shaft seal arrangement:	Single
Shaft diameter:	24 mm
Code for shaft seal:	BQQE
Curve tolerance:	ISO9906:2012 3B2
Pump version:	A
Bearing design:	Standard
Materials:	
Pump housing:	Cast iron
Pump housing:	EN-GJL-250
Pump housing:	ASTM class 35
Wear ring:	Brass
Impeller:	Cast iron
Impeller:	EN-GJL-200
Impeller:	ASTM class 30
Internal pump house coating:	CED
Material code:	A
Code for rubber:	E
Shaft:	Stainless steel
Shaft:	EN 1.4301
Shaft:	AISI 304
Installation:	
t max amb:	55 °C
Maximum operating pressure:	16 bar
Pipe connection standard:	EN 1092-2
Size of inlet connection:	DN 65
Size of outlet connection:	DN 40
Pressure rating for connection:	PN 16
Bearing lubrication:	Grease
Pump housing with feet:	Yes
Support block (Yes/No):	N
Connect code:	F2
Liquid:	
Pumped liquid:	Water
Liquid temperature range:	-25 .. 120 °C
Selected liquid temperature:	20 °C
Density:	998.2 kg/m ³
Electrical data:	
Motor type:	SIEMENS
IE Efficiency class:	IE3
Rated power - P2:	1.1 kW
Mains frequency:	50 Hz
Rated voltage:	3 x 220-240D/380-420Y V
Rated current:	4.2/2.4 A
Starting current:	690-690 %
Cos phi - power factor:	0.78
Rated speed:	1440 rpm
Efficiency:	IE3 84,1%





Company name: Pump Sales Direct

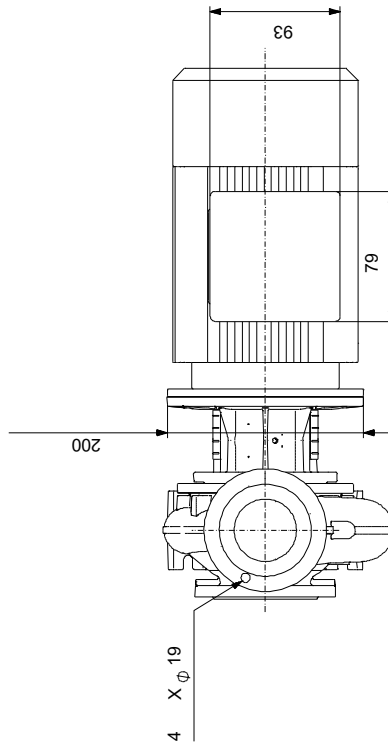
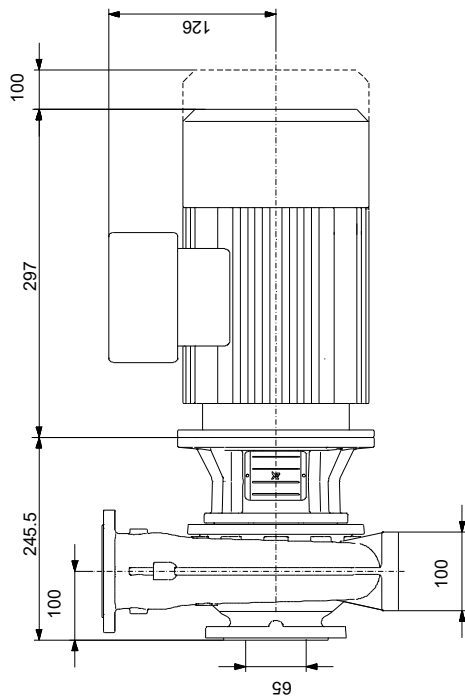
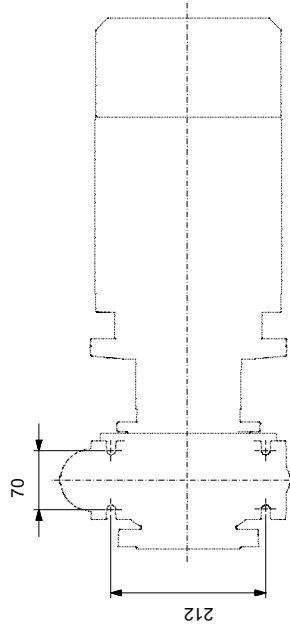
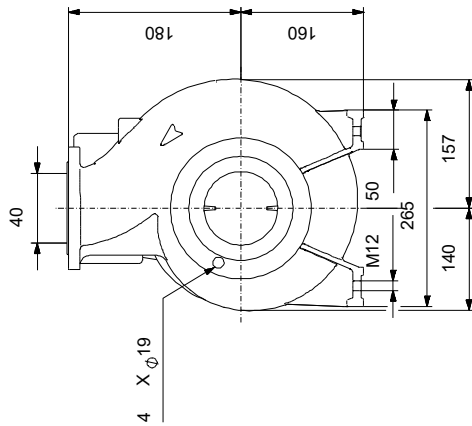
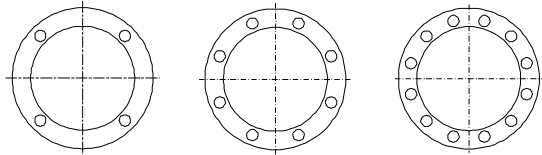
Created by:

Phone:

Date: 15/08/2022

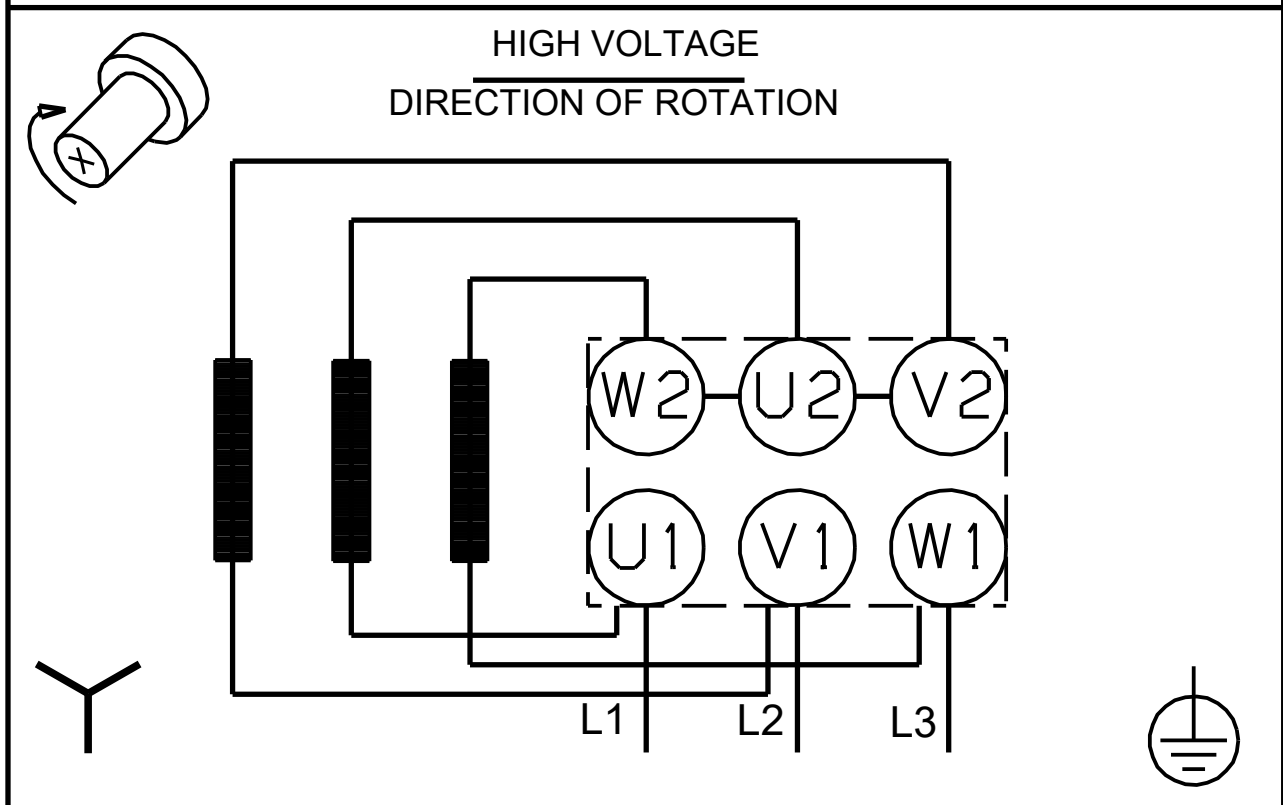
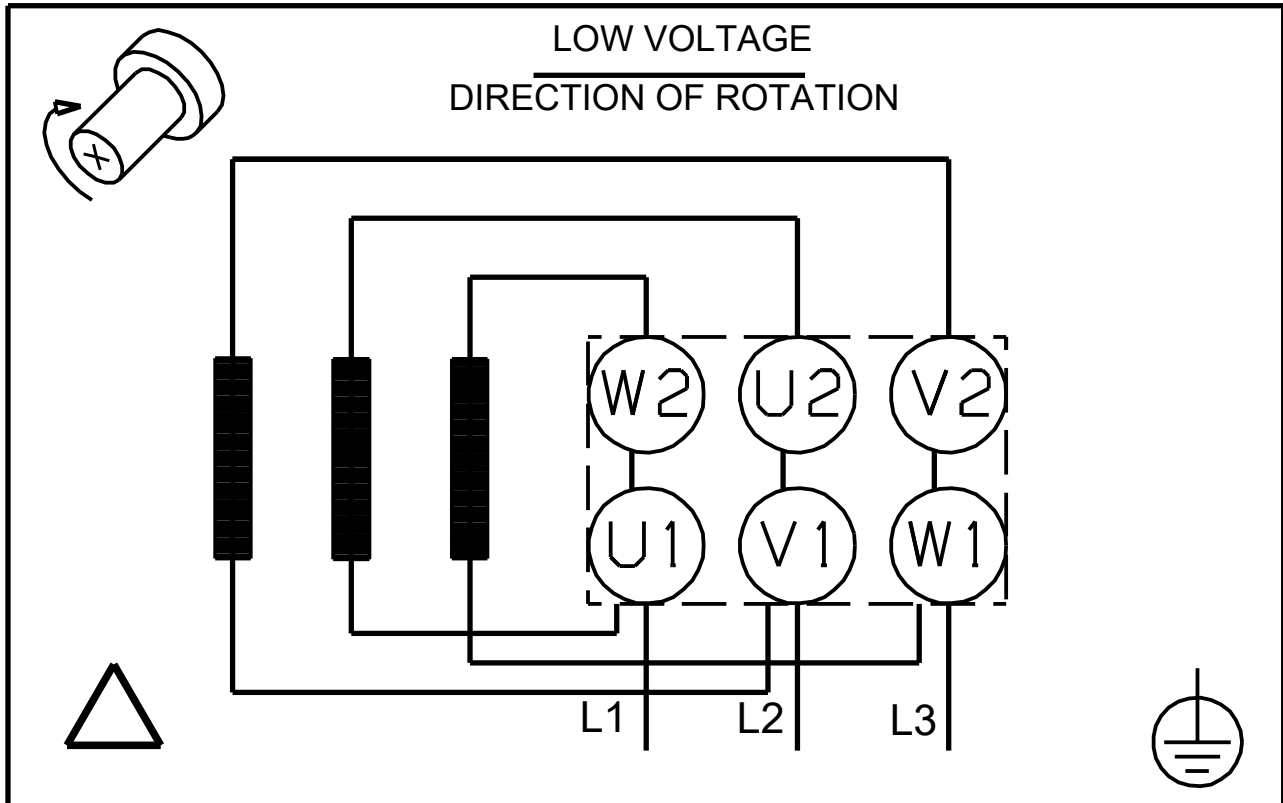
Description	Value
Motor efficiency at full load:	84.1-84.1 %
Motor efficiency at 3/4 load:	84.7-84.7 %
Motor efficiency at 1/2 load:	83.4-83.4 %
Number of poles:	4
Enclosure class (IEC 34-5):	IP55
Insulation class (IEC 85):	F
Built-in motor protection:	NONE
Motor No:	83V02205
Mount. design. acc. IEC 34-7:	IM V1
Bearing insulation type N-end:	N
Controls:	
Frequency converter:	NONE
Pressure sensor:	N
Others:	
Minimum efficiency index, MEI \geq :	0.70
Net weight:	52 kg
Gross weight:	69 kg
Shipping volume:	0.315 m ³
Danish VVS No.:	386061204
Country of origin:	HU
Custom tariff no.:	84137051

98161765 NB 40-200/198 AAF2AESBQQEGW3 50 Hz



Note! All units are in [mm] unless others are stated.
 Disclaimer: This simplified dimensional drawing does not show all details.

98161765 NB 40-200/198 AAF2AESBQQEGW3 50 Hz



Note! All units are in [mm] unless others are stated.



Company name: Pump Sales Direct
Created by:
Phone:

Date: 15/08/2022

Order Data:

Position	Your pos.	Product name	Amount	Product No	Total
		NB 40-200/198	1	98161765	Price on request