

**Qty. Description**

1 TPE 200-130/4 A-F-A-BQQE-NX3



Note! Product picture may differ from actual product

Product No.: [97927474](#)

Single-stage, close-coupled, volute pump with in-line suction and discharge ports of identical diameter.

The pump is of the top-pull-out design, i.e. the power head (motor, pump head and impeller) can be removed for maintenance or service while the pump housing remains in the pipework.

The pump is fitted with an unbalanced rubber bellows seal.

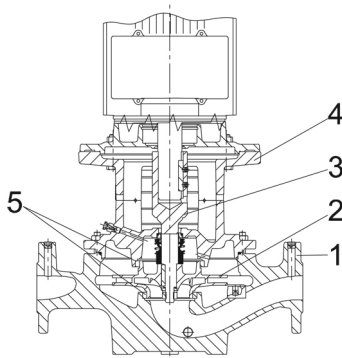
The shaft seal is according to EN 12756. Pipework connection is via PN 16 DIN flanges (EN 1092-2 and ISO 7005-2).

The pump is fitted with a fan-cooled asynchronous motor.

The product's minimum efficiency index (MEI) is greater or equal to 0.70. This is by the Commission Regulation (EU) considered as an indicative benchmark for best-performing water pump available on the market as from 1 January 2013.

Cast-iron parts have an epoxy-based coating made in a cathodic electro-deposition (CED) process. CED is a high-quality dip-painting process where an electrical field around the products ensures deposition of paint particles as a thin, well-controlled layer on the surface.

## Pump



1: Pump housing

2: Impeller

3: Stub shaft

4: Pump head/motor stool

5: Wear rings

The pump housing is provided with a replaceable brass neck ring to reduce the amount of liquid running from the outlet side of the impeller to the inlet side.

The impeller is secured to the shaft with a nut.

The pump is fitted with an unbalanced rubber bellows seal with torque transmission across the spring and around the bellows. Due to the bellows, the seal does not wear the shaft, and the axial movement is not prevented by deposits on the shaft.

Seal faces:

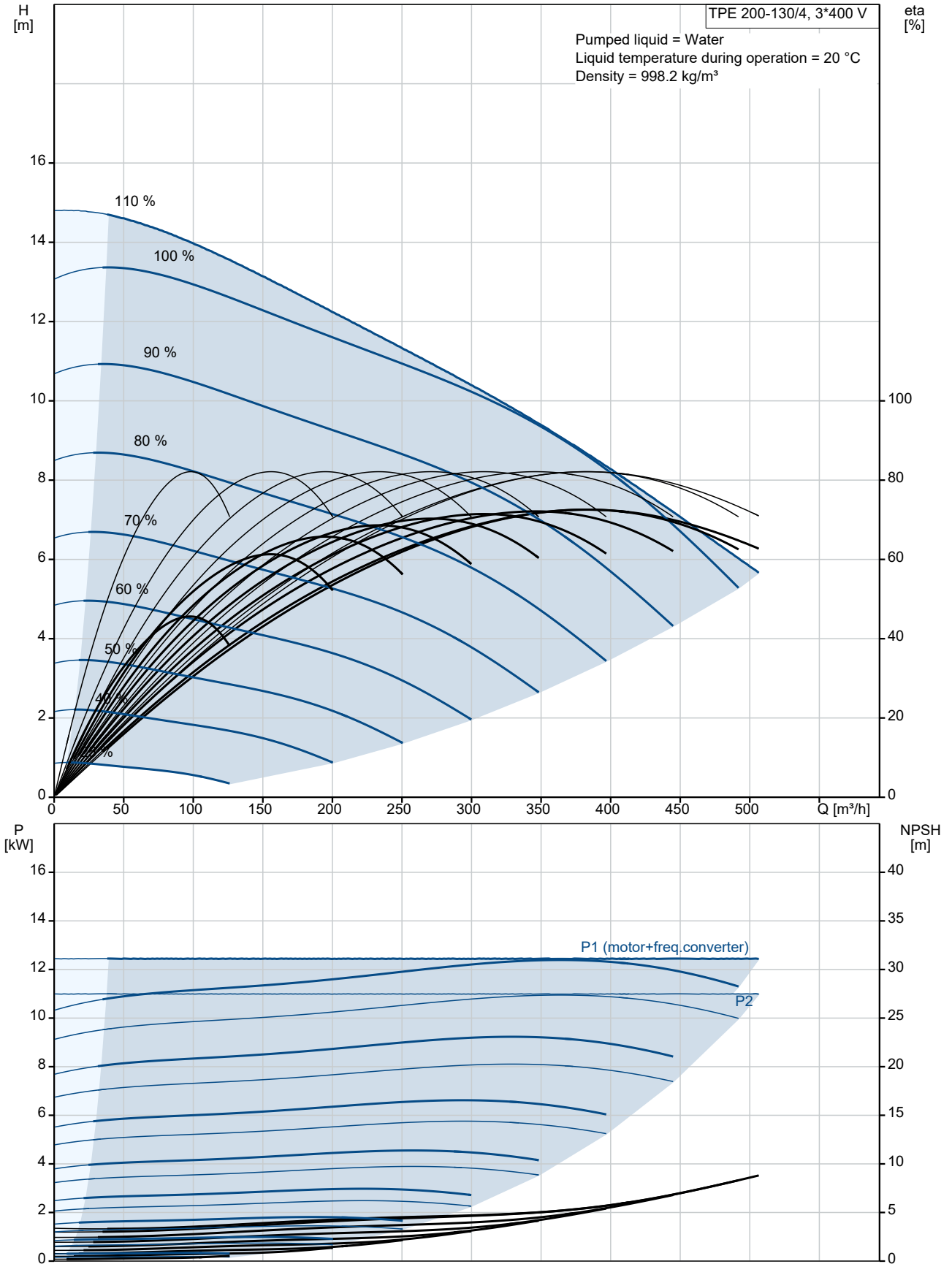
- Rotating seal ring material: silicon carbide (SiC)
- Stationary seat material: silicon carbide (SiC)

This material pairing is used where higher corrosion resistance is required. The high hardness of this material pairing offers good resistance against abrasive particles.

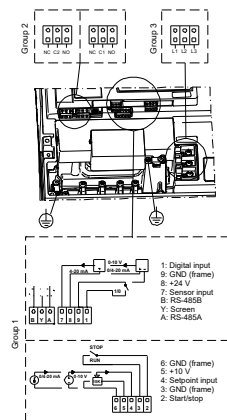
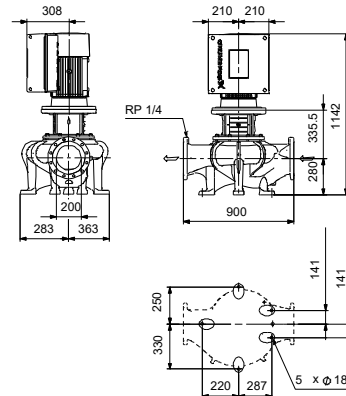
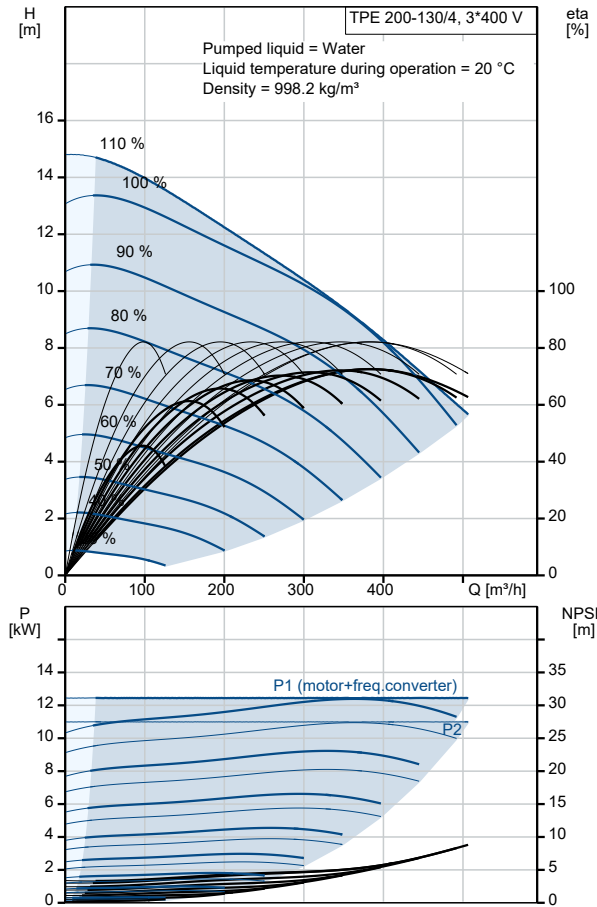
Qty.	Description
	<p>Secondary seal material: EPDM (ethylene-propylene rubber)            EPDM has excellent resistance to hot water. EPDM is not suitable for mineral oils.            A circulation of liquid through the duct of the air vent screw ensures lubrication and cooling of the shaft seal.            The flanges have tappings for mounting of pressure gauges.            The motor stool forms connection between the pump housing and the motor, and is equipped with a manual air vent screw for venting of the pump housing and the shaft seal chamber. The sealing between motor stool and pump housing is an O-ring.            The central part of the motor stool is provided with guards for protection against the shaft and coupling. The pump shaft is fastened directly on the motor shaft with key and set screws.</p> <p><b>Motor</b>            The motor is a totally enclosed, fan-cooled motor with principal dimensions to IEC and DIN standards. Electrical tolerances comply with IEC 60034.            The motor efficiency is classified as IE3 in accordance with IEC 60034-30-1.            The motor requires no external motor protection. The motor control unit incorporates protection against slow- and quick-rising temperatures, e.g. constant overload and stalled conditions.</p> <p><b>Further product details</b>            Cast-iron parts have an epoxy-based coating made in a cathodic electro-deposition (CED) process. CED is a high-quality dip-painting process where an electrical field around the products ensures deposition of paint particles as a thin, well-controlled layer on the surface.</p> <p><b>Technical data</b></p> <p>Controls:            Frequency converter: Built-in</p> <p>Liquid:            Pumped liquid: Water            Liquid temperature range: -25 .. 120 °C            Selected liquid temperature: 20 °C            Density: 998.2 kg/m<sup>3</sup></p> <p>Technical:            Pump speed on which pump data are based: 1470 rpm            Rated flow: 378 m<sup>3</sup>/h            Rated head: 9 m            Actual impeller diameter: 218-210 mm            Code for shaft seal: BQQE            Curve tolerance: ISO9906:2012 3B</p> <p>Materials:            Pump housing: Cast iron                              EN-GJL-250                              ASTM class 35            Impeller: Cast iron                              EN-GJL-200                              ASTM class 30</p> <p>Installation:            Range of ambient temperature: -20 .. 40 °C            Maximum operating pressure: 16 bar            Max pressure at stated temp: 16 bar / 120 °C            Type of connection: DIN            Size of connection: DN 200            Pressure rating for connection: PN 16            Port-to-port length: 900 mm            Flange size for motor: FF300</p>

Qty.	Description
	<p>Electrical data:</p> <p>Motor type: 160MB</p> <p>IE Efficiency class: IE3</p> <p>Rated power - P2: 11 kW</p> <p>Mains frequency: 50 Hz</p> <p>Rated voltage: 3 x 380-480 V</p> <p>Rated current: 22.0-17.8 A</p> <p>Cos phi - power factor: 0.86-0.81</p> <p>Rated speed: 240-1750 rpm</p> <p>Efficiency: IE3 91,4%</p> <p>Motor efficiency at full load: 91.4 %</p> <p>Number of poles: 4</p> <p>Enclosure class (IEC 34-5): IP55</p> <p>Insulation class (IEC 85): F</p> <p>Motor No: 86906100</p> <p>Others:</p> <p>Minimum efficiency index, MEI <math>\geq</math>: 0.70</p> <p>Net weight: 353 kg</p> <p>Gross weight: 449 kg</p> <p>Shipping volume: 1.68 m<sup>3</sup></p> <p>Danish VVS No.: 382039130</p> <p>Finnish LVI No.: 4616522</p> <p>Country of origin: HU</p> <p>Custom tariff no.: 84137051</p>

## 97927474 TPE 200-130/4 A-F-A-BQQE-NX3 50 Hz



Description	Value
<b>General information:</b>	
Product name:	TPE 200-130/4 A-F-A-BQQE-NX3
Product No:	97927474
EAN number:	5710626550128
<b>Technical:</b>	
Pump speed on which pump data are based:	1470 rpm
Rated flow:	378 m³/h
Rated head:	9 m
Maximum head:	130 dm
Actual impeller diameter:	218-210 mm
Code for shaft seal:	BQQE
Curve tolerance:	ISO9906:2012 3B
Pump version:	A
<b>Materials:</b>	
Pump housing:	Cast iron
Pump housing:	EN-GJL-250
Pump housing:	ASTM class 35
Impeller:	Cast iron
Impeller:	EN-GJL-200
Impeller:	ASTM class 30
Material code:	A
<b>Installation:</b>	
Range of ambient temperature:	-20 .. 40 °C
Maximum operating pressure:	16 bar
Max pressure at stated temp:	16 bar / 120 °C
Type of connection:	DIN
Size of connection:	DN 200
Pressure rating for connection:	PN 16
Port-to-port length:	900 mm
Flange size for motor:	FF300
Connect code:	F
<b>Liquid:</b>	
Pumped liquid:	Water
Liquid temperature range:	-25 .. 120 °C
Selected liquid temperature:	20 °C
Density:	998.2 kg/m³
<b>Electrical data:</b>	
Motor type:	160MB
IE Efficiency class:	IE3
Rated power - P2:	11 kW
Mains frequency:	50 Hz
Rated voltage:	3 x 380-480 V
Rated current:	22.0-17.8 A
Cos phi - power factor:	0.86-0.81
Rated speed:	240-1750 rpm
Efficiency:	IE3 91,4%
Motor efficiency at full load:	91.4 %
Number of poles:	4
Enclosure class (IEC 34-5):	IP55
Insulation class (IEC 85):	F
Built-in motor protection:	YES
Motor No:	86906100
<b>Controls:</b>	
Control panel:	Standard
Function Module:	PUMP I/O
Frequency converter:	Built-in
<b>Others:</b>	





Company name:

Created by:

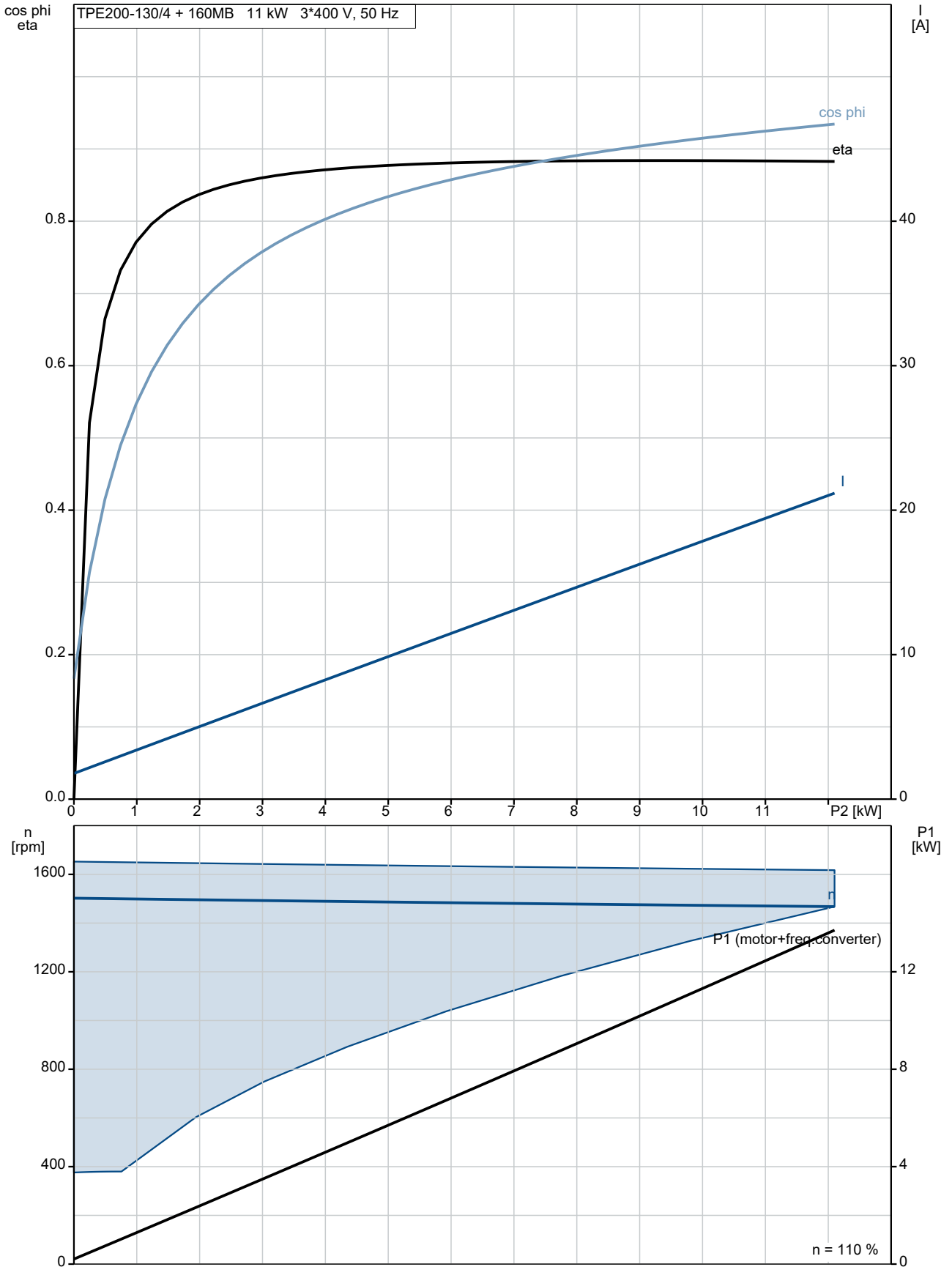
Phone:

Date:

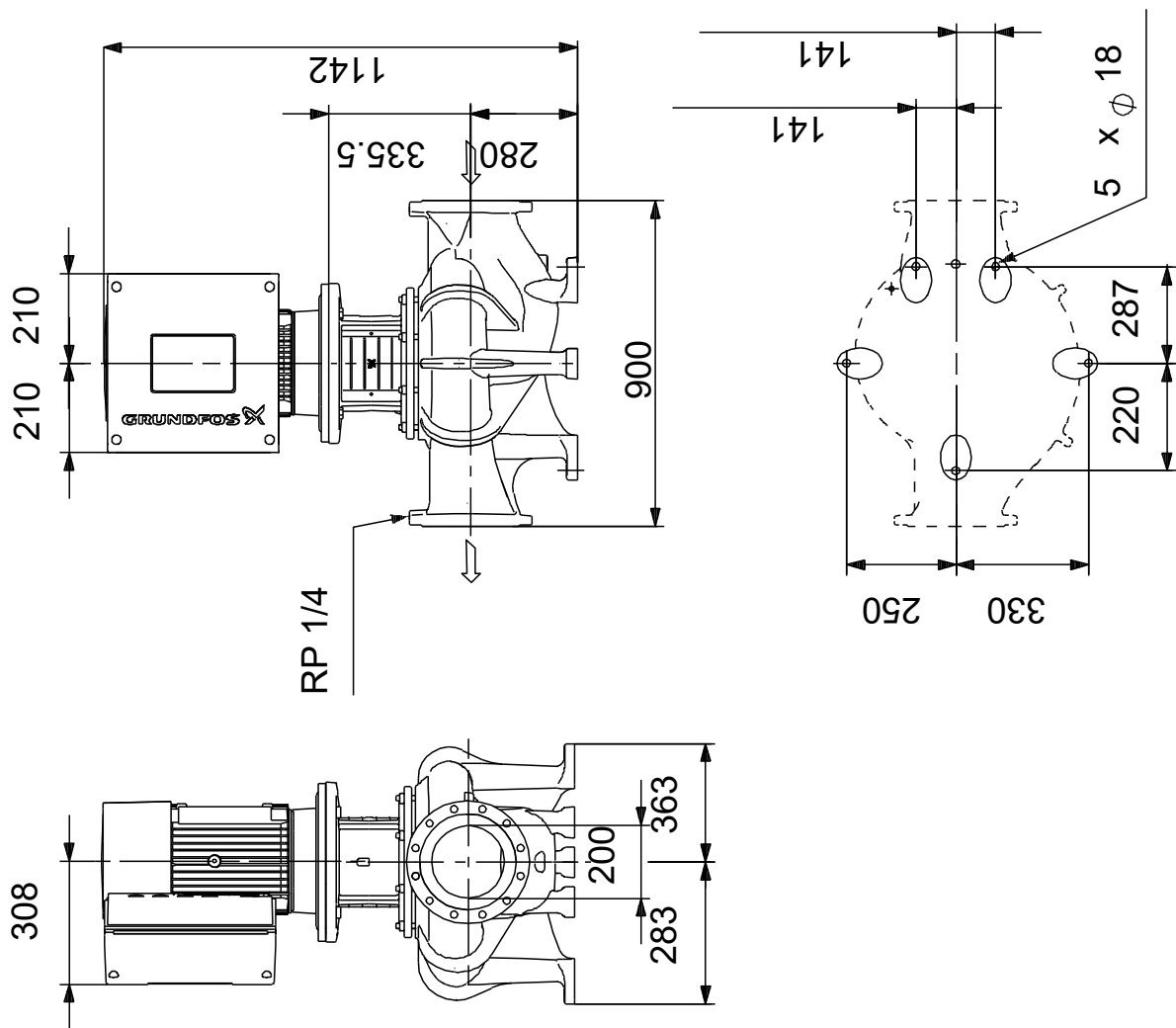
16/06/2022

Description	Value
Minimum efficiency index, MEI ≥:	0.70
Net weight:	353 kg
Gross weight:	449 kg
Shipping volume:	1.68 m <sup>3</sup>
Config. file no:	95139409
Danish VVS No.:	382039130
Finnish LVI No.:	4616522
Country of origin:	HU
Custom tariff no.:	84137051

## 97927474 TPE 200-130/4 A-F-A-BQQE-NX3 50 Hz



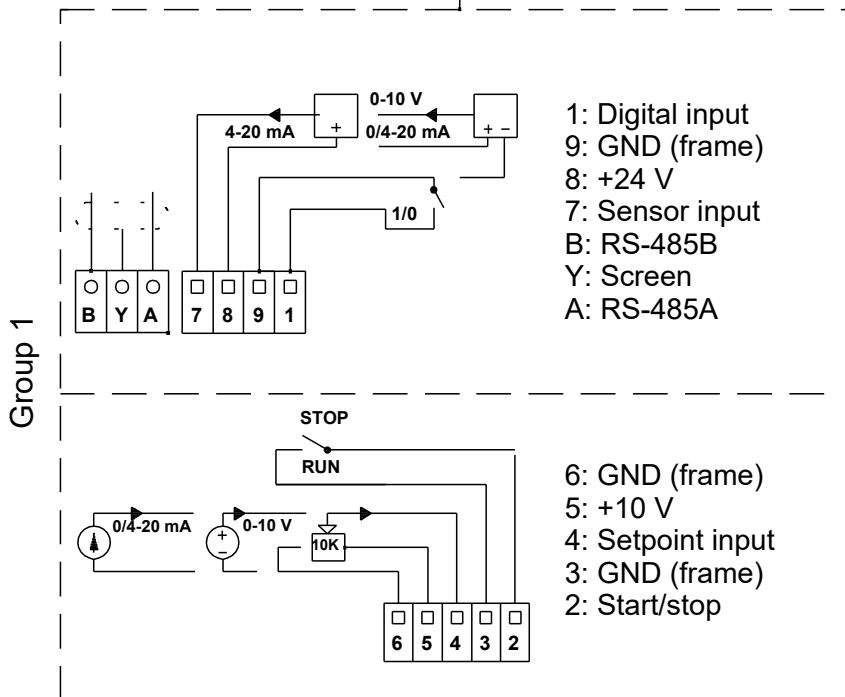
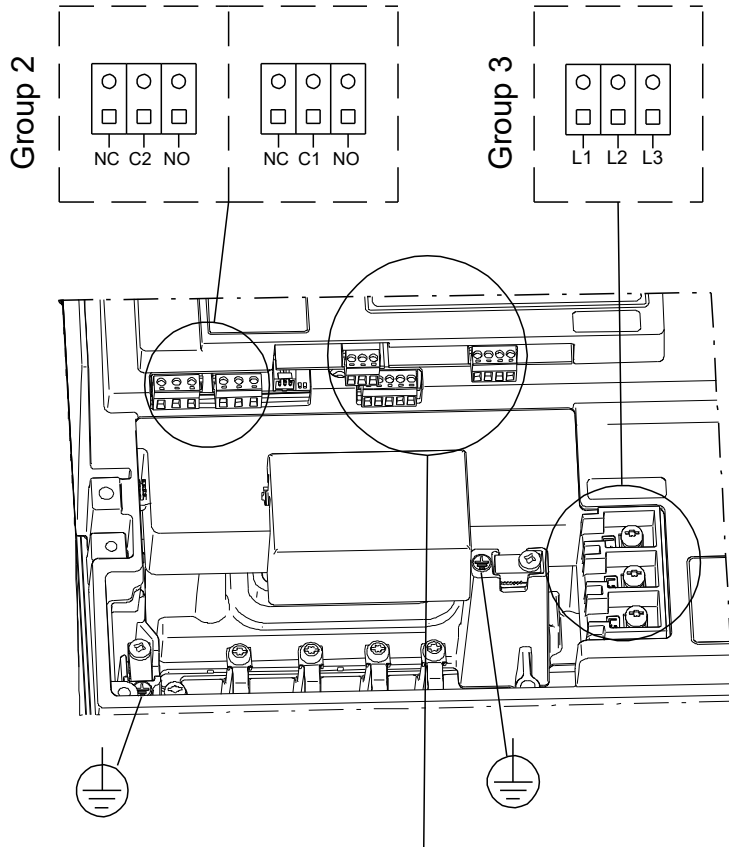
## 97927474 TPE 200-130/4 A-F-A-BQQE-NX3 50 Hz



Note! All units are in [mm] unless others are stated.  
Disclaimer: This simplified dimensional drawing does not show all details.



## 97927474 TPE 200-130/4 A-F-A-BQQE-NX3 50 Hz



Note! All units are in [mm] unless others are stated.



Company name:

Created by:

Phone:

Date:

16/06/2022

---

**Order Data:**

Product name: TPE 200-130/4

Amount: 1

Product No: 97927474

Total: Price on request

---