
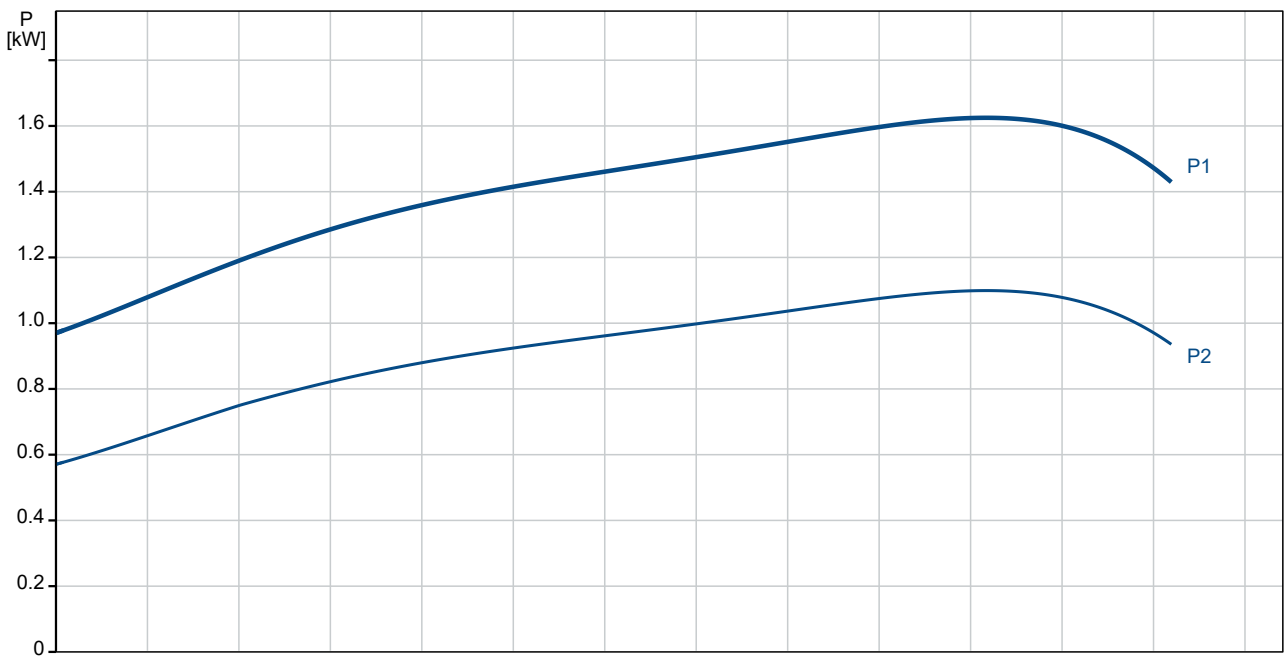
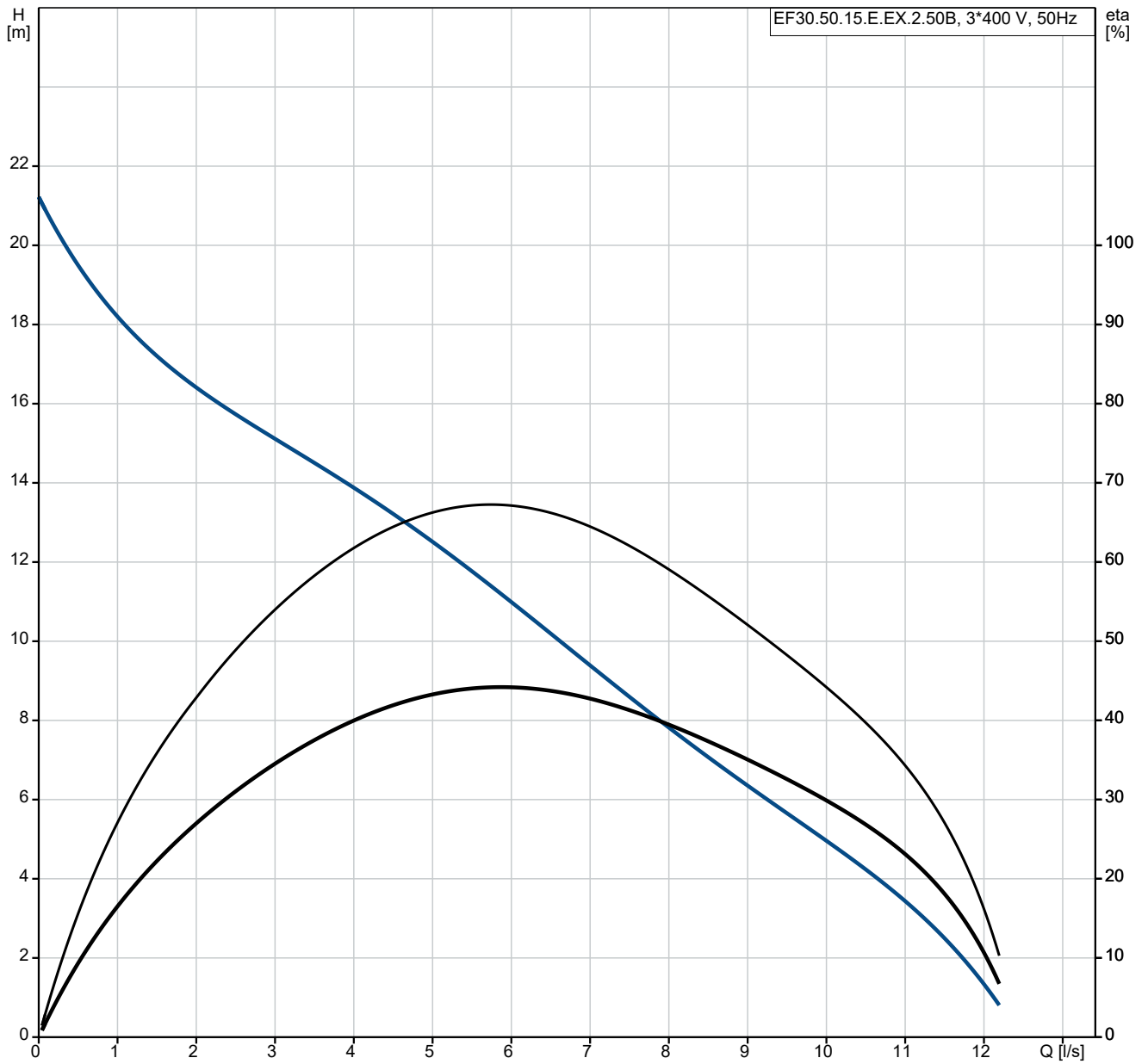


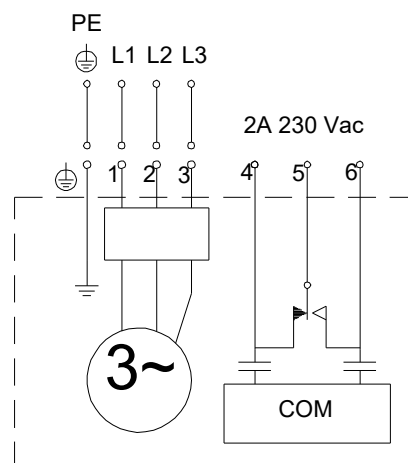
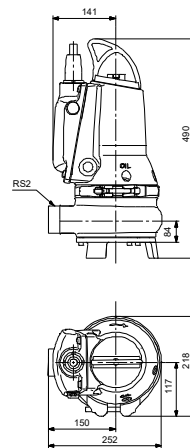
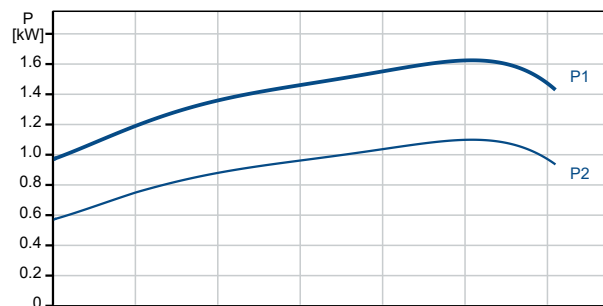
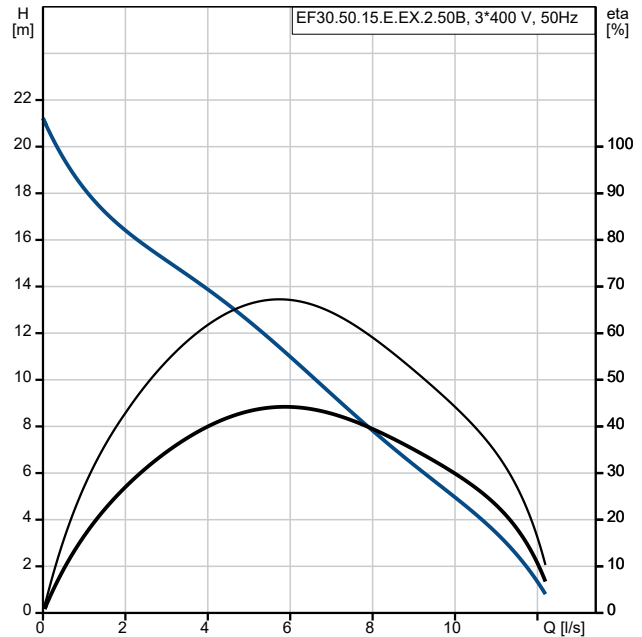
Qty.	Description								
1	<p data-bbox="199 159 462 188">EF30.50.15.E.EX.2.50B</p>  <p data-bbox="592 506 1064 530" style="text-align: center;">Note! Product picture may differ from actual product</p> <p data-bbox="199 539 464 564">Product No.: 96878449</p> <p data-bbox="199 598 1289 624">GRUNDFOS EF AUTOADAPT pump is a portable pump for both domestic and industrial applications.</p> <p data-bbox="199 656 1283 683">The pump has a single-vane, semi-open impeller for 30 mm free passage and is suitable for pumping</p> <ul data-bbox="199 687 954 804" style="list-style-type: none"> • drainage and surface water with small impurities • wastewater with fibres, e.g. from laundries • wastewater without discharge from toilets • wastewater from commercial buildings without discharge from toilets. <p data-bbox="199 835 1197 862">The compact design makes the pump suitable for both temporary and permanent installation.</p> <p data-bbox="199 925 1035 952">The pump has an intermediate oil chamber pre-filled with non-toxic special oil.</p> <p data-bbox="199 983 1377 1034">The pump is fitted with a cable plug for easy dismantling. This plug is hermetically sealed with polyurethane to prevent water from penetrating through the cable into the motor.</p> <p data-bbox="199 1070 1401 1122">A clamp between pump housing and motor ensures easy and safe dismantling and assembly. Inspection can be done in the field without any special tools.</p> <p data-bbox="199 1158 1457 1209">The pump is fitted with a double shaft seal in the unique cartridge design. This makes it easy to replace the shaft seal very quickly in the field without any special tools. It also eliminates the risk of faulty installation.</p> <p data-bbox="199 1245 1187 1272">The motor is insulation class F and has long-life, deep-groove, greased-for-life ball bearings.</p> <p data-bbox="199 1308 1415 1335">The pump has R 2 discharge port and is ready for installation either free-standing or on an auto-coupling system.</p> <p data-bbox="199 1366 1445 1417">The Grundfos EF AUTOADAPT pumps incorporate a controller, sensors and motor-protection. They only need to be connected to the mains supply.</p> <p data-bbox="199 1424 1445 1476">If several pumps are installed in the same tank, the control logic incorporated in the pump will ensure that the load is distributed evenly among the pumps over time.</p> <ul data-bbox="199 1482 422 1509" style="list-style-type: none"> • Alarm relay output. <p data-bbox="199 1514 1185 1565">The pump incorporates an alarm relay output. NC and NO are available and can be used as required, for example for acoustic or visual alarms.</p> <ul data-bbox="199 1572 893 1688" style="list-style-type: none"> • Random start delay in case of general power shutdown. • The pump does not start unless the phase sequence is correct. • Self-calibration after each pump cycle. • Anti-seizing system. <p data-bbox="199 1691 1445 1742">The anti-seizing system start the pump at programmed intervals to prevent the impeller from seizing. This function is valid as long as the dryrun sensors are submerged in the media for the Ex versions.</p> <p data-bbox="199 1778 1423 1830">The Grundfos CIU unit can be connected permanent or temporarily for changing the pre-setting, further settings or read out from the logging and operation parameters like no. of starts and operating hours.</p> <p data-bbox="199 1895 301 1921">Controls:</p> <table data-bbox="199 1924 847 2011"> <tr> <td>Moisture sensor:</td> <td>without moisture sensors</td> </tr> <tr> <td>Water-in-oil sensor:</td> <td>without water-in-oil sensor</td> </tr> <tr> <td>AUTOADAPT with/without (Yes/No):</td> <td>YES</td> </tr> </table> <p data-bbox="199 2042 276 2069">Liquid:</p> <table data-bbox="199 2072 670 2098"> <tr> <td>Liquid temperature range:</td> <td>0 .. 40 °C</td> </tr> </table>	Moisture sensor:	without moisture sensors	Water-in-oil sensor:	without water-in-oil sensor	AUTOADAPT with/without (Yes/No):	YES	Liquid temperature range:	0 .. 40 °C
Moisture sensor:	without moisture sensors								
Water-in-oil sensor:	without water-in-oil sensor								
AUTOADAPT with/without (Yes/No):	YES								
Liquid temperature range:	0 .. 40 °C								

Qty.	Description
1	<p>Density: 998.2 kg/m³</p> <p>Technical:</p> <p>Max flow: 12.9 l/s</p> <p>Type of impeller: SEMI OPEN</p> <p>Maximum particle size: 30 mm</p> <p>Primary shaft seal: SIC/SIC</p> <p>Max. hydraulic efficiency: 64 %</p> <p>Curve tolerance: ISO9906:2012 3B2</p> <p>Materials:</p> <p>Pump housing: Cast iron EN-JL-1030</p> <p>Impeller: Cast iron EN-GJS-500-7</p> <p>Installation:</p> <p>t max amb: 40 °C</p> <p>Maximum operating pressure: 6 bar</p> <p>Pump outlet: R 2</p> <p>Maximum installation depth: 10 m</p> <p>Auto-coupling: Y</p> <p>Electrical data:</p> <p>Power input - P1: 2.2 kW</p> <p>Rated power - P2: 1.5 kW</p> <p>Mains frequency: 50 Hz</p> <p>Rated voltage: 3 x 400-415 V</p> <p>Voltage tolerance: +6/-10 %</p> <p>Max starts per. hour: 30</p> <p>Rated current: 3.8/3.8 A</p> <p>Rated current at 3/4 load: 3 A</p> <p>Rated current at 1/2 load: 2.4 A</p> <p>Starting current: 21 A</p> <p>Rated current at no load: 1.9 A</p> <p>Cos phi - power factor: 0.88</p> <p>Cos phi - p.f. at 3/4 load: 0.81</p> <p>Cos phi - p.f. at 1/2 load: 0.71</p> <p>Rated speed: 2720 rpm</p> <p>Locked-rotor torque: 11 Nm</p> <p>Breakdown torque: 12 Nm</p> <p>Moment of inertia: 0.0039 kg m²</p> <p>Motor efficiency at full load: 67 %</p> <p>Motor efficiency at 3/4 load: 68 %</p> <p>Motor efficiency at 1/2 load: 63 %</p> <p>Number of poles: 2</p> <p>Start. method: direct-on-line</p> <p>Enclosure class (IEC 34-5): IP68</p> <p>Insulation class (IEC 85): F</p> <p>Explosion proof: yes</p> <p>Length of cable: 10 m</p> <p>Cable type: LYNIFLEX</p> <p>Type of cable plug: No plug</p> <p>Others:</p> <p>Net weight: 38 kg</p> <p>Danish VVS No.: 391293682</p> <p>Country of origin: HU</p> <p>Custom tariff no.: 84137021</p>

96878449 EF30.50.15.E.EX.2.50B 50 Hz

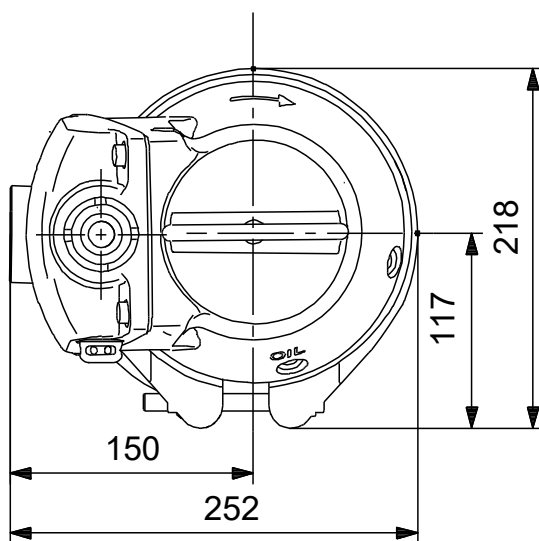
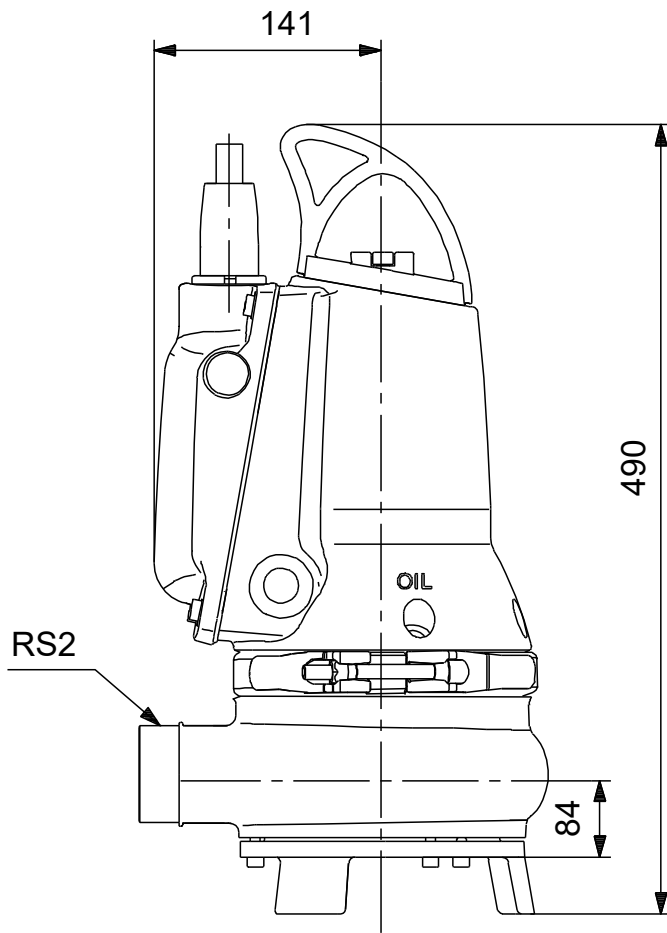


Description	Value
General information:	
Product name:	EF30.50.15.E.EX.2.50B
Product No:	96878449
EAN number:	5700312550273
Technical:	
Max flow:	12.9 l/s
Head max:	22.5 m
Type of impeller:	SEMI OPEN
Maximum particle size:	30 mm
Primary shaft seal:	SIC/SIC
Max. hydraulic efficiency:	64 %
Curve tolerance:	ISO9906:2012 3B2
Materials:	
Pump housing:	Cast iron
Pump housing:	EN-JL-1030
Impeller:	Cast iron
Impeller:	EN-GJS-500-7
Installation:	
t max amb:	40 °C
Maximum operating pressure:	6 bar
Pump outlet:	R 2
Maximum installation depth:	10 m
Inst dry/wet:	S
Installation:	vertical
Auto-coupling:	Y
Liquid:	
Liquid temperature range:	0 .. 40 °C
Density:	998.2 kg/m ³
Electrical data:	
Power input - P1:	2.2 kW
Rated power - P2:	1.5 kW
Mains frequency:	50 Hz
Rated voltage:	3 x 400-415 V
Voltage tolerance:	+6/-10 %
Max starts per. hour:	30
Rated current:	3.8/3.8 A
Rated current at 3/4 load:	3 A
Rated current at 1/2 load:	2.4 A
Starting current:	21 A
Rated current at no load:	1.9 A
Cos phi - power factor:	0.88
Cos phi - p.f. at 3/4 load:	0.81
Cos phi - p.f. at 1/2 load:	0.71
Rated speed:	2720 rpm
Locked-rotor torque:	11 Nm
Breakdown torque:	12 Nm
Moment of inertia:	0.0039 kg m ²
Motor efficiency at full load:	67 %
Motor efficiency at 3/4 load:	68 %
Motor efficiency at 1/2 load:	63 %
Number of poles:	2
Start. method:	direct-on-line
Enclosure class (IEC 34-5):	IP68
Insulation class (IEC 85):	F
Explosion proof:	yes
Built-in motor protection:	THERMAL SWITCH
Length of cable:	10 m
Cable type:	LYNIFLEX
Type of cable plug:	No plug
Controls:	
Control box:	not included
Additional I/O:	Build in
Moisture sensor:	without moisture sensors
Water-in-oil sensor:	without water-in-oil sensor



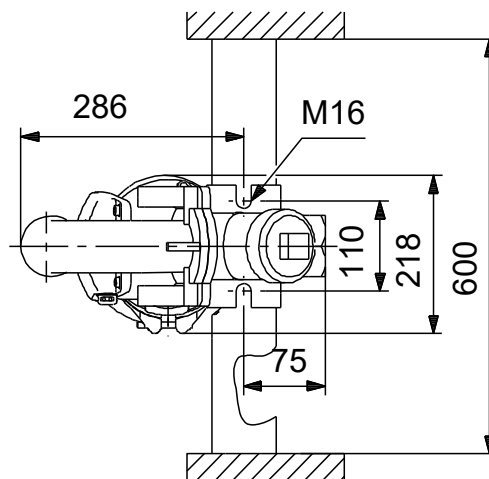
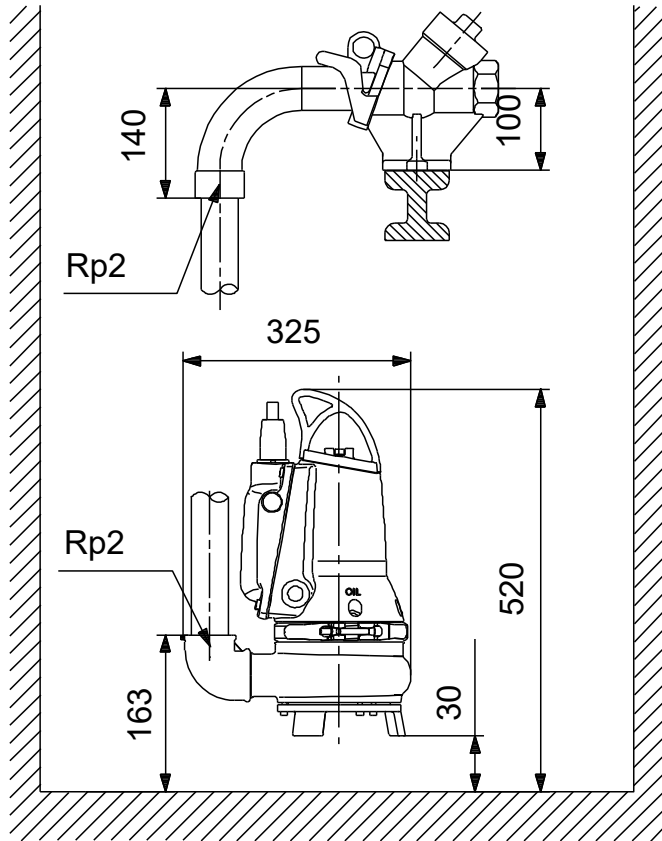
Description	Value
AUTOADAPT with/without (Yes/No):	YES
Others:	
Net weight:	38 kg
Danish VVS No.:	391293682
Country of origin:	HU
Custom tariff no.:	84137021

96878449 EF30.50.15.E.EX.2.50B 50 Hz



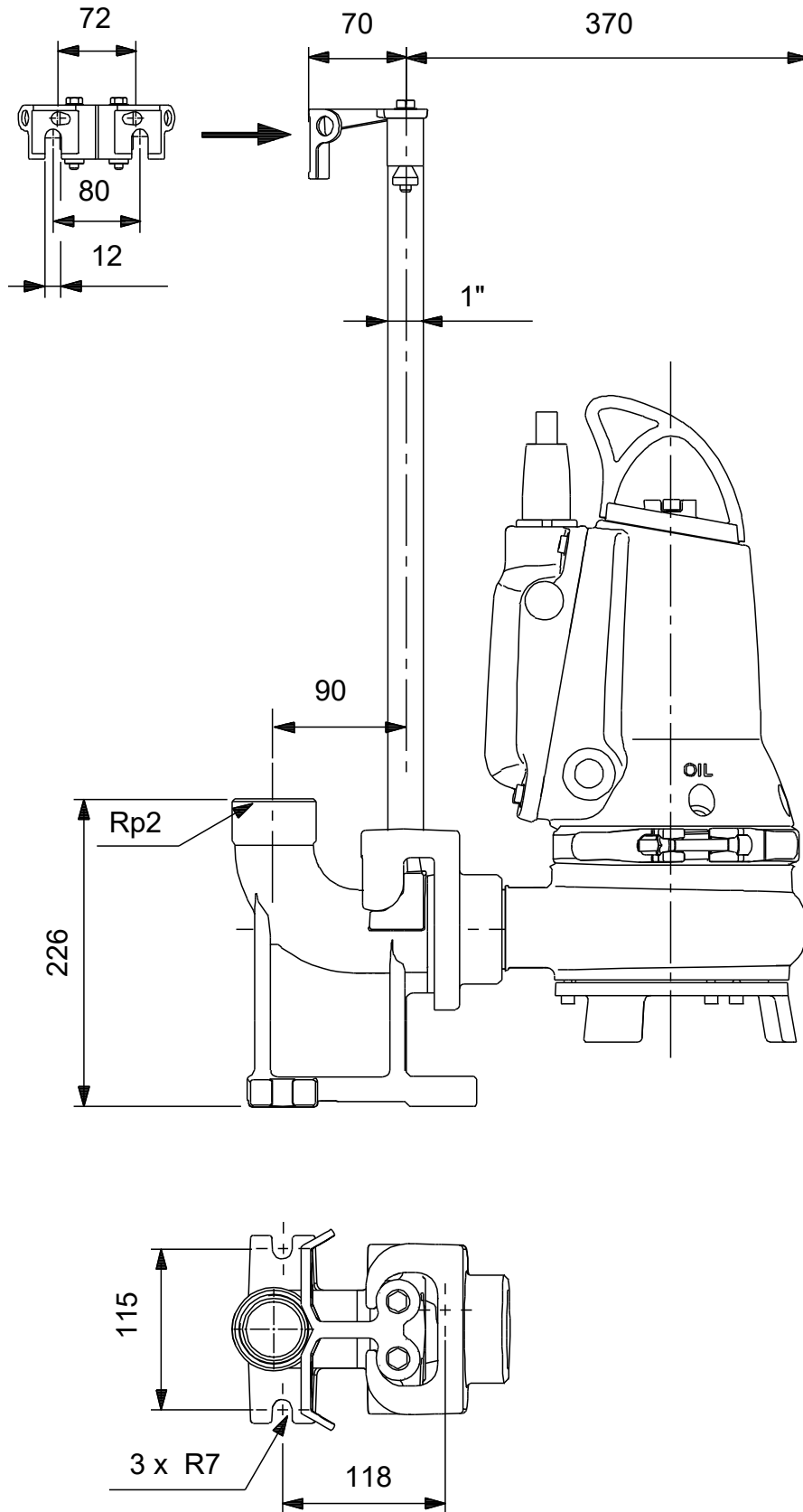
Note! All units are in [mm] unless others are stated.
Disclaimer: This simplified dimensional drawing does not show all details.

96878449 EF30.50.15.E.EX.2.50B 50 Hz

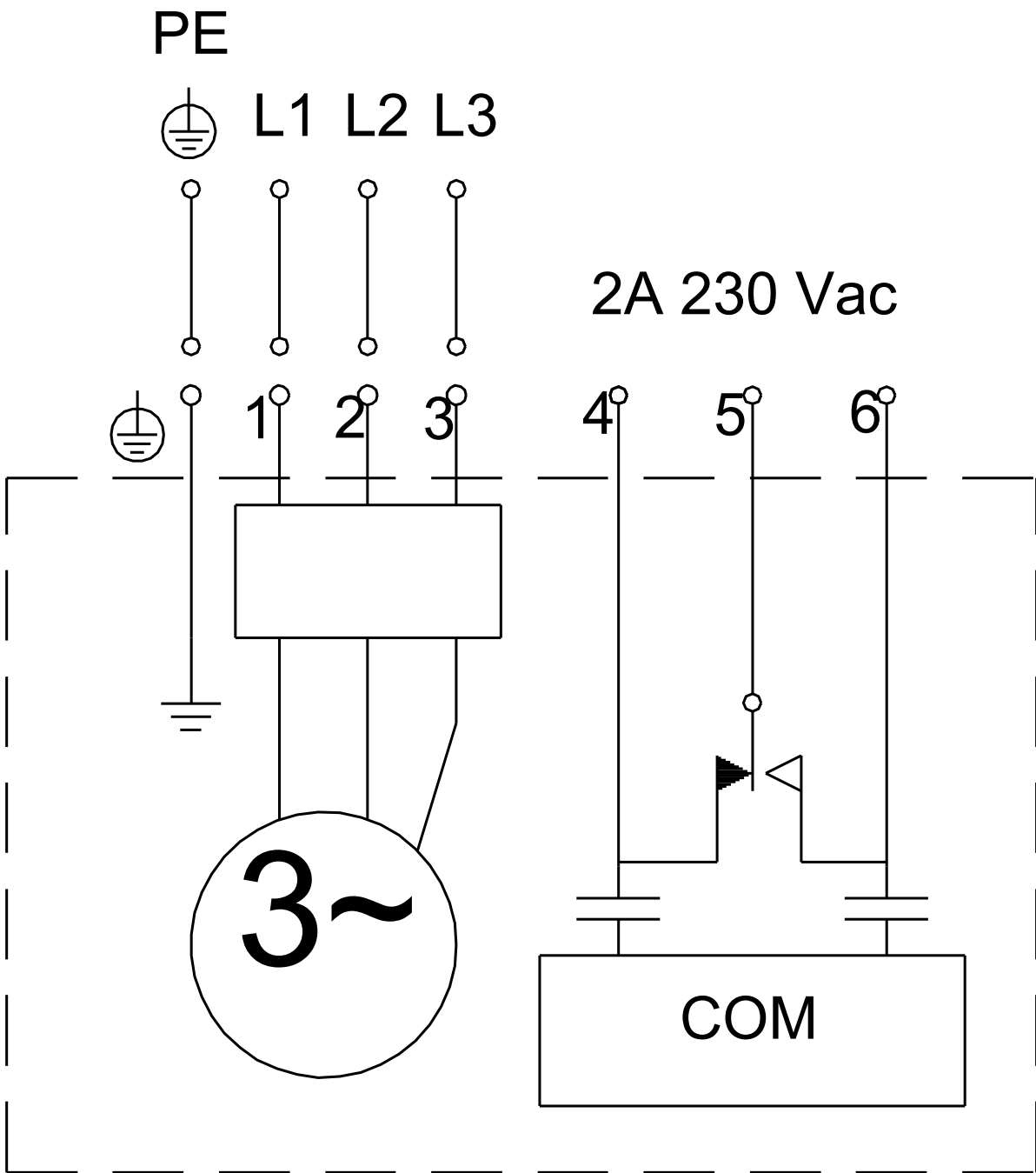


Note! All units are in [mm] unless others are stated.
Disclaimer: This simplified dimensional drawing does not show all details.

96878449 EF30.50.15.E.EX.2.50B 50 Hz



Note! All units are in [mm] unless others are stated.
Disclaimer: This simplified dimensional drawing does not show all details.



Note! All units are in [mm] unless others are stated.

