

Qty. Description

1 **EF30.50.11.E.EX.2.1.502**



Note! Product picture may differ from actual product

Product No.: [96878446](#)

GRUNDFOS EF AUTOADAPT pump is a portable pump for both domestic and industrial applications.

The pump has a single-vane, semi-open impeller for 30 mm free passage and is suitable for pumping

- drainage and surface water with small impurities
- wastewater with fibres, e.g. from laundries
- wastewater without discharge from toilets
- wastewater from commercial buildings without discharge from toilets.

The compact design makes the pump suitable for both temporary and permanent installation.

The pump has an intermediate oil chamber pre-filled with non-toxic special oil.

The pump is fitted with a cable plug for easy dismantling. This plug is hermetically sealed with polyurethane to prevent water from penetrating through the cable into the motor.

A clamp between pump housing and motor ensures easy and safe dismantling and assembly. Inspection can be done in the field without any special tools.

The pump is fitted with a double shaft seal in the unique cartridge design. This makes it easy to replace the shaft seal very quickly in the field without any special tools. It also eliminates the risk of faulty installation.

The motor is insulation class F and has long-life, deep-groove, greased-for-life ball bearings.

The pump has R 2 discharge port and is ready for installation either free-standing or on an auto-coupling system.

The Grundfos EF AUTOADAPT pumps incorporate a controller, sensors and motor-protection. They only need to be connected to the mains supply.

If several pumps are installed in the same tank, the control logic incorporated in the pump will ensure that the load is distributed evenly among the pumps over time.

- Alarm relay output.

The pump incorporates an alarm relay output. NC and NO are available and can be used as required, for example for acoustic or visual alarms.

- Random start delay in case of general power shutdown.
- Self-calibration after each pump cycle.
- Anti-seizing system.

The anti-seizing system start the pump at programmed intervals to prevent the impeller from seizing. This function is valid as long as the dryrun sensors are submerged in the media for the Ex versions.

The Grundfos CIU unit can be connected permanent or temporarily for changing the pre-setting, further settings or read out from the logging and operation parameters like no. of starts and operating hours.

Another innovative patent in our AUTOADAPT pumps is a new way of controlling the motor current during start up. The result of this bring us a much higher starting torque for the 1-phase motors than a conventional motor starter using start capacitor.

Controls:

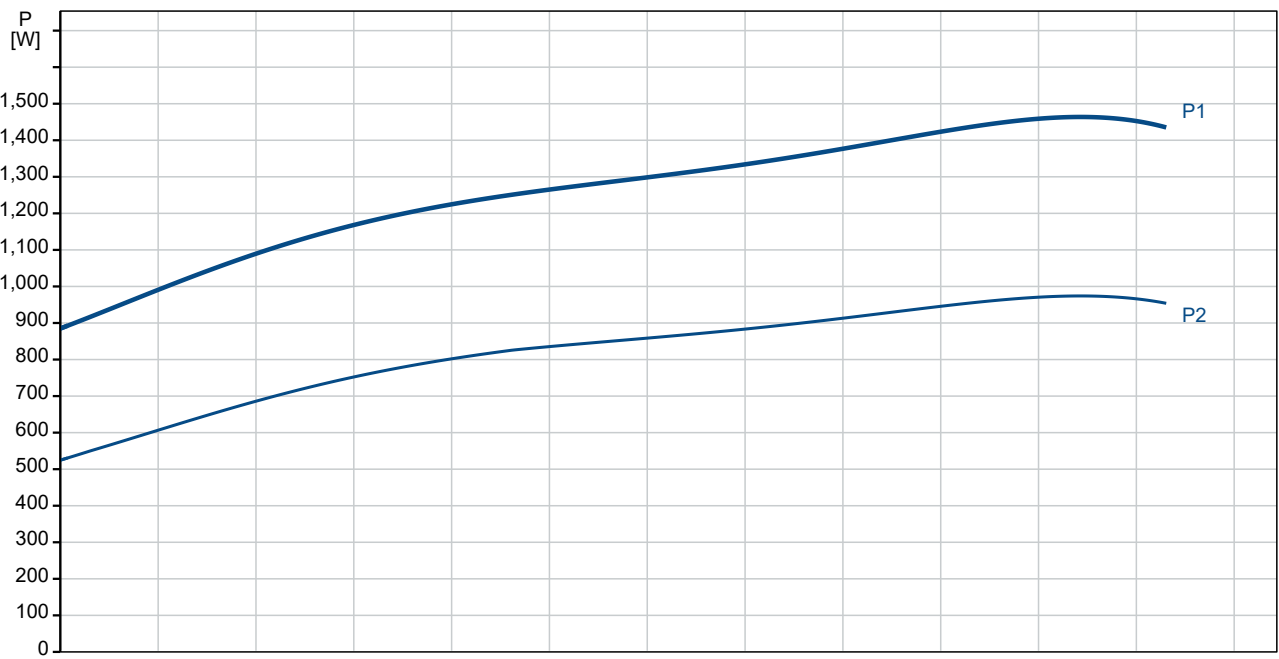
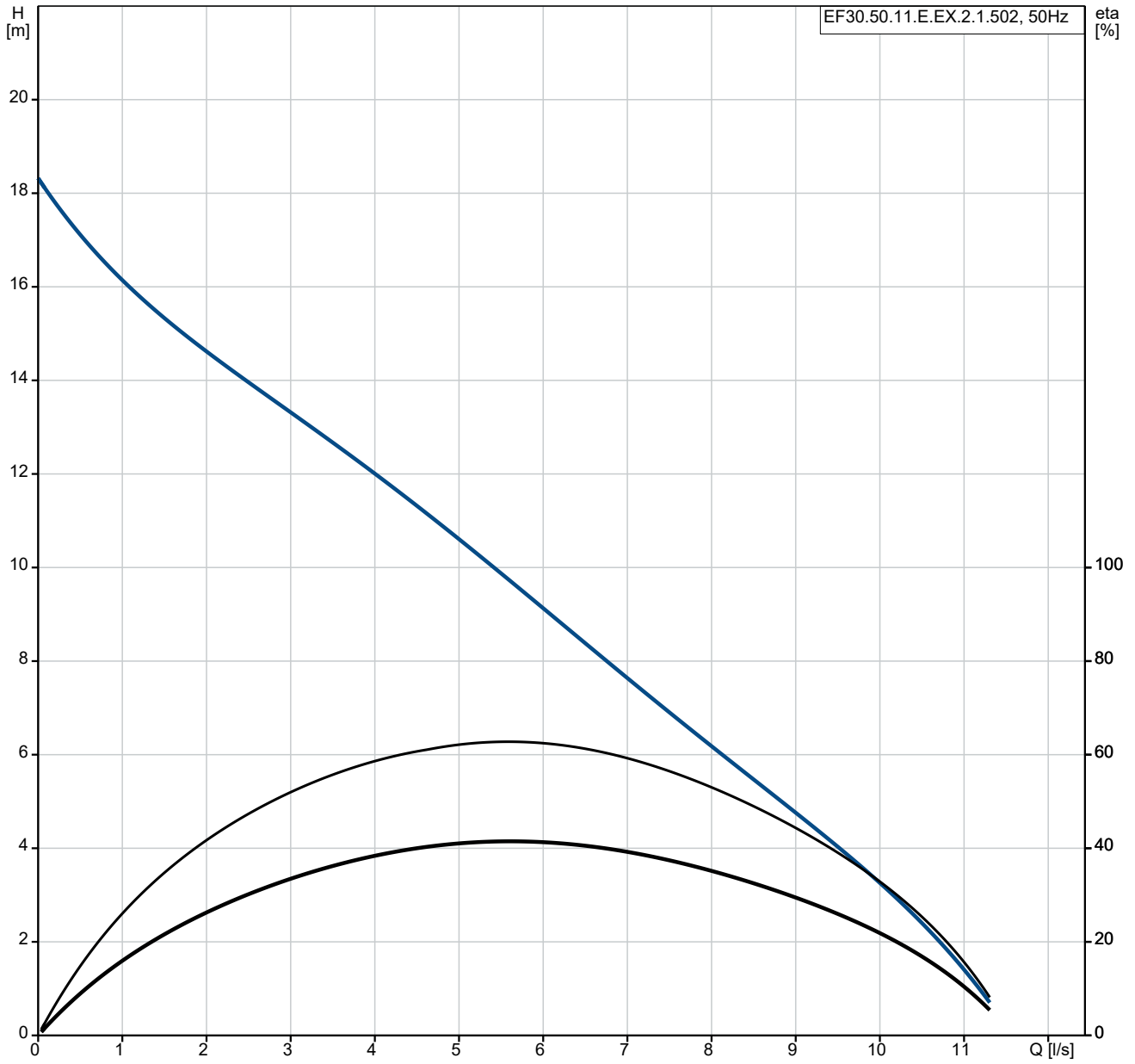
Moisture sensor: without moisture sensors

Water-in-oil sensor: without water-in-oil sensor

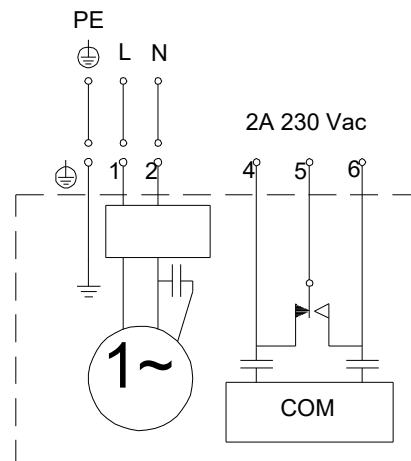
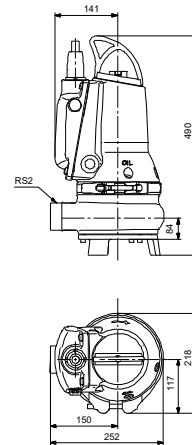
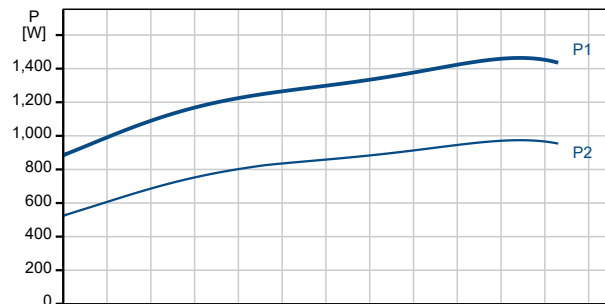
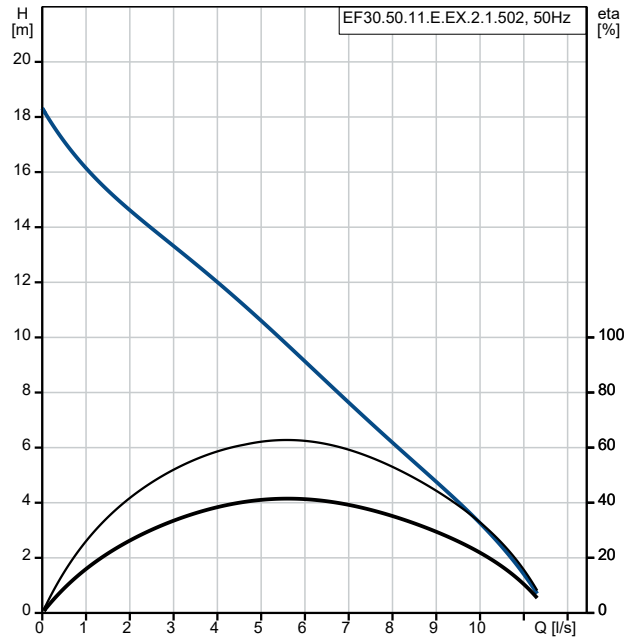
AUTOADAPT with/without (Yes/No): YES

Qty.	Description
1	<p>Liquid: Liquid temperature range: 0 .. 40 °C Density: 998.2 kg/m³</p> <p>Technical: Max flow: 12 l/s Type of impeller: SEMI OPEN Maximum particle size: 30 mm Primary shaft seal: SIC/SIC Max. hydraulic efficiency: 62 % Curve tolerance: ISO9906:2012 3B2</p> <p>Materials: Pump housing: Cast iron EN-JL-1030 Impeller: Cast iron EN-GJS-500-7</p> <p>Installation: t max amb: 40 °C Maximum operating pressure: 6 bar Pump outlet: R 2 Maximum installation depth: 10 m Auto-coupling: Y</p> <p>Electrical data: Power input - P1: 1.6 kW Rated power - P2: 1.1 kW Mains frequency: 50 Hz Rated voltage: 1 x 230 V Voltage tolerance: +6/-10 % Max starts per. hour: 30 Rated current: 7.4 A Rated current at 3/4 load: 5.8 A Rated current at 1/2 load: 4.5 A Starting current: 38 A Rated current at no load: 2.6 A Cos phi - power factor: 0.97 Cos phi - p.f. at 3/4 load: 0.96 Cos phi - p.f. at 1/2 load: 0.89 Rated speed: 2830 rpm Locked-rotor torque: 6.5 Nm Breakdown torque: 7 Nm Moment of inertia: 0.0037 kg m² Motor efficiency at full load: 67 % Motor efficiency at 3/4 load: 66 % Motor efficiency at 1/2 load: 60 % Capacitor size - run: 20 µF Number of poles: 2 Start. method: direct-on-line Enclosure class (IEC 34-5): IP68 Insulation class (IEC 85): F Explosion proof: yes Length of cable: 10 m Cable type: LYNIFLEX Type of cable plug: No plug</p> <p>Others: Net weight: 38 kg Danish VVS No.: 391292662 Country of origin: HU Custom tariff no.: 84137021</p>

96878446 EF30.50.11.E.EX.2.1.502 50 Hz

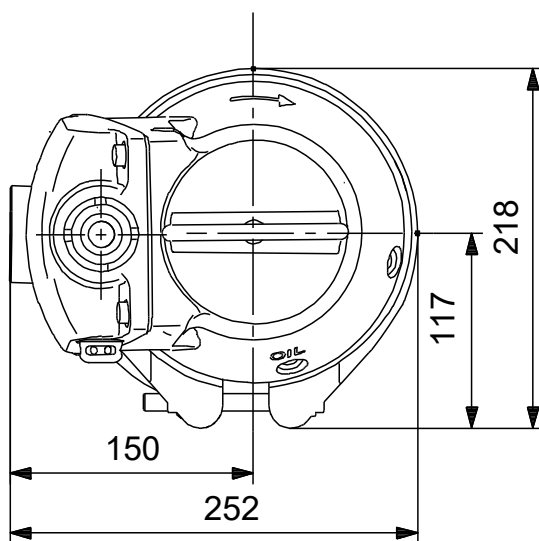
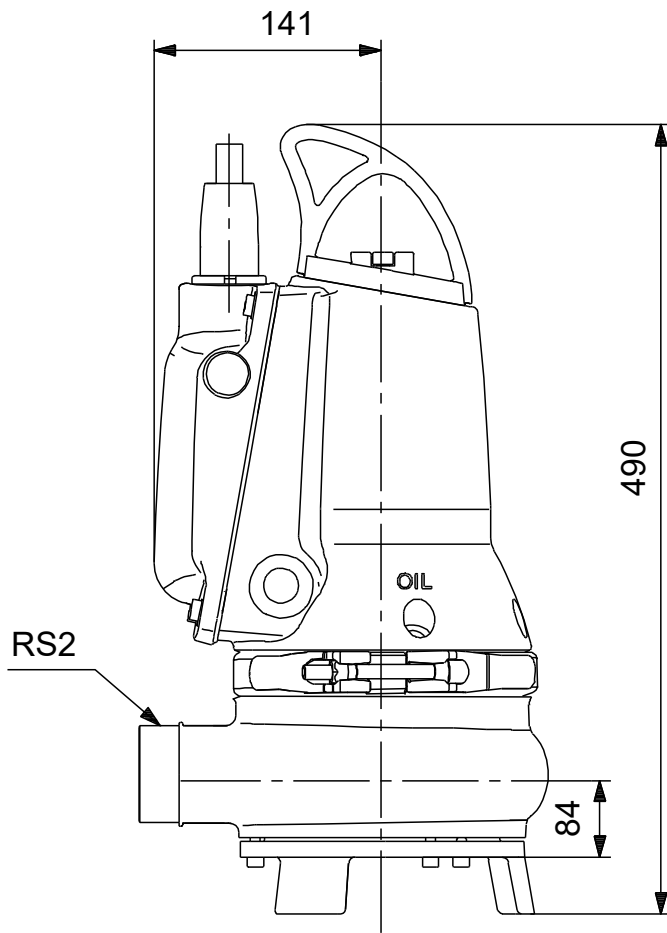


Description	Value
General information:	
Product name:	EF30.50.11.E.EX.2.1.502
Product No:	96878446
EAN number:	5700312550242
Technical:	
Max flow:	12 l/s
Head max:	19.3 m
Type of impeller:	SEMI OPEN
Maximum particle size:	30 mm
Primary shaft seal:	SIC/SIC
Max. hydraulic efficiency:	62 %
Curve tolerance:	ISO9906:2012 3B2
Materials:	
Pump housing:	Cast iron
Pump housing:	EN-JL-1030
Impeller:	Cast iron
Impeller:	EN-GJS-500-7
Installation:	
t max amb:	40 °C
Maximum operating pressure:	6 bar
Pump outlet:	R 2
Maximum installation depth:	10 m
Inst dry/wet:	S
Installation:	vertical
Auto-coupling:	Y
Liquid:	
Liquid temperature range:	0 .. 40 °C
Density:	998.2 kg/m ³
Electrical data:	
Power input - P1:	1.6 kW
Rated power - P2:	1.1 kW
Mains frequency:	50 Hz
Rated voltage:	1 x 230 V
Voltage tolerance:	+6/-10 %
Max starts per. hour:	30
Rated current:	7.4 A
Rated current at 3/4 load:	5.8 A
Rated current at 1/2 load:	4.5 A
Starting current:	38 A
Rated current at no load:	2.6 A
Cos phi - power factor:	0.97
Cos phi - p.f. at 3/4 load:	0.96
Cos phi - p.f. at 1/2 load:	0.89
Rated speed:	2830 rpm
Locked-rotor torque:	6.5 Nm
Breakdown torque:	7 Nm
Moment of inertia:	0.0037 kg m ²
Motor efficiency at full load:	67 %
Motor efficiency at 3/4 load:	66 %
Motor efficiency at 1/2 load:	60 %
Capacitor size - run:	20 µF
Number of poles:	2
Start. method:	direct-on-line
Enclosure class (IEC 34-5):	IP68
Insulation class (IEC 85):	F
Explosion proof:	yes
Built-in motor protection:	THERMAL SWITCH
Length of cable:	10 m
Cable type:	LYNIFLEX
Type of cable plug:	No plug
Controls:	
Control box:	not included
Additional I/O:	Build in
Moisture sensor:	without moisture sensors



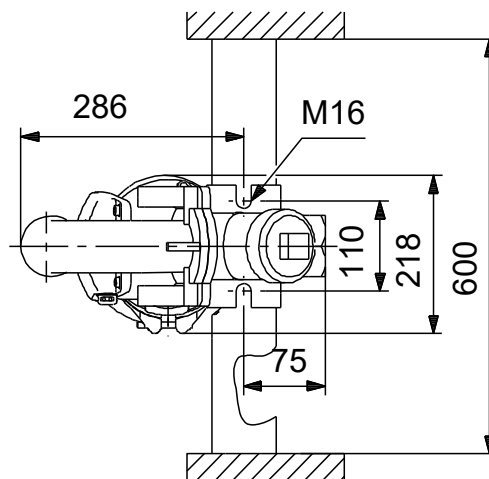
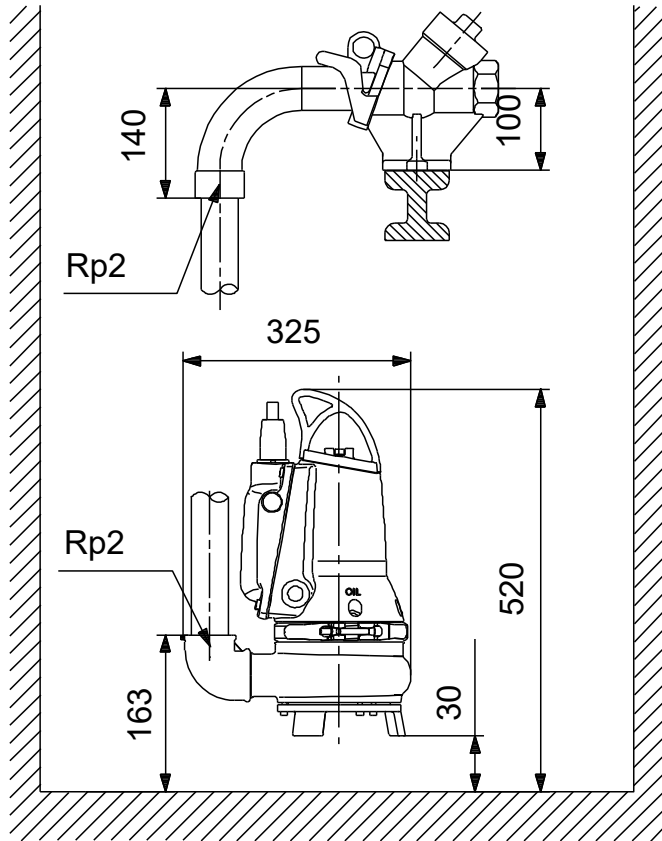
Description	Value
Water-in-oil sensor:	without water-in-oil sensor
AUTOADAPT with/without (Yes/No):	YES
Others:	
Net weight:	38 kg
Danish VVS No.:	391292662
Country of origin:	HU
Custom tariff no.:	84137021

96878446 EF30.50.11.E.EX.2.1.502 50 Hz



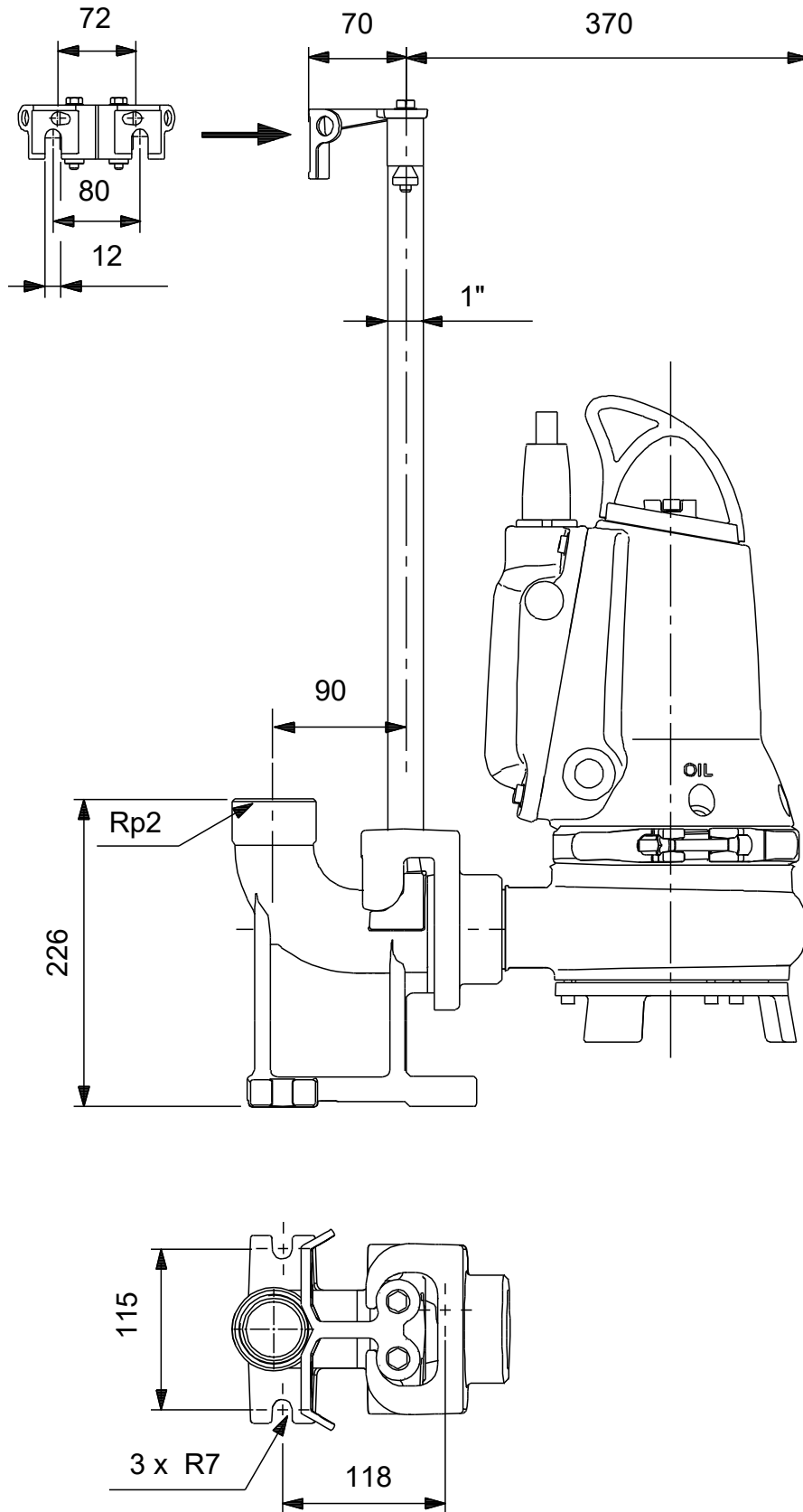
Note! All units are in [mm] unless others are stated.
Disclaimer: This simplified dimensional drawing does not show all details.

96878446 EF30.50.11.E.EX.2.1.502 50 Hz

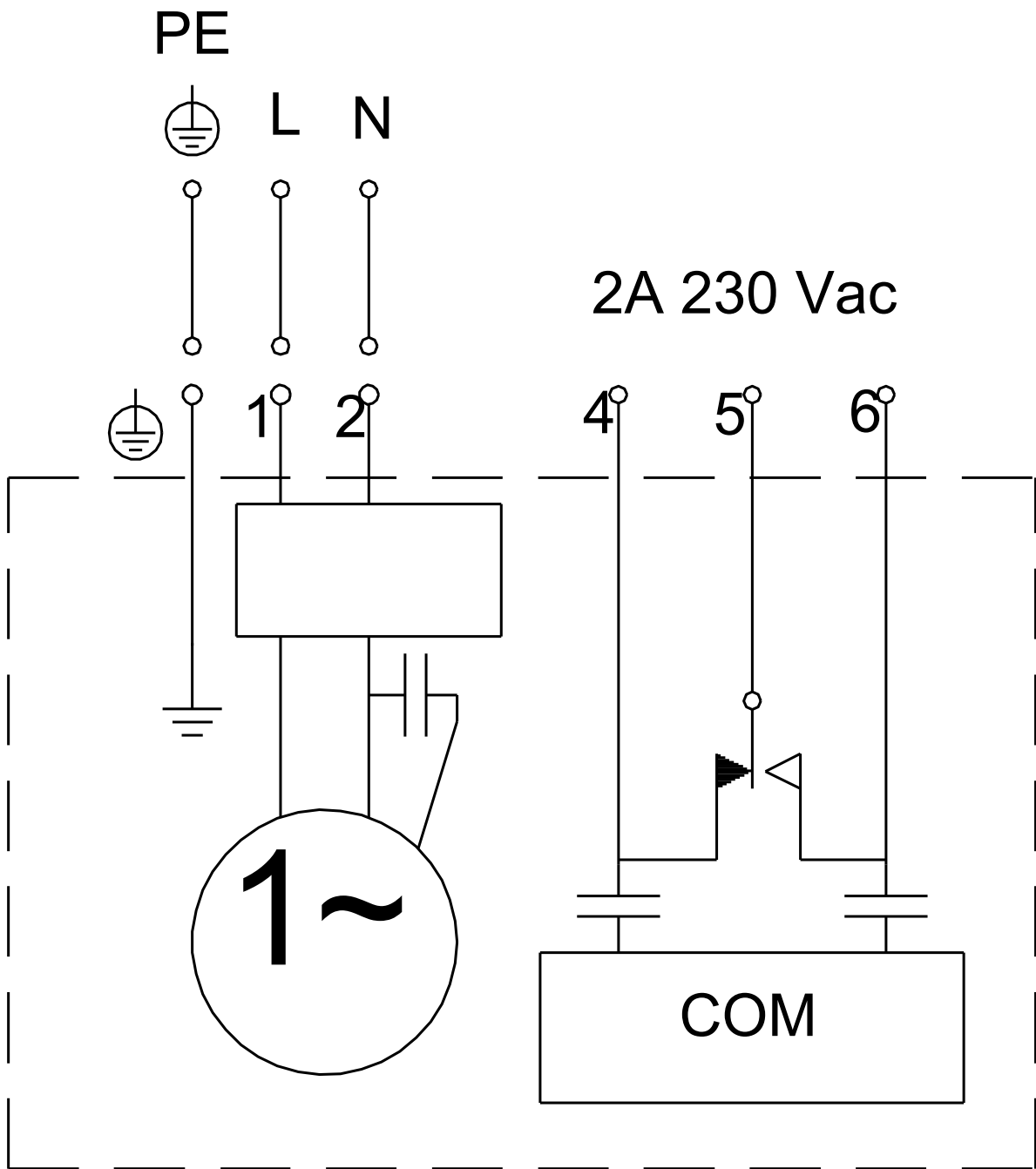


Note! All units are in [mm] unless others are stated.
Disclaimer: This simplified dimensional drawing does not show all details.

96878446 EF30.50.11.E.EX.2.1.502 50 Hz



Note! All units are in [mm] unless others are stated.
Disclaimer: This simplified dimensional drawing does not show all details.



Note! All units are in [mm] unless others are stated.

Order Data:

Position	Your pos.	Product name	Amount	Product No	Total
		EF30.50.11.E.EX.2.1.502	1	96878446	Price on request